



Low PIM 4.3-10 Male to 4.3-10 Male Adapter

RF Adapters Technical Data Sheet

PE91385

Configuration

- 4.3-10 Male Connector 1
- 4.3-10 Male Connector 2
- 50 Ohm
- Low PIM Design
- Straight Body Geometry

Features

- Max VSWR of 1.08:1 up to 6 GHz
- PIM levels lower than -166 dBc
- Silver Plated Bronze Contact
- Low Coupling Torque
- Corrosion Resistant Tri-Metal Finish

Applications

- General Purpose Test
- Low PIM Applications
- Mobile Communications Systems
- Base Stations
- Distributed Antenna Systems (DAS)
- Small Cells
- Feeder Cables

Description

Pasternack's PE91385 4.3-10 male to 4.3-10 male adapter is part of our full line of RF components available for same-day shipping. Our 4.3-10 to 4.3-10 adapter has a male to male gender configuration in a low PIM design. PE91385 4.3-10 male to 4.3-10 male adapter operates to 6 GHz. The Pasternack RF adapter provides excellent VSWR of 1.08:1 maximum and passive intermodulation of -166 dBc maximum.

RF adapters are often used to enable connections between two connector types that would otherwise not mate. Certain adapter configurations can also be used to protect connectors on expensive equipment where the number of connect/disconnect cycles is high. An RF, microwave or millimeter wave adapter is connected to the equipment, and the commonly changed connection is made with the adapter which can be easily replaced when it wears out after high usage; such adapters are referred to as connector savers. Pasternack also offers bulkhead, panel mount, hermetically sealed, reverse polarity, and isolated ground adapter varieties to serve all of your RF, microwave and millimeter wave needs.

Electrical Specifications

Description	Minimum	Typical	Maximum	Units
Frequency Range	DC		6	GHz
VSWR			1.08:1	
Insertion Loss			0.13	dB
Passive Intermodulation			-166	dBc
Operating Voltage (AC)			1,000	Vrms
Dielectric Withstanding Voltage (AC)			2,500	Vrms
Insulation Resistance	5,000			MOhms

Click the following link (or enter part number in "SEARCH" on website) to obtain additional part information including price, inventory and certifications: [Low PIM 4.3-10 Male to 4.3-10 Male Adapter PE91385](#)



Low PIM 4.3-10 Male to 4.3-10 Male Adapter

RF Adapters Technical Data Sheet

PE91385

Mechanical Specifications

Size

Length	1.34 in [34.04 mm]
Width	0.86 in [21.84 mm]
Weight	0.117 lbs [53.07 g]

Description	Connector 1	Connector 2
Type	4.3-10 Male	4.3-10 Male
Polarity	Standard	Standard
Mating Cycles	100	100
Hex Size	22 mm	22 mm
Contact Retention Force, Min	6 lbs [2.72 Kg]	6 lbs [2.72 Kg]

Material Specifications

Description	Connector 1		Connector 2	
	Material	Plating	Material	Plating
Type	4.3-10 Male		4.3-10 Male	
Contact	Bronze	Silver	Bronze	Silver
Insulation	PTFE		PTFE	
Body	Brass	Tri-Metal	Brass	Tri-Metal
Gasket	Silicone			
Coupling Nut	Brass	Tri-Metal	Brass	Tri-Metal

Environmental Specifications

Temperature

Operating Range	-55 to +90 deg C
-----------------	------------------

Compliance Certifications (see [product page](#) for current document)

Plotted and Other Data

Notes:

Click the following link (or enter part number in "SEARCH" on website) to obtain additional part information including price, inventory and certifications: [Low PIM 4.3-10 Male to 4.3-10 Male Adapter PE91385](#)





Low PIM 4.3-10 Male to 4.3-10 Male Adapter

RF Adapters Technical Data Sheet

PE91385

Low PIM 4.3-10 Male to 4.3-10 Male Adapter from Pasternack Enterprises has same day shipment for domestic and International orders. Our RF, microwave and millimeter wave products maintain a 99.4% availability and are part of the broadest selection in the industry.

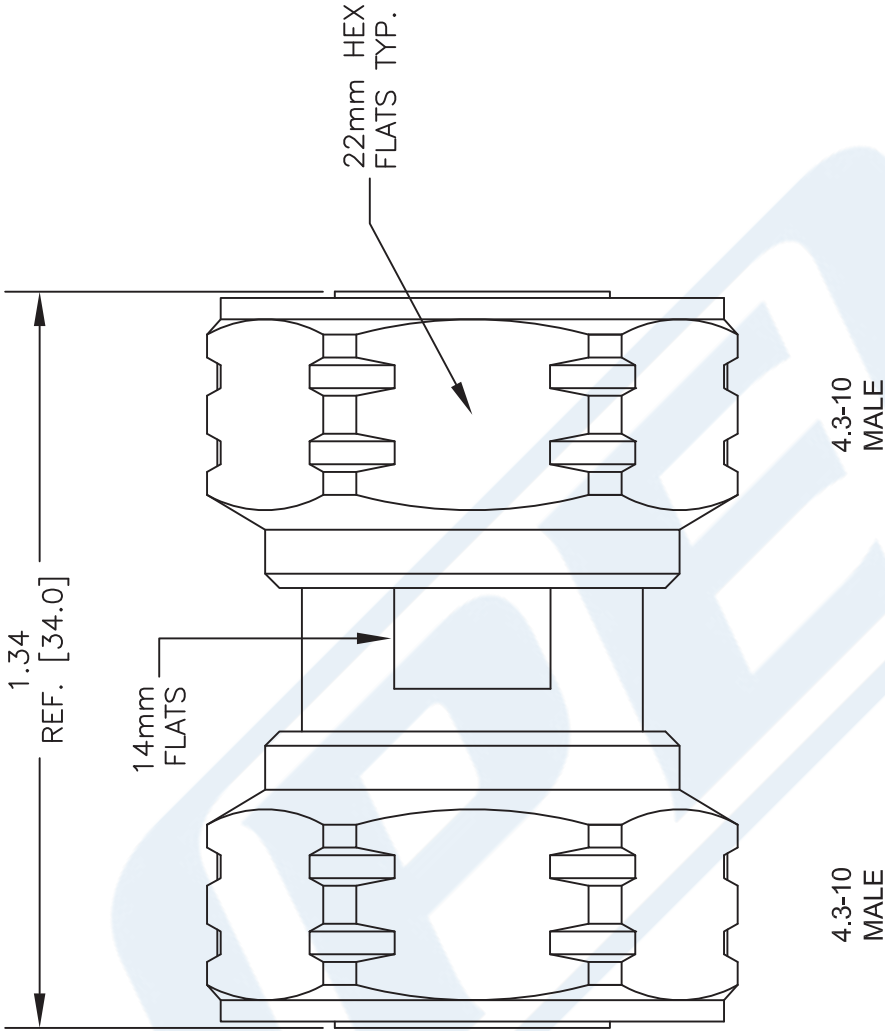
Click the following link (or enter part number in "SEARCH" on website) to obtain additional part information including price, inventory and certifications: [Low PIM 4.3-10 Male to 4.3-10 Male Adapter PE91385](#)

URL: <https://www.pasternack.com/4.3-10-male-4.3-10-male-straight-adapter-pe91385-p.aspx>

The information contained in this document is accurate to the best of our knowledge and representative of the part described herein. It may be necessary to make modifications to the part and/or the documentation of the part, in order to implement improvements. Pasternack reserves the right to make such changes as required. Unless otherwise stated, all specifications are nominal. Pasternack does not make any representation or warranty regarding the suitability of the part described herein for any particular purpose, and Pasternack does not assume any liability arising out of the use of any part or documentation.

PE91385 CAD Drawing

Low PIM 4.3-10 Male to 4.3-10 Male Adapter



STANDARD TOLERANCES

.X ±0.2
.XX ±0.1
.XXX ±0.05

*STANDARD TOLERANCES APPLY ONLY TO DIMENSIONS IN INCHES



Pasternack Enterprises, Inc.
P.O. Box 16759 | Irvine | CA | 92623
Phone: (949) 261-1920 | Fax: (949) 261-7451
Website: www.pasternack.com | E-Mail: sales@pasternack.com

DWG TITLE

PE91385

NOTES:
1. UNLESS OTHERWISE SPECIFIED ALL DIMENSIONS ARE NOMINAL.
2. ALL SPECIFICATIONS ARE SUBJECT TO CHANGE WITHOUT NOTICE AT ANY TIME.
3. DIMENSIONS ARE IN INCHES [mm].

CAGE CODE 53919

CAD FILE 110416

SCALE N/A

SIZE A

2233