



Reverse Polarity SMA Female to
Reverse Polarity SMA Female Adapter

RF Adapters Technical Data Sheet

PE91334

Configuration

Connector 1	SMA Female Reverse Polarity
Connector 2	SMA Female Reverse Polarity
Impedance	50 Ohms
Body Style	Straight

Electrical Specifications

Description	Minimum	Typical	Maximum	Units
Frequency Range	DC		6	GHz
VSWR			1.35:1	

Mechanical Specifications

Size	
Length	0.5 in [12.7 mm]
Width	0.25 in [6.35 mm]

Material Specifications

Description	Connector 1		Connector 2	
	Material	Plating	Material	Plating
Type	SMA Female Reverse Polarity		SMA Female Reverse Polarity	
Contact	Brass	Gold	Brass	Gold
Outer Conductor	Passivated Stainless Steel	Gold	Passivated Stainless Steel	Gold
Body	Passivated Stainless Steel	Gold	Passivated Stainless Steel	Gold

Environmental Specifications

Temperature	
Operating Range	-65 to 125 deg C

Compliance Certifications (visit www.Pasternack.com for current document)

RoHS Compliant	
REACH Compliant	06/18/2012

Click the following link (or enter part number in "SEARCH" on website) to obtain additional part information including price, inventory and certifications: [Reverse Polarity SMA Female to Reverse Polarity SMA Female Adapter PE91334](#)





Reverse Polarity SMA Female to
Reverse Polarity SMA Female Adapter

RF Adapters Technical Data Sheet

PE91334

Plotted and Other Data

Notes:

Reverse Polarity SMA Female to Reverse Polarity SMA Female Adapter from Pasternack Enterprises has same day shipment for domestic and International orders. Our RF, microwave and millimeter wave products maintain a 99% availability and are part of the broadest selection in the industry.

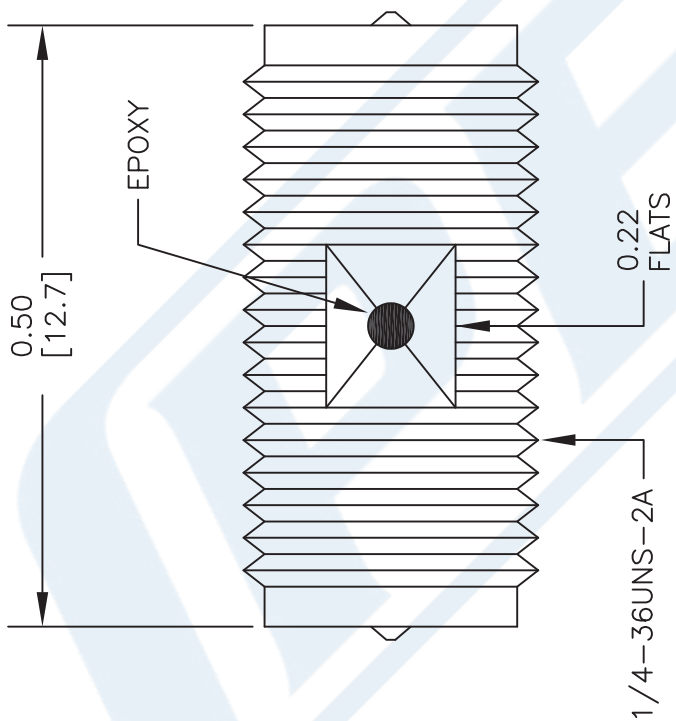
Click the following link (or enter part number in "SEARCH" on website) to obtain additional part information including price, inventory and certifications: [Reverse Polarity SMA Female to Reverse Polarity SMA Female Adapter PE91334](#)

URL: <http://www.pasternack.com/sma-female-sma-female-straight-adapter-pe91334-p.aspx>

The information contained in this document is accurate to the best of our knowledge and representative of the part described herein. It may be necessary to make modifications to the part and/or the documentation of the part, in order to implement improvements. Pasternack reserves the right to make such changes as required. Unless otherwise stated, all specifications are nominal. Pasternack does not make any representation or warranty regarding the suitability of the part described herein for any particular purpose, and Pasternack does not assume any liability arising out of the use of any part or documentation.

PE91334 CAD Drawing

Reverse Polarity SMA Female to Reverse Polarity SMA Female Adapter



DWG TITLE

PE91334

FSCM NO. 53919

NOTES:

1. UNLESS OTHERWISE SPECIFIED ALL DIMENSIONS ARE NOMINAL.
2. ALL SPECIFICATIONS ARE SUBJECT TO CHANGE WITHOUT NOTICE AT ANY TIME.
3. DIMENSIONS ARE IN INCHES [mm].

CAD FILE 101315

SCALE N/A

SIZE A

2233



Pasternack Enterprises, Inc.
P.O. Box 16759 | Irvine | CA | 92623
Phone: (949) 261-1920 | Fax: (949) 261-7451
Website: www.pasternack.com | E-Mail: sales@pasternack.com