



SMA Female to Mini SMP Female Adapter

TECHNICAL DATA SHEET

PE91301

Configuration

Connector 1	SMA Female
Impedance 1	50 Ohms
Connector 2	Mini SMP Female
Impedance 2	50 Ohms
Adapter Design	Standard
Body Style	Straight

Electrical Specifications

Frequency Range	DC to 18 GHz
Maximum VSWR	1.2:1

Mechanical Specifications

Size

Length, in [mm]	0.716 [18.19]
Width/Dia., in [mm]	0.275591 [7]

Connector 1

Type	SMA Female
Inner Conductor Material and Plating	Beryllium Copper, Gold
Body Material and Plating	Passivated Stainless Steel
Dielectric Type	PTFE

Connector 2

Type	Mini SMP Female
Inner Conductor Material and Plating	Beryllium Copper, Gold
Body Material and Plating	Beryllium Copper, Gold
Dielectric Type	PTFE

Environmental Specifications

Temperature

Operating Range	-45 to +120 deg C
-----------------	-------------------

Compliance Certifications (visit www.Pasternack.com for current document)

RoHS Compliant	
REACH Compliant	06/06/2014

Click the following link (or enter part number in "SEARCH" on website) to obtain additional part information including price, inventory and certifications: [SMA Female to Mini SMP Female Adapter PE91301](#)



SMA Female to Mini SMP Female Adapter

TECHNICAL DATA SHEET

PE91301

Plotted and Other Data

Notes:

- Values at +25 °C, sea level

SMA Female to Mini SMP Female Adapter from Pasternack Enterprises has same day shipment for domestic and International orders. Our RF, microwave and millimeter wave products maintain a 99% availability and are part of the broadest selection in the industry.

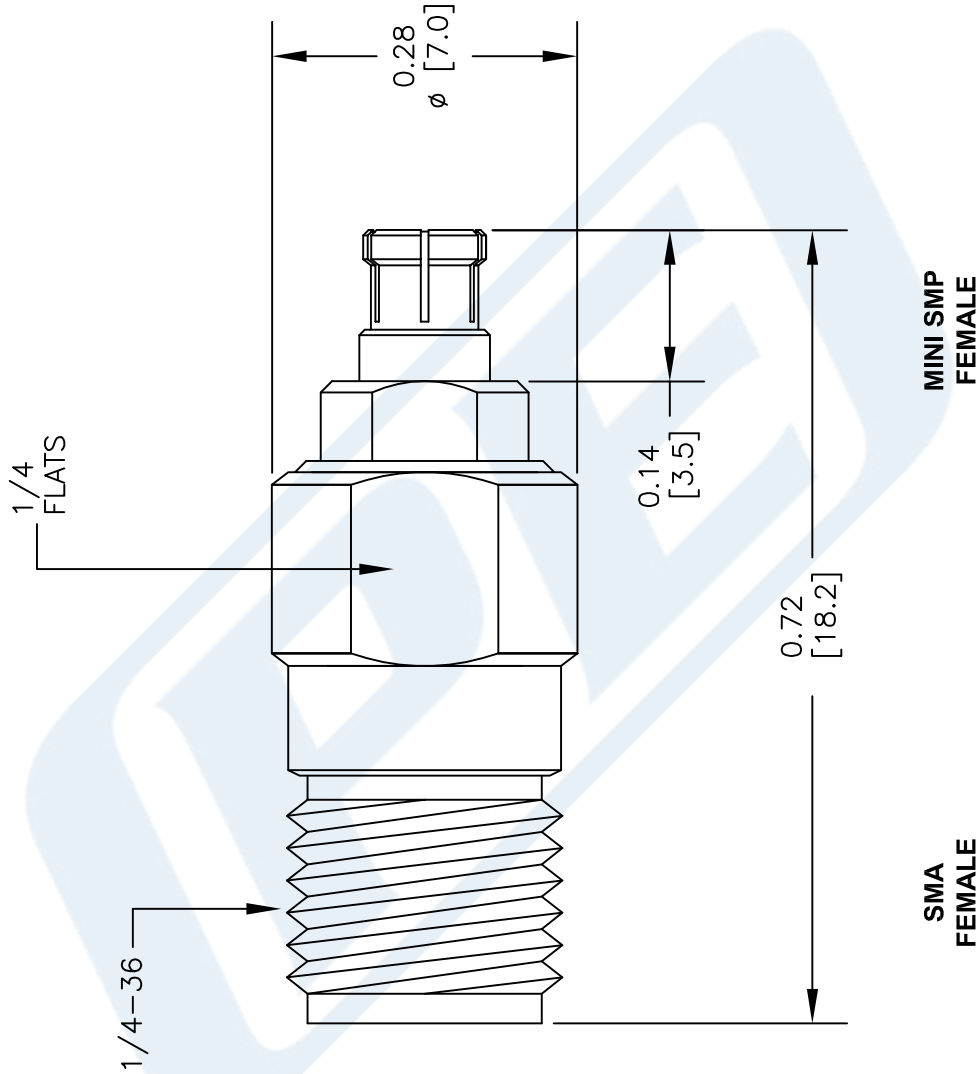
Click the following link (or enter part number in "SEARCH" on website) to obtain additional part information including price, inventory and certifications: [SMA Female to Mini SMP Female Adapter PE91301](#)

URL: <http://www.pasternack.com/sma-female-mini-smp-female-straight-adapter-pe91301-p.aspx>

The information contained in this document is accurate to the best of our knowledge and representative of the part described herein. It may be necessary to make modifications to the part and/or the documentation of the part, in order to implement improvements. Pasternack reserves the right to make such changes as required. Unless otherwise stated, all specifications are nominal. Pasternack does not make any representation or warranty regarding the suitability of the part described herein for any particular purpose, and Pasternack does not assume any liability arising out of the use of any part or documentation.

PE91301 CAD Drawing

SMA Female to Mini SMP Female Adapter



DWG TITLE

PE91301

NOTES:
 1. UNLESS OTHERWISE SPECIFIED ALL DIMENSIONS ARE NOMINAL.
 2. ALL SPECIFICATIONS ARE SUBJECT TO CHANGE WITHOUT NOTICE AT ANY TIME.
 3. DIMENSIONS ARE IN INCHES [mm].

FSCM NO. 53919

CAD FILE 100614

SCALE N/A

SIZE A

150



Pasternack Enterprises, Inc.
 P.O. Box 16759 | Irvine | CA | 92623
 Phone: (949) 261-1920 | Fax: (949) 261-7451
 Website: www.pasternack.com | E-Mail: sales@pasternack.com