



SMA Male to Reverse Polarity SMA Female Right Angle Adapter

TECHNICAL DATA SHEET

PE91264

**Configuration**

Connector 1	SMA Male
Impedance 1	50 Ohms
Connector Specification 1	MIL-STD-348
Connector 2	SMA Female Reverse Polarity
Impedance 2	50 Ohms
Adapter Design	Standard
Body Style	Right Angle

**Electrical Specifications**

Frequency Range	DC to 12.4 GHz
Maximum VSWR	1.23:1
Maximum Operating Voltage, Vrms	335
Dielectric Withstanding Voltage, Vrms	1,500
Minimum Insulation Resistance, mOhms	5,000

**Mechanical Specifications**

<b>Size</b>	
Length, in [mm]	0.62 [15.75]
Width/Dia., in [mm]	0.312 [7.92]
Height, in [mm]	0.583 [14.81]

**Connector 1**

Type	SMA Male
Inner Conductor Material and Plating	Beryllium Copper, Gold
Inner Conductor Plating Specification	MIL-G-45204
Coupling Nut Material and Plating	Passivated Stainless Steel
Coupling Nut Plating Specification	QQ-P-35
Hex Size, Inch	5/16
Body Material and Plating	Passivated Stainless Steel
Body Plating Specification	QQ-P-35
Dielectric Type	PTFE

**Connector 2**

Type	SMA Female Reverse Polarity
Inner Conductor Material and Plating	Beryllium Copper, Gold
Inner Conductor Plating Specification	MIL-G-45204
Body Material and Plating	Passivated Stainless Steel
Body Plating Specification	QQ-P-35
Dielectric Type	PTFE

**Environmental Specifications**

<b>Temperature</b>	
Operating Range	-65 to +165 deg C

Click the following link (or enter part number in "SEARCH" on website) to obtain additional part information including price, inventory and certifications: [SMA Male to Reverse Polarity SMA Female Right Angle Adapter PE91264](#)





## SMA Male to Reverse Polarity SMA Female Right Angle Adapter

### TECHNICAL DATA SHEET

PE91264

**Compliance Certifications** (visit [www.Pasternack.com](http://www.Pasternack.com) for current document)  
Not RoHS Compliant

**Plotted and Other Data**

Notes:

- Values at +25 °C, sea level

SMA Male to Reverse Polarity SMA Female Right Angle Adapter from Pasternack Enterprises has same day shipment for domestic and International orders. Our RF, microwave and millimeter wave products maintain a 99% availability and are part of the broadest selection in the industry.

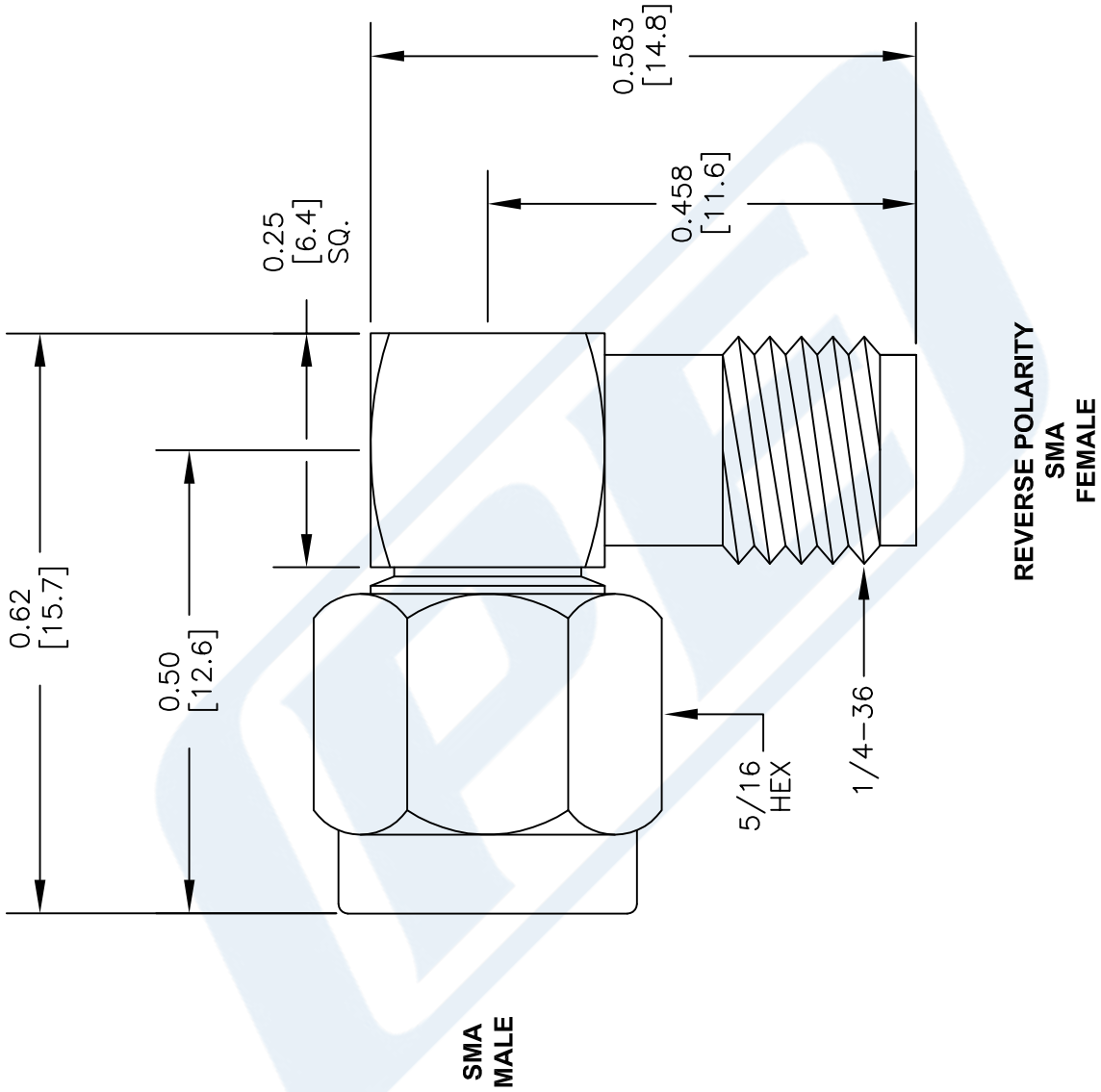
Click the following link (or enter part number in "SEARCH" on website) to obtain additional part information including price, inventory and certifications: [SMA Male to Reverse Polarity SMA Female Right Angle Adapter PE91264](#)

URL: <http://www.pasternack.com/sma-male-sma-female-right-angle-adapter-pe91264-p.aspx>

The information contained in this document is accurate to the best of our knowledge and representative of the part described herein. It may be necessary to make modifications to the part and/or the documentation of the part, in order to implement improvements. Pasternack reserves the right to make such changes as required. Unless otherwise stated, all specifications are nominal. Pasternack does not make any representation or warranty regarding the suitability of the part described herein for any particular purpose, and Pasternack does not assume any liability arising out of the use of any part or documentation.

# PE91264 CAD Drawing

SMA Male to Reverse Polarity SMA Female Right Angle Adapter



NOTES:  
 1. UNLESS OTHERWISE SPECIFIED ALL DIMENSIONS ARE NOMINAL.  
 2. ALL SPECIFICATIONS ARE SUBJECT TO CHANGE WITHOUT NOTICE AT ANY TIME.  
 3. DIMENSIONS ARE IN INCHES [mm].

DWG TITLE  
**PE91264**

FSCM NO. 53919

150

SIZE A

SCALE N/A

CAD FILE 122914

**PE PASTERNAK**  
 THE ENGINEER'S RF SOURCE  
 Pasternack Enterprises, Inc.  
 P.O. Box 16759 | Irvine | CA | 92623  
 Phone: (949) 261-1920 | Fax: (949) 261-7451  
 Website: www.pasternack.com | E-Mail: sales@pasternack.com