



Reverse Polarity SMA Male to SMA Female Right Angle Adapter

TECHNICAL DATA SHEET

PE91263

Configuration

Connector 1	SMA Male Reverse Polarity
Impedance 1	50 Ohms
Connector 2	SMA Female
Impedance 2	50 Ohms
Connector Specification 2	MIL-STD-348
Adapter Design	Standard
Body Style	Right Angle

Electrical Specifications

Frequency Range	DC to 12.4 GHz
Maximum VSWR	1.23:1
Dielectric Withstanding Voltage, Vrms	1,500

Mechanical Specifications

Size

Length, in [mm]	0.62 [15.75]
Width/Dia., in [mm]	0.312 [7.92]
Height, in [mm]	0.583 [14.81]

Connector 1

Type	SMA Male Reverse Polarity
Inner Conductor Material and Plating	Beryllium Copper, Gold
Inner Conductor Plating Specification	MIL-G-45204
Coupling Nut Material and Plating	Passivated Stainless Steel
Coupling Nut Plating Specification	QQ-P-35
Hex Size, Inch	16-May
Body Material and Plating	Passivated Stainless Steel
Body Plating Specification	QQ-P-35
Dielectric Type	PTFE

Connector 2

Type	SMA Female
Inner Conductor Material and Plating	Beryllium Copper, Gold
Inner Conductor Plating Specification	MIL-G-45204
Body Material and Plating	Passivated Stainless Steel
Body Plating Specification	QQ-P-35
Dielectric Type	PTFE

Environmental Specifications

Temperature

Operating Range	-65 to +165 deg C
-----------------	-------------------

Compliance Certifications (visit www.Pasternack.com for current document)

Not RoHS Compliant

Click the following link (or enter part number in "SEARCH" on website) to obtain additional part information including price, inventory and certifications: [Reverse Polarity SMA Male to SMA Female Right Angle Adapter PE91263](#)





Reverse Polarity SMA Male to SMA Female Right Angle Adapter

TECHNICAL DATA SHEET

PE91263

Plotted and Other Data

Notes:

- Values at +25 °C, sea level

Reverse Polarity SMA Male to SMA Female Right Angle Adapter from Pasternack Enterprises has same day shipment for domestic and International orders. Our RF, microwave and millimeter wave products maintain a 99% availability and are part of the broadest selection in the industry.

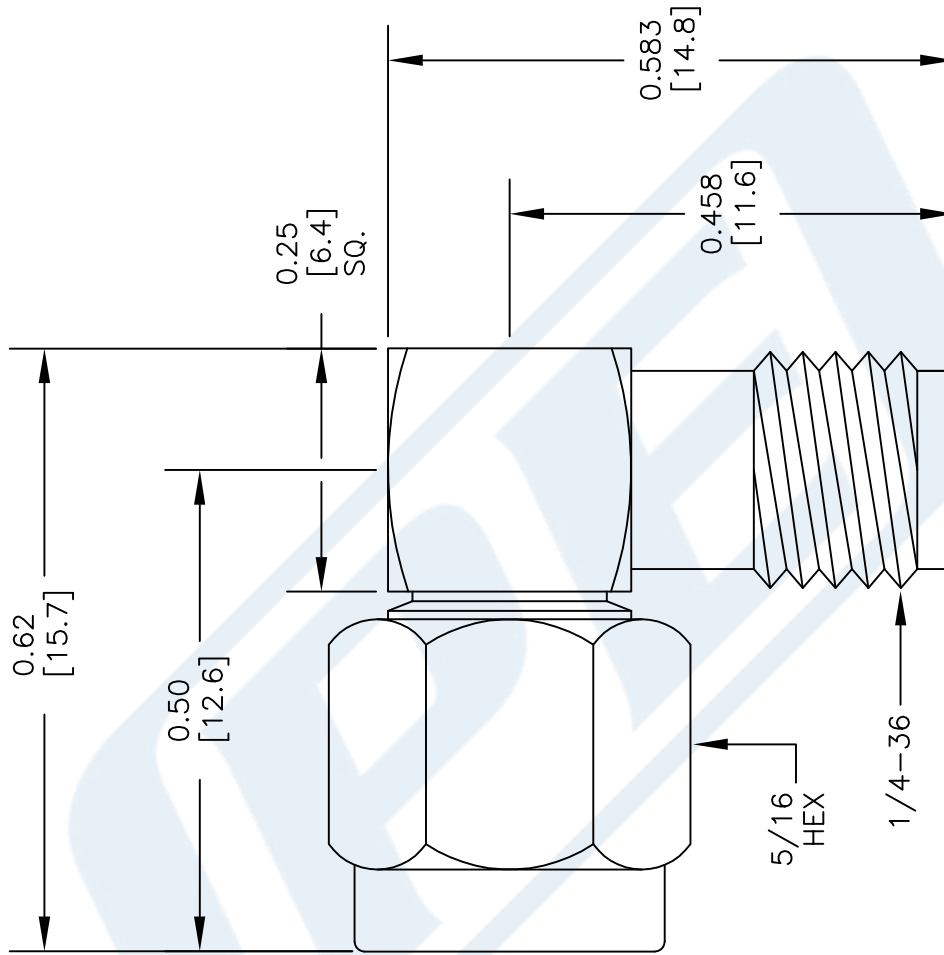
Click the following link (or enter part number in "SEARCH" on website) to obtain additional part information including price, inventory and certifications: [Reverse Polarity SMA Male to SMA Female Right Angle Adapter PE91263](#)

URL: <http://www.pasternack.com/sma-male-sma-female-right-angle-adapter-pe91263-p.aspx>

The information contained in this document is accurate to the best of our knowledge and representative of the part described herein. It may be necessary to make modifications to the part and/or the documentation of the part, in order to implement improvements. Pasternack reserves the right to make such changes as required. Unless otherwise stated, all specifications are nominal. Pasternack does not make any representation or warranty regarding the suitability of the part described herein for any particular purpose, and Pasternack does not assume any liability arising out of the use of any part or documentation.

PE91263 CAD Drawing

Reverse Polarity SMA Male to SMA Female Right Angle Adapter



DWG TITLE

PE91263

NOTES:
 1. UNLESS OTHERWISE SPECIFIED ALL DIMENSIONS ARE NOMINAL.
 2. ALL SPECIFICATIONS ARE SUBJECT TO CHANGE WITHOUT NOTICE AT ANY TIME.
 3. DIMENSIONS ARE IN INCHES [mm].

FSCM NO. 53919

CAD FILE 091114

SCALE N/A

SIZE A

150



Pasternack Enterprises, Inc.
 P.O. Box 16759 | Irvine | CA | 92623
 Phone: (949) 261-1920 | Fax: (949) 261-7451
 Website: www.pasternack.com | E-Mail: sales@pasternack.com