



## SMA Male to SMA Female Radius Right Angle Adapter Functional Up to 18 GHz

### RF Adapters Technical Data Sheet

PE91225

#### Configuration

- SMA Male Connector 1
- SMA Female Connector 2
- 50 Ohms
- Radius Right Angle Body Geometry

#### Features

- Max VSWR of 1.25:1 up to 18 GHz
- SMA Interface compliant with MIL-STD-348
- Gold Plated Beryllium Copper Contact

#### Applications

- General Purpose Test
- Precision Test & Measurement

#### Description

Pasternack's PE91225 SMA male to SMA female radius right angle adapter is part of our full line of RF components available for same-day shipping. The SMA connector mates mechanically with commercially available 3.5mm and 2.92mm (K) connectors. Our SMA to SMA adapter has a male to female gender configuration. PE91225 SMA male to SMA female adapter operates to 18 GHz. The Pasternack RF adapter provides excellent VSWR of 1.25:1 maximum. This low profile radius right angle SMA adapter allows for easier connections in tight spaces.

RF adapters are often used to enable connections between two connector types that would otherwise not mate. Certain adapter configurations can also be used to protect connectors on expensive equipment where the number of connect/disconnect cycles is high. An RF, microwave or millimeter wave adapter is connected to the equipment, and the commonly changed connection is made with the adapter which can be easily replaced when it wears out after high usage; such adapters are referred to as connector savers. Pasternack also offers bulkhead, panel mount, hermetically sealed, reverse polarity, and isolated ground adapter varieties to serve all of your RF, microwave and millimeter wave needs.

#### Electrical Specifications

Description	Minimum	Typical	Maximum	Units
Frequency Range	DC		18	GHz
VSWR			1.25:1	
Insertion Loss		0.65		dB

Electrical Specification Notes:  
 Values at 25°C, sea level.

#### Mechanical Specifications

<b>Size</b>	
Length	0.78 in [19.81 mm]
Width	0.78 in [19.81 mm]
Height	0.312 in [7.92 mm]
Weight	0.013 lbs [5.9 g]

Click the following link (or enter part number in "SEARCH" on website) to obtain additional part information including price, inventory and certifications: [SMA Male to SMA Female Radius Right Angle Adapter Functional Up to 18 GHz PE91225](#)



SMA Male to SMA Female Radius Right Angle  
 Adapter Functional Up to 18 GHz

RF Adapters Technical Data Sheet

PE91225

Description	Connector 1	Connector 2
Type	SMA Male	SMA Female
Polarity	Standard	Standard
Interface Specification	MIL-STD-348	MIL-STD-348
Hex Size	5/16 in.	
Mating Torque	8 to 10 in-lbs [0.90 to 1.13 Nm]	

**Material Specifications**

Description	Connector 1		Connector 2	
	Material	Plating	Material	Plating
Type	SMA Male		SMA Female	
Contact	Beryllium Copper	Gold	Beryllium Copper	Gold
Insulation	PTFE		PTFE	
Outer Conductor	Passivated Stainless Steel			
Body	Passivated Stainless Steel			
Coupling Nut	Passivated Stainless Steel			

**Environmental Specifications**

**Temperature**

Operating Range -65 to +125 deg C

**Compliance Certifications** (see [product page](#) for current document)

**Plotted and Other Data**

Notes:

Click the following link (or enter part number in "SEARCH" on website) to obtain additional part information including price, inventory and certifications: [SMA Male to SMA Female Radius Right Angle Adapter Functional Up to 18 GHz PE91225](#)



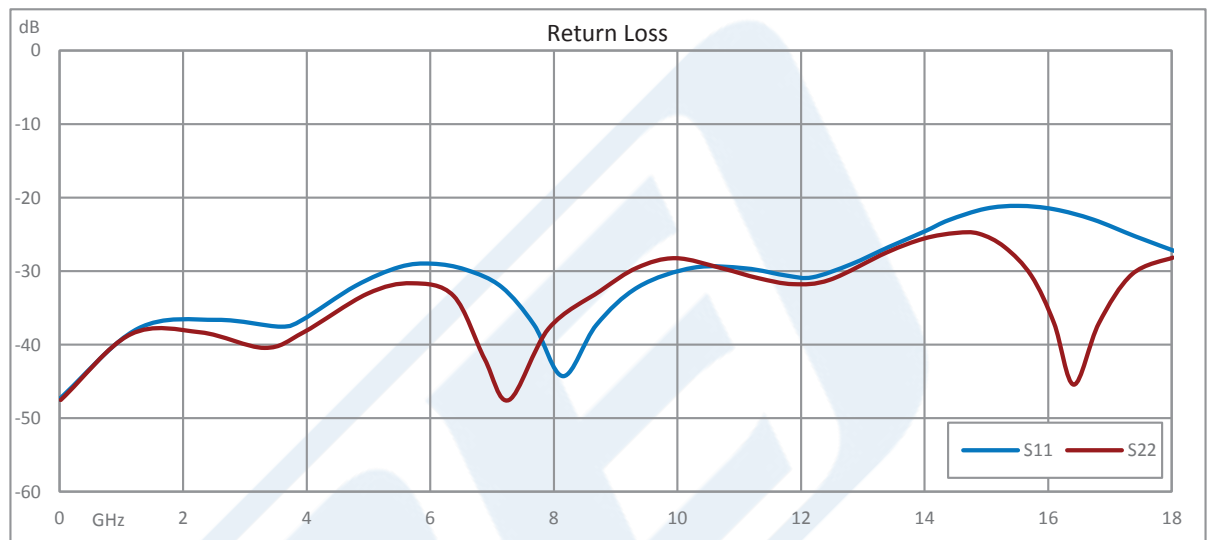


## SMA Male to SMA Female Radius Right Angle Adapter Functional Up to 18 GHz

### RF Adapters Technical Data Sheet

PE91225

#### Typical Performance Data



SMA Male to SMA Female Radius Right Angle Adapter Functional Up to 18 GHz from Pasternack Enterprises has same day shipment for domestic and International orders. Our RF, microwave and millimeter wave products maintain a 99% availability and are part of the broadest selection in the industry.

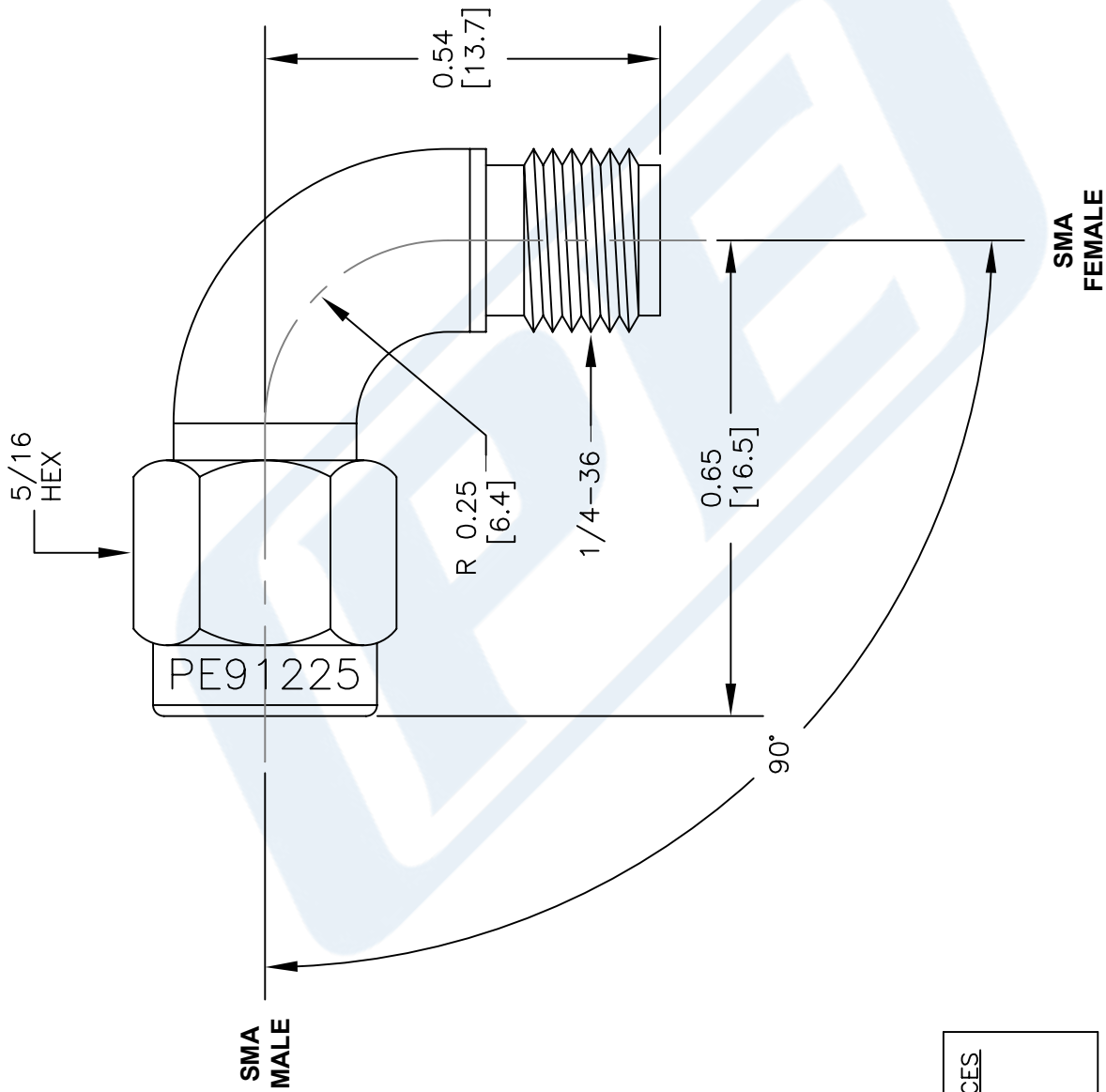
Click the following link (or enter part number in "SEARCH" on website) to obtain additional part information including price, inventory and certifications: [SMA Male to SMA Female Radius Right Angle Adapter Functional Up to 18 GHz PE91225](https://www.pasternack.com/sma-male-sma-female-swept-right-angle-adapter-pe91225-p.aspx)

URL: <https://www.pasternack.com/sma-male-sma-female-swept-right-angle-adapter-pe91225-p.aspx>

The information contained in this document is accurate to the best of our knowledge and representative of the part described herein. It may be necessary to make modifications to the part and/or the documentation of the part, in order to implement improvements. Pasternack reserves the right to make such changes as required. Unless otherwise stated, all specifications are nominal. Pasternack does not make any representation or warranty regarding the suitability of the part described herein for any particular purpose, and Pasternack does not assume any liability arising out of the use of any part or documentation.

# PE91225 CAD Drawing

SMA Male to SMA Female Radius Right Angle Adapter Functional Up to 18 GHz



STANDARD TOLERANCES	
.X	±0.05
.XX	±0.03
.XXX	±0.010

\*STANDARD TOLERANCES APPLY ONLY TO DIMENSIONS IN INCHES

NOTES:  
 1. UNLESS OTHERWISE SPECIFIED ALL DIMENSIONS ARE NOMINAL.  
 2. ALL SPECIFICATIONS ARE SUBJECT TO CHANGE WITHOUT NOTICE AT ANY TIME.  
 3. DIMENSIONS ARE IN INCHES [mm].

DWG TITLE  
**PE91225**

**PE PASTERNAK**  
 THE ENGINEER'S RF SOURCE  
 Pasternack Enterprises, Inc.  
 P.O. Box 16759 | Irvine | CA | 92623  
 Phone: (949) 261-1920 | Fax: (949) 261-7451  
 Website: www.pasternack.com | E-Mail: sales@pasternack.com

FSCM NO. 53919

CAD FILE 040116 SCALE N/A SIZE A 3045