



4.1/9.5 Mini DIN Female to N Female Adapter IP67 Mated

TECHNICAL DATA SHEET

PE91218

Configuration

Connector 1	4.1/9.5 Mini DIN Female
Impedance 1	50 Ohms
Connector 2	N Female
Impedance 2	50 Ohms
Adapter Design	Standard
Body Style	Straight

Electrical Specifications

Frequency Range	DC to 6 GHz
Maximum VSWR	1.25:1

Frequency 1

Frequency, GHz	DC to 3
VSWR	1.1:1
Return Loss, dB	26.4

Frequency 2

Frequency, GHz	3 to 4
VSWR	1.15:1
Return Loss, dB	23.13

Mechanical Specifications

Size

Length, in [mm]	1.756 [44.6]
-----------------	--------------

Connector 1

Type	4.1/9.5 Mini DIN Female
Inner Conductor Material and Plating	Beryllium Copper, Silver
Body Material and Plating	Brass, Tri-Metal
Dielectric Type	PTFE

Connector 2

Type	N Female
Inner Conductor Material and Plating	Beryllium Copper, Silver
Body Material and Plating	Brass, Tri-Metal
Dielectric Type	PTFE

Environmental Specifications

Temperature

Operating Range	-55 to +120 deg C
-----------------	-------------------

Ingress Protection	IP67 Mated
--------------------	------------

Compliance Certifications (visit www.Pasternack.com for current document)

RoHS Compliant

Click the following link (or enter part number in "SEARCH" on website) to obtain additional part information including price, inventory and certifications: [4.1/9.5 Mini DIN Female to N Female Adapter IP67 Mated PE91218](#)





4.1/9.5 Mini DIN Female to N Female Adapter IP67 Mated

TECHNICAL DATA SHEET

PE91218

Plotted and Other Data

Notes:

- Values at +25 °C, sea level

4.1/9.5 Mini DIN Female to N Female Adapter IP67 Mated from Pasternack Enterprises has same day shipment for domestic and International orders. Our RF, microwave and millimeter wave products maintain a 99% availability and are part of the broadest selection in the industry.

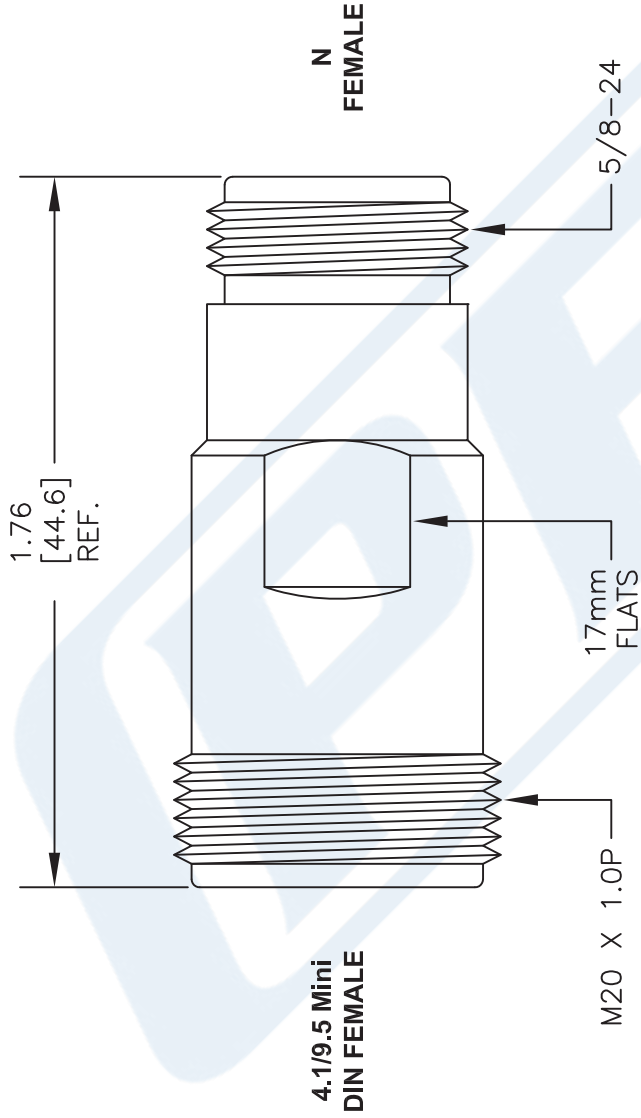
Click the following link (or enter part number in "SEARCH" on website) to obtain additional part information including price, inventory and certifications: [4.1/9.5 Mini DIN Female to N Female Adapter IP67 Mated PE91218](http://www.pasternack.com/4.1-9.5-mini-din-female-n-female-straight-adapter-pe91218-p.aspx)

URL: <http://www.pasternack.com/4.1-9.5-mini-din-female-n-female-straight-adapter-pe91218-p.aspx>

The information contained in this document is accurate to the best of our knowledge and representative of the part described herein. It may be necessary to make modifications to the part and/or the documentation of the part, in order to implement improvements. Pasternack reserves the right to make such changes as required. Unless otherwise stated, all specifications are nominal. Pasternack does not make any representation or warranty regarding the suitability of the part described herein for any particular purpose, and Pasternack does not assume any liability arising out of the use of any part or documentation.

PE91218 CAD Drawing

4.1/9.5 Mini DIN Female to N Female Adapter IP67 Mated



NOTES:
 1. UNLESS OTHERWISE SPECIFIED ALL DIMENSIONS ARE NOMINAL.
 2. ALL SPECIFICATIONS ARE SUBJECT TO CHANGE WITHOUT NOTICE AT ANY TIME.
 3. DIMENSIONS ARE IN INCHES [mm].

DWG TITLE
PE91218

FSCM NO. 53919

CAD FILE 061314

SCALE N/A

SIZE A

2233

PE PASTERNAK
 THE ENGINEER'S RF SOURCE
 Pasternack Enterprises, Inc.
 P.O. Box 16759 | Irvine | CA | 92623

Phone: (949) 261-1920 | Fax: (949) 261-7451

Website: www.pasternack.com | E-Mail: sales@pasternack.com