



1.85mm Male to 2.4mm Female Right Angle Adapter

RF Adapters Technical Data Sheet

PE91160

Configuration

- 1.85mm Male Connector 1
- 2.4mm Female Connector 2
- 50 Ohms
- Right Angle Body Geometry

Features

- Max VSWR of 1.4:1 up to 50 GHz
- Gold over Nickel Plated Beryllium Copper Contact
- Contact Plating per MIL-G-45204

Applications

- Allows Connection Between Series
- General Purpose Test

Description

Pasternack's PE91160 1.85mm male to 2.4mm female right angle adapter is part of our full line of RF components available for same-day shipping. The 1.85mm connector mates mechanically with commercially available 2.4mm connectors. Our 1.85mm to 2.4mm adapter has a male to female gender configuration. PE91160 1.85mm male to 2.4mm female adapter operates to 50 GHz. The Pasternack RF adapter provides good VSWR of 1.4:1 maximum. This low profile right angle 1.85mm to 2.4mm adapter allows for easier connections in tight spaces.

RF adapters are often used to enable connections between two connector types that would otherwise not mate. Certain adapter configurations can also be used to protect connectors on expensive equipment where the number of connect/disconnect cycles is high. An RF, microwave or millimeter wave adapter is connected to the equipment, and the commonly changed connection is made with the adapter which can be easily replaced when it wears out after high usage; such adapters are referred to as connector savers. Pasternack also offers bulkhead, panel mount, hermetically sealed, reverse polarity, and isolated ground adapter varieties to serve all of your RF, microwave and millimeter wave needs.

Electrical Specifications

Description	Minimum	Typical	Maximum	Units
Frequency Range	DC		50	GHz
VSWR			1.4:1	
Insertion Loss			0.36	dB

Electrical Specification Notes:
Values at 25°C, sea level.
Insertion Loss = $0.05 \cdot \sqrt{f(\text{GHz})}$ dB.

Mechanical Specifications

Size	
Length	0.583 in [14.81 mm]
Width	0.498 in [12.65 mm]
Weight	0.06 lbs [27.22 g]

Click the following link (or enter part number in "SEARCH" on website) to obtain additional part information including price, inventory and certifications: [1.85mm Male to 2.4mm Female Right Angle Adapter PE91160](#)



1.85mm Male to 2.4mm Female Right Angle Adapter

RF Adapters Technical Data Sheet

PE91160

Description	Connector 1	Connector 2
Type	1.85mm Male	2.4mm Female
Polarity	Standard	Standard
Hex Size	5/16 Inch	
Mating Torque	8 to 10 in-lbs [0.90 to 1.13 Nm]	

Material Specifications

Description	Connector 1		Connector 2	
	Material	Plating	Material	Plating
Type	1.85mm Male		2.4mm Female	
Contact	Beryllium Copper	Gold over Nickel MIL-G-45204	Beryllium Copper	Gold over Nickel MIL-G-45204
Insulation	Oxide-Noryl		Oxide-Noryl	
Outer Conductor	Passivated Stainless Steel			ASTM A380
Body	Passivated Stainless Steel		ASTM A380	
Coupling Nut	Passivated Stainless Steel		ASTM A380	

Compliance Certifications (see [product page](#) for current document)

1.85mm Male to 2.4mm Female Right Angle Adapter from Pasternack Enterprises has same day shipment for domestic and International orders. Our RF, microwave and millimeter wave products maintain a 99% availability and are part of the broadest selection in the industry.

Click the following link (or enter part number in "SEARCH" on website) to obtain additional part information including price, inventory and certifications: [1.85mm Male to 2.4mm Female Right Angle Adapter PE91160](#)

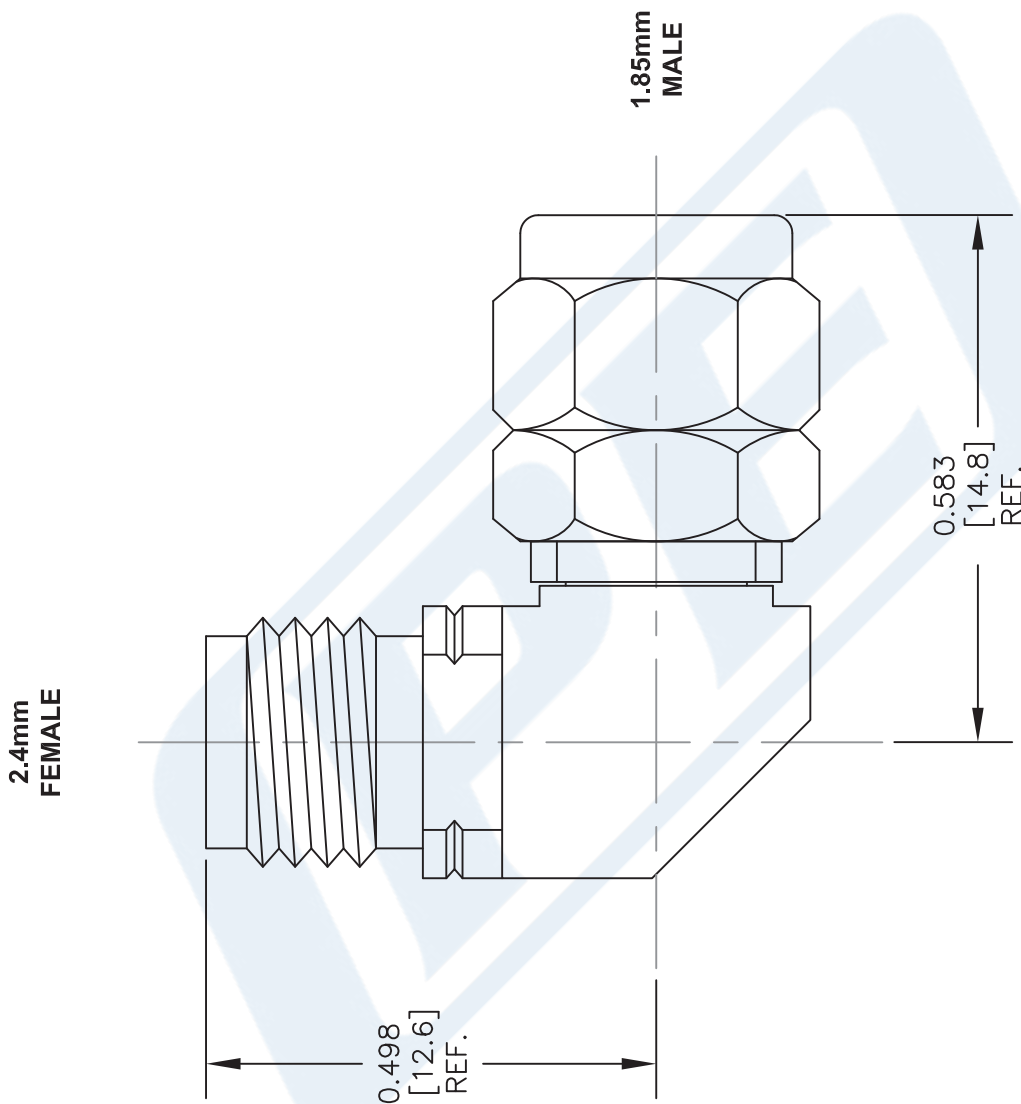
URL: <https://www.pasternack.com/1.85mm-male-2.4mm-female-right-angle-adapter-pe91160-p.aspx>

The information contained in this document is accurate to the best of our knowledge and representative of the part described herein. It may be necessary to make modifications to the part and/or the documentation of the part, in order to implement improvements. Pasternack reserves the right to make such changes as required. Unless otherwise stated, all specifications are nominal. Pasternack does not make any representation or warranty regarding the suitability of the part described herein for any particular purpose, and Pasternack does not assume any liability arising out of the use of any part or documentation.



PE91160 CAD Drawing

1.85mm Male to 2.4mm Female Right Angle Adapter



STANDARD TOLERANCES
 .X ±0.2
 .XX ±0.1
 .XXX ±0.05

*STANDARD TOLERANCES APPLY ONLY TO DIMENSIONS IN INCHES

NOTES:
 1. UNLESS OTHERWISE SPECIFIED ALL DIMENSIONS ARE NOMINAL.
 2. ALL SPECIFICATIONS ARE SUBJECT TO CHANGE WITHOUT NOTICE AT ANY TIME.
 3. DIMENSIONS ARE IN INCHES [mm].

DWG TITLE
PE91160

FSCM NO. 53919

CAD FILE 090116

SCALE N/A

SIZE A

41742

(PE) PASTERNAK®
 THE ENGINEER'S RF SOURCE
 Pasternack Enterprises, Inc.
 P.O. Box 16759 | Irvine | CA | 92623
 Phone: (949) 261-1920 | Fax: (949) 261-7451
 Website: www.pasternack.com | E-Mail: sales@pasternack.com