



# SMA Female to SMA Female Right Angle Adapter

## RF Adapters Technical Data Sheet

PE91150

### Configuration

- SMA Female Connector 1
- SMA Female Connector 2
- 50 Ohms
- Right Angle Body Geometry

### Features

- Max VSWR of 1.35:1 up to 27 GHz
- Gold over Nickel Plated Beryllium Copper Contact
- Contact Plating per MIL-G-45204

### Applications

- General Purpose Test

### Description

Pasternack's PE91150 SMA female to SMA female right angle adapter is part of our full line of RF components available for same-day shipping. The SMA connector mates mechanically with commercially available 3.5mm and 2.92mm (K) connectors. Our SMA to SMA adapter has a female to female gender configuration. PE91150 SMA female to SMA female adapter operates to 27 GHz. The Pasternack RF adapter provides good VSWR of 1.35:1 maximum. This low profile right angle SMA adapter allows for easier connections in tight spaces.

RF adapters are often used to enable connections between two connector types that would otherwise not mate. Certain adapter configurations can also be used to protect connectors on expensive equipment where the number of connect/disconnect cycles is high. An RF, microwave or millimeter wave adapter is connected to the equipment, and the commonly changed connection is made with the adapter which can be easily replaced when it wears out after high usage; such adapters are referred to as connector savers. Pasternack also offers bulkhead, panel mount, hermetically sealed, reverse polarity, and isolated ground adapter varieties to serve all of your RF, microwave and millimeter wave needs.

### Electrical Specifications

Description	Minimum	Typical	Maximum	Units
Frequency Range	DC		27	GHz
VSWR			1.35:1	
Insertion Loss			0.26	dB

Electrical Specification Notes:  
 Values at 25°C, sea level.  
 Insertion Loss (dB) = 0.05\*sqrt(fGHz).

### Mechanical Specifications

<b>Size</b>	
Length	0.47 in [11.94 mm]
Width	0.442 in [11.23 mm]
Weight	0.06 lbs [27.22 g]

Click the following link (or enter part number in "SEARCH" on website) to obtain additional part information including price, inventory and certifications: [SMA Female to SMA Female Right Angle Adapter PE91150](#)





SMA Female to SMA Female Right Angle Adapter

RF Adapters Technical Data Sheet

PE91150

Description	Connector 1	Connector 2
Type	SMA Female	SMA Female
Polarity	Standard	Standard
Mating Cycles	500	500

**Material Specifications**

Description	Connector 1		Connector 2	
	Material	Plating	Material	Plating
Type	SMA Female		SMA Female	
Contact	Beryllium Copper	Gold over Nickel MIL-G-45204	Beryllium Copper	Gold over Nickel MIL-G-45204
Insulation	PTFE		PTFE	
Outer Conductor	Passivated Stainless Steel	ASTM A380	Passivated Stainless Steel	ASTM A380

**Environmental Specifications**

**Temperature**

Operating Range -55 to +100 deg C

Vibration  
Salt Spray

MIL-STD-202, Method 204, Cond. D (20G's)  
MIL-STD-202, Method 101, Cond. B, 5% salt solution

**Compliance Certifications** (see [product page](#) for current document)

**Plotted and Other Data**

Notes:

Click the following link (or enter part number in "SEARCH" on website) to obtain additional part information including price, inventory and certifications: [SMA Female to SMA Female Right Angle Adapter PE91150](#)





## SMA Female to SMA Female Right Angle Adapter

### RF Adapters Technical Data Sheet

PE91150

SMA Female to SMA Female Right Angle Adapter from Pasternack Enterprises has same day shipment for domestic and International orders. Our RF, microwave and millimeter wave products maintain a 99% availability and are part of the broadest selection in the industry.

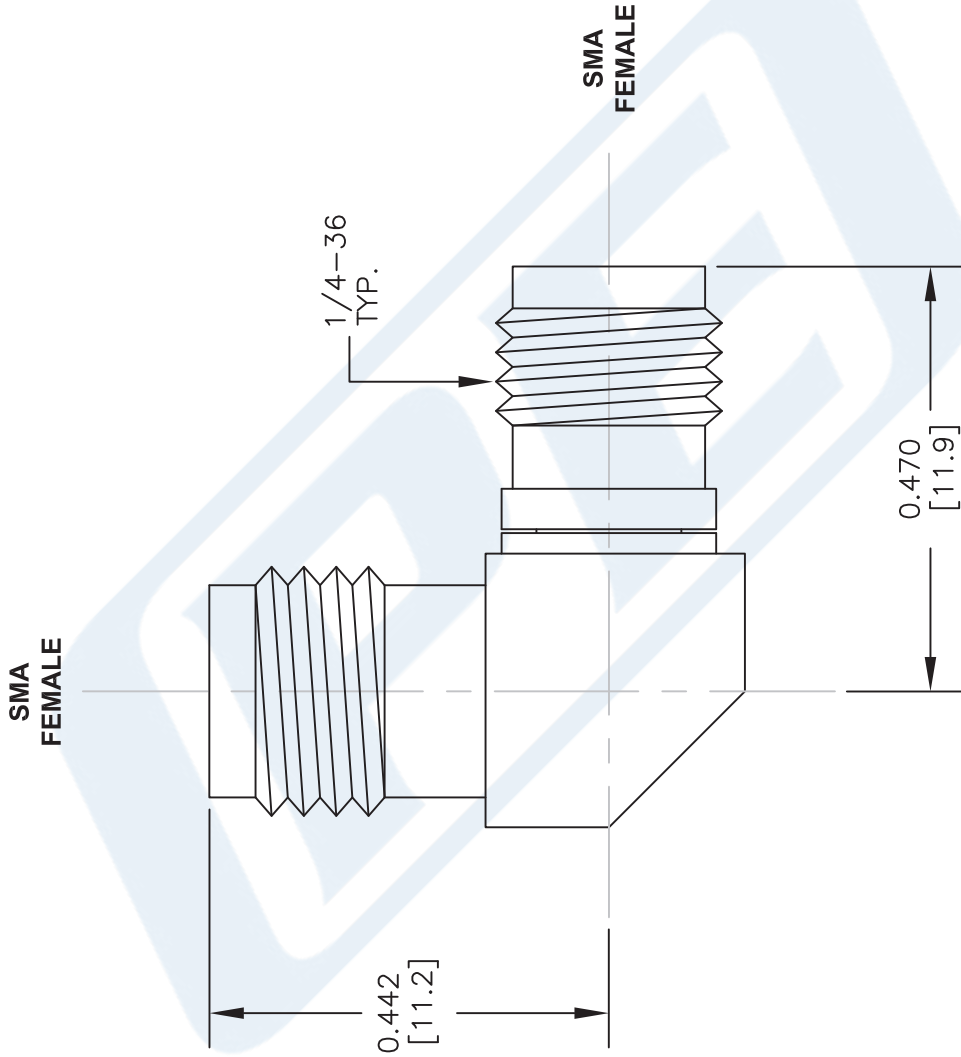
Click the following link (or enter part number in "SEARCH" on website) to obtain additional part information including price, inventory and certifications: [SMA Female to SMA Female Right Angle Adapter PE91150](https://www.pasternack.com/sma-female-sma-female-right-angle-adapter-pe91150-p.aspx)

URL: <https://www.pasternack.com/sma-female-sma-female-right-angle-adapter-pe91150-p.aspx>

The information contained in this document is accurate to the best of our knowledge and representative of the part described herein. It may be necessary to make modifications to the part and/or the documentation of the part, in order to implement improvements. Pasternack reserves the right to make such changes as required. Unless otherwise stated, all specifications are nominal. Pasternack does not make any representation or warranty regarding the suitability of the part described herein for any particular purpose, and Pasternack does not assume any liability arising out of the use of any part or documentation.

# PE91150 CAD Drawing

## SMA Female to SMA Female Right Angle Adapter



DWG TITLE

**PE91150**

FSCM NO. 53919

NOTES:  
 1. UNLESS OTHERWISE SPECIFIED ALL DIMENSIONS ARE NOMINAL.  
 2. ALL SPECIFICATIONS ARE SUBJECT TO CHANGE WITHOUT NOTICE AT ANY TIME.  
 3. DIMENSIONS ARE IN INCHES [mm].

CAD FILE 020614

SCALE N/A

SIZE A

150



Pasternack Enterprises, Inc.  
 P.O. Box 16759 | Irvine | CA | 92623  
**Phone:** (949) 261-1920 | **Fax:** (949) 261-7451  
**Website:** www.pasternack.com | **E-Mail:** sales@pasternack.com