



## 2.4mm NMD Female to 2.4mm Female Adapter

### RF Adapters Technical Data Sheet

PE91145

#### Configuration

- 2.4mm NMD Female Connector 1
- 2.4mm Female Connector 2
- 50 Ohms
- Straight Body Geometry

#### Features

- 4 µin minimum contact plating
- Gold Plated Beryllium Copper Contact

#### Applications

- Allows Connection Between Series
- General Purpose Test

#### Description

Pasternack's PE91145 2.4mm NMD female to 2.4mm female adapter is part of our full line of RF components available for same-day shipping. Our 2.4mm NMD to 2.4mm adapter has a female to female gender configuration. PE91145 2.4mm NMD female to 2.4mm female adapter operates to 50 GHz.

RF adapters are often used to enable connections between two connector types that would otherwise not mate. Certain adapter configurations can also be used to protect connectors on expensive equipment where the number of connect/disconnect cycles is high. An RF, microwave or millimeter wave adapter is connected to the equipment, and the commonly changed connection is made with the adapter which can be easily replaced when it wears out after high usage; such adapters are referred to as connector savers. Pasternack also offers bulkhead, panel mount, hermetically sealed, reverse polarity, and isolated ground adapter varieties to serve all of your RF, microwave and millimeter wave needs.

#### Electrical Specifications

Description	Minimum	Typical	Maximum	Units
Frequency Range	DC		50	GHz

#### Performance by Frequency

Description	F1	F2	F3	F4	F5	Units
Frequency Range	DC to 5	5 to 31	31 to 50			GHz
VSWR, Typ	1.05:1	1.15:1	1.35:1			

Electrical Specification Notes:  
 Values at 25°C, sea level.

#### Mechanical Specifications

Size	
Length	1.5 in [38.1 mm]
Width	0.74 in [18.8 mm]
Weight	0.069 lbs [31.3 g]

Click the following link (or enter part number in "SEARCH" on website) to obtain additional part information including price, inventory and certifications: [2.4mm NMD Female to 2.4mm Female Adapter PE91145](#)



## 2.4mm NMD Female to 2.4mm Female Adapter

### RF Adapters Technical Data Sheet

PE91145

Description	Connector 1	Connector 2
Type	2.4mm NMD Female	2.4mm Female
Polarity	Standard	Standard

#### Material Specifications

Description	Connector 1		Connector 2	
	Material	Plating	Material	Plating
Type	2.4mm NMD Female		2.4mm Female	
Contact	Beryllium Copper	Gold 4 µin minimum	Beryllium Copper	Gold 4 µin minimum
Insulation	PSU		PSU	
Outer Conductor	Passivated Stainless Steel		Passivated Stainless Steel	

#### Compliance Certifications (see [product page](#) for current document)

2.4mm NMD Female to 2.4mm Female Adapter from Pasternack Enterprises has same day shipment for domestic and International orders. Our RF, microwave and millimeter wave products maintain a 99% availability and are part of the broadest selection in the industry.

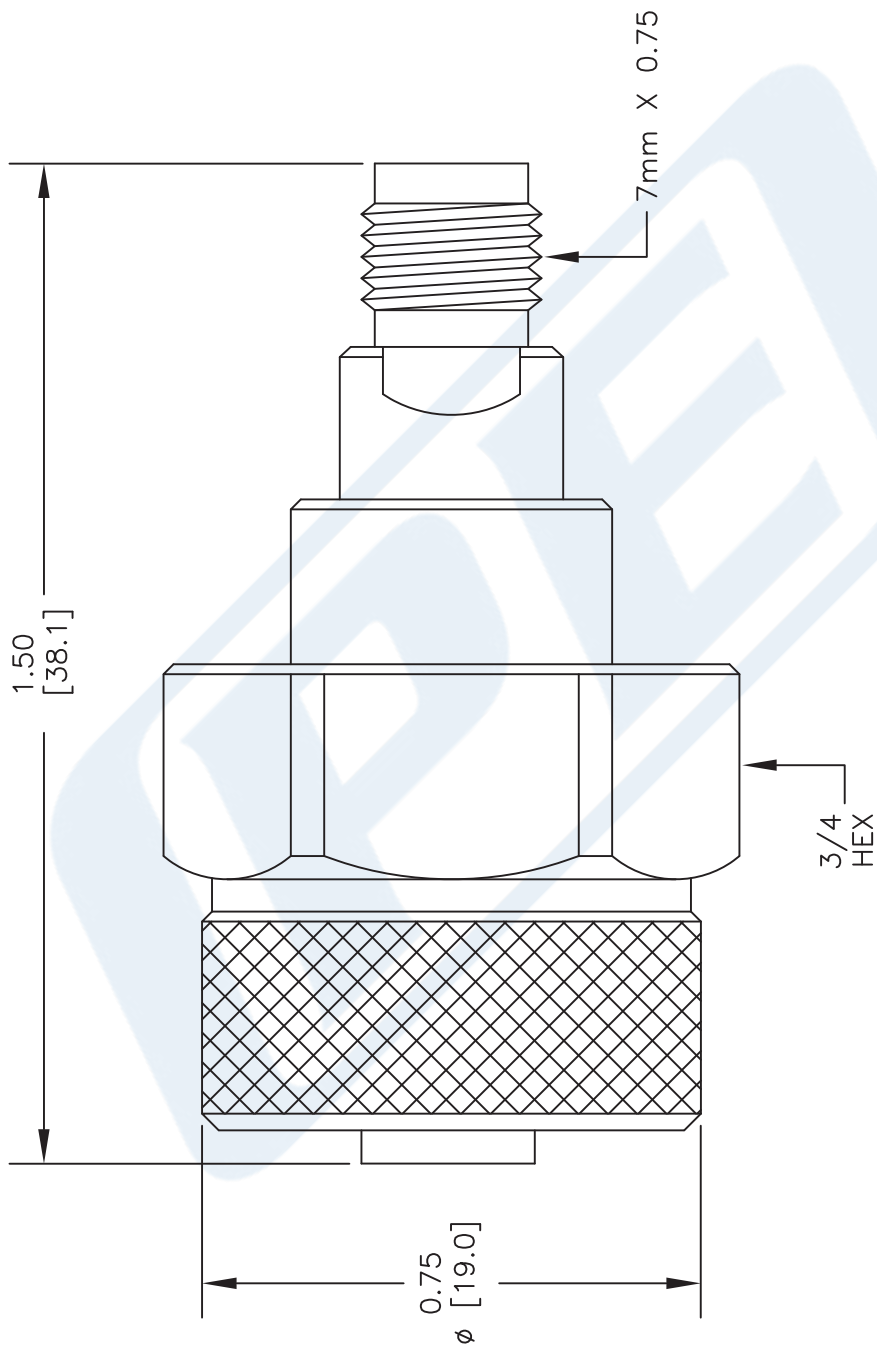
Click the following link (or enter part number in "SEARCH" on website) to obtain additional part information including price, inventory and certifications: [2.4mm NMD Female to 2.4mm Female Adapter PE91145](#)

URL: <https://www.pasternack.com/2.4mm-nmd-female-2.4mm-female-straight-adapter-pe91145-p.aspx>

The information contained in this document is accurate to the best of our knowledge and representative of the part described herein. It may be necessary to make modifications to the part and/or the documentation of the part, in order to implement improvements. Pasternack reserves the right to make such changes as required. Unless otherwise stated, all specifications are nominal. Pasternack does not make any representation or warranty regarding the suitability of the part described herein for any particular purpose, and Pasternack does not assume any liability arising out of the use of any part or documentation.

# PE91145 CAD Drawing

## 2.4mm NMD Female to 2.4mm Female Adapter



**Ruggedized NMD  
2.4mm  
FEMALE**

**2.4 mm  
FEMALE**

**NOTES:**  
 1. UNLESS OTHERWISE SPECIFIED ALL DIMENSIONS ARE NOMINAL.  
 2. ALL SPECIFICATIONS ARE SUBJECT TO CHANGE WITHOUT NOTICE AT ANY TIME.  
 3. DIMENSIONS ARE IN INCHES [mm].

DWG TITLE	
<b>PE91145</b>	
FSCM NO.	53919
CAD FILE	020414
SCALE	N/A
SIZE	A
	150

**(PE) PASTERNAK®**  
 THE ENGINEER'S RF SOURCE  
 Pasternack Enterprises, Inc.  
 P.O. Box 16759 | Irvine | CA | 92623  
**Phone:** (949) 261-1920 | **Fax:** (949) 261-7451  
**Website:** www.pasternack.com | **E-Mail:** sales@pasternack.com