



SMA Female to Mini SMP Male Full Detent Adapter

RF Adapters Technical Data Sheet

PE91129

Configuration

- SMA Female Connector 1
- Full Detent Mini SMP Male Connector 2
- 50 Ohms
- Straight Body Geometry

Features

- Max VSWR of 1.2:1 up to 26.5 GHz
- Gold Plated Beryllium Copper Contact
- Contact Plating per MIL-G-45204

Applications

- Allows Connection Between Series
- General Purpose Test

Description

Pasternack's PE91129 SMA female to Mini SMP male full detent adapter is part of our full line of RF components available for same-day shipping. The SMA connector mates mechanically with commercially available 3.5mm and 2.92mm (K) connectors. Our SMA to Mini SMP adapter has a female to male gender configuration. PE91129 SMA female to Mini SMP male adapter operates to 26.5 GHz. The Pasternack RF adapter provides excellent VSWR of 1.2:1 maximum.

RF adapters are often used to enable connections between two connector types that would otherwise not mate. Certain adapter configurations can also be used to protect connectors on expensive equipment where the number of connect/disconnect cycles is high. An RF, microwave or millimeter wave adapter is connected to the equipment, and the commonly changed connection is made with the adapter which can be easily replaced when it wears out after high usage; such adapters are referred to as connector savers. Pasternack also offers bulkhead, panel mount, hermetically sealed, reverse polarity, and isolated ground adapter varieties to serve all of your RF, microwave and millimeter wave needs.

Electrical Specifications

| Description | Minimum | Typical | Maximum | Units |
|-----------------|---------|---------|---------|-------|
| Frequency Range | DC | | 26.5 | GHz |
| VSWR | | | 1.2:1 | |

Electrical Specification Notes:
 Values at 25°C, sea level.

Mechanical Specifications

| Size | |
|--------|---------------------|
| Length | 0.797 in [20.24 mm] |
| Width | 0.312 in [7.92 mm] |
| Weight | 0.006 lbs [2.72 g] |

Click the following link (or enter part number in "SEARCH" on website) to obtain additional part information including price, inventory and certifications: [SMA Female to Mini SMP Male Full Detent Adapter PE91129](#)





SMA Female to Mini SMP Male Full Detent Adapter

RF Adapters Technical Data Sheet

PE91129

| Description | Connector 1 | Connector 2 |
|-------------|-------------|---------------|
| Type | SMA Female | Mini SMP Male |
| Polarity | Standard | Standard |

Material Specifications

| Description | Connector 1 | | Connector 2 | |
|-----------------|----------------------------|---------------------|----------------------------|---------------------|
| | Material | Plating | Material | Plating |
| Type | SMA Female | | Full Detent Mini SMP Male | |
| Contact | Beryllium Copper | Gold MIL-G-45204 | Beryllium Copper | Gold MIL-G-45204 |
| Insulation | PTFE | | PTFE | |
| Outer Conductor | Passivated Stainless Steel | AMS-QQ-P-35 | | |
| Body | | | Passivated Stainless Steel | AMS-QQ-P-35 |

Environmental Specifications

Temperature

Operating Range -55 to +125 deg C

Compliance Certifications (see [product page](#) for current document)

Plotted and Other Data

Notes:

Click the following link (or enter part number in "SEARCH" on website) to obtain additional part information including price, inventory and certifications: [SMA Female to Mini SMP Male Full Detent Adapter PE91129](#)





SMA Female to Mini SMP Male Full Detent Adapter

RF Adapters Technical Data Sheet

PE91129

SMA Female to Mini SMP Male Full Detent Adapter from Pasternack Enterprises has same day shipment for domestic and International orders. Our RF, microwave and millimeter wave products maintain a 99% availability and are part of the broadest selection in the industry.

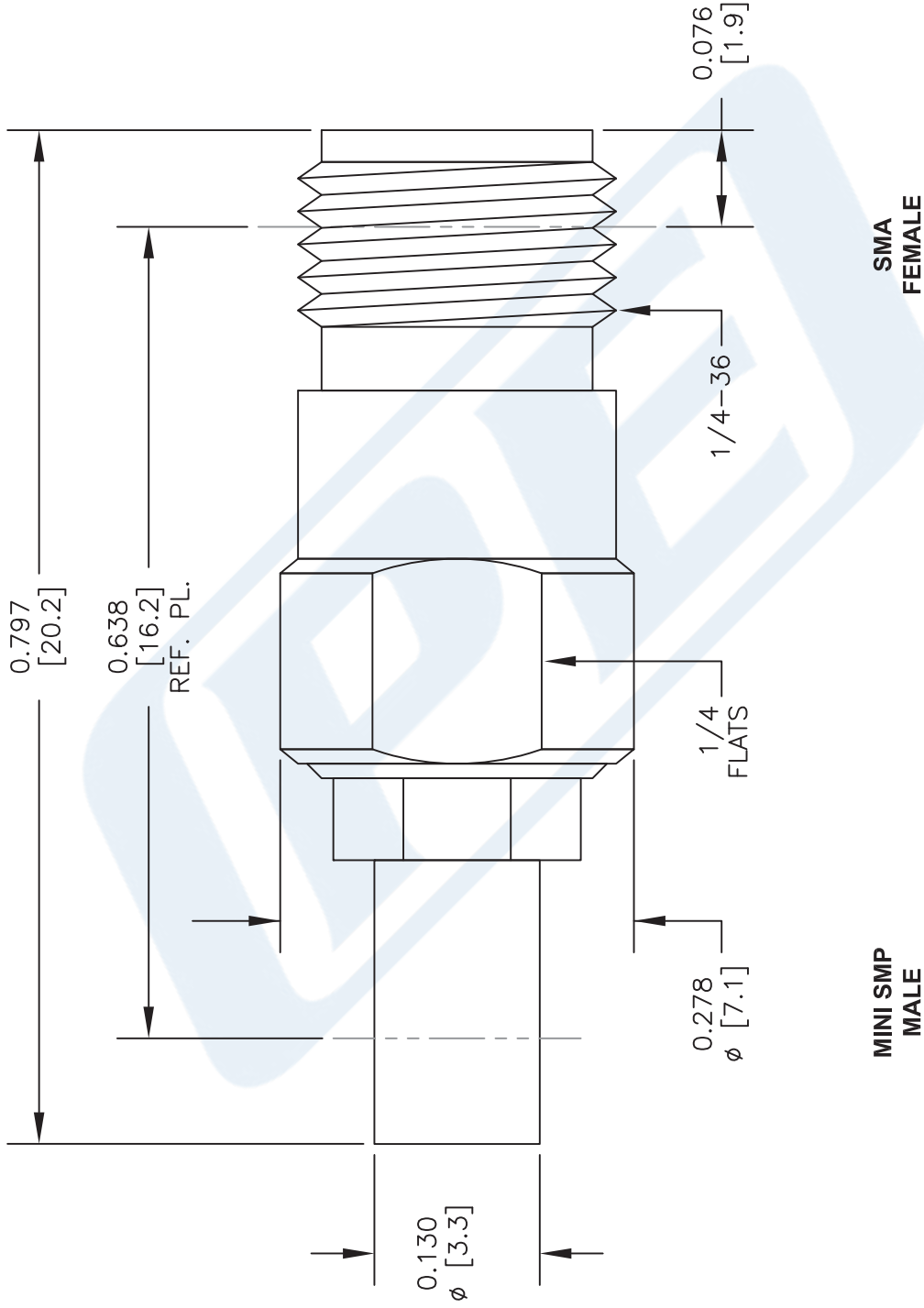
Click the following link (or enter part number in "SEARCH" on website) to obtain additional part information including price, inventory and certifications: [SMA Female to Mini SMP Male Full Detent Adapter PE91129](#)

URL: <https://www.pasternack.com/sma-female-mini-smp-male-straight-adapter-pe91129-p.aspx>

The information contained in this document is accurate to the best of our knowledge and representative of the part described herein. It may be necessary to make modifications to the part and/or the documentation of the part, in order to implement improvements. Pasternack reserves the right to make such changes as required. Unless otherwise stated, all specifications are nominal. Pasternack does not make any representation or warranty regarding the suitability of the part described herein for any particular purpose, and Pasternack does not assume any liability arising out of the use of any part or documentation.

PE91129 CAD Drawing

SMA Female to Mini SMP Male Full Detent Adapter



NOTES:
 1. UNLESS OTHERWISE SPECIFIED ALL DIMENSIONS ARE NOMINAL.
 2. ALL SPECIFICATIONS ARE SUBJECT TO CHANGE WITHOUT NOTICE AT ANY TIME.
 3. DIMENSIONS ARE IN INCHES [mm].

DWG TITLE
PE91129

FSCM NO. **53919**

CAD FILE 102813

SCALE N/A

SIZE A

2233

PE PASTERNAK®
 Pasternack Enterprises, Inc.
 P.O. Box 16759 | Irvine | CA | 92623
Phone: (949) 261-1920 | **Fax:** (949) 261-7451
Website: www.pasternack.com | **E-Mail:** sales@pasternack.com