



2.4mm Male to Mini SMP Male Full Detent Adapter

RF Adapters Technical Data Sheet

PE91121

Configuration

- 2.4mm Male Connector 1
- Full Detent Mini SMP Male Connector 2
- 50 Ohms
- Straight Body Geometry

Features

- Max VSWR of 1.25:1 up to 50 GHz
- Mini SMP Interface compliant with MIL-STD-348
- Gold Plated Beryllium Copper Contact
- Contact Plating per MIL-G-45204

Applications

- Allows Connection Between Series
- General Purpose Test

Description

Pasternack's PE91121 2.4mm male to Mini SMP male full detent adapter is part of our full line of RF components available for same-day shipping. The 2.4mm connector mates mechanically with commercially available 1.85mm (V) connectors. Our 2.4mm to Mini SMP adapter has a male to male gender configuration. PE91121 2.4mm male to Mini SMP male adapter is gold plated and operates to 50 GHz. The Pasternack RF adapter provides excellent VSWR of 1.25:1 maximum.

RF adapters are often used to enable connections between two connector types that would otherwise not mate. Certain adapter configurations can also be used to protect connectors on expensive equipment where the number of connect/disconnect cycles is high. An RF, microwave or millimeter wave adapter is connected to the equipment, and the commonly changed connection is made with the adapter which can be easily replaced when it wears out after high usage; such adapters are referred to as connector savers. Pasternack also offers bulkhead, panel mount, hermetically sealed, reverse polarity, and isolated ground adapter varieties to serve all of your RF, microwave and millimeter wave needs.

Electrical Specifications

Description	Minimum	Typical	Maximum	Units
Frequency Range	DC		50	GHz
VSWR			1.25:1	

Mechanical Specifications

Size	
Length	0.891 in [22.63 mm]
Width	0.312 in [7.92 mm]
Weight	0.008 lbs [3.63 g]

Click the following link (or enter part number in "SEARCH" on website) to obtain additional part information including price, inventory and certifications: [2.4mm Male to Mini SMP Male Full Detent Adapter PE91121](#)



2.4mm Male to Mini SMP Male Full Detent Adapter

RF Adapters Technical Data Sheet

PE91121

Description	Connector 1	Connector 2
Type	2.4mm Male	Mini SMP Male
Polarity	Standard	Standard
Interface Specification		MIL-STD-348
Hex Size	5/16 in.	

Material Specifications

Description	Connector 1		Connector 2	
	Material	Plating	Material	Plating
Type	2.4mm Male		Full Detent Mini SMP Male	
Contact	Beryllium Copper	Gold MIL-G-45204	Beryllium Copper	Gold MIL-G-45204
Insulation	PTFE		PTFE	
Body	Beryllium Copper	Gold MIL-G-45204	Passivated Stainless Steel	AMS-QQ-P-35
Coupling Nut	Passivated Stainless Steel	AMS-QQ-P-35		

Environmental Specifications

Temperature

Operating Range -55 to +125 deg C

Compliance Certifications (see [product page](#) for current document)

Plotted and Other Data

Notes:

Click the following link (or enter part number in "SEARCH" on website) to obtain additional part information including price, inventory and certifications: [2.4mm Male to Mini SMP Male Full Detent Adapter PE91121](#)



2.4mm Male to Mini SMP Male Full Detent Adapter

RF Adapters Technical Data Sheet

PE91121

2.4mm Male to Mini SMP Male Full Detent Adapter from Pasternack Enterprises has same day shipment for domestic and International orders. Our RF, microwave and millimeter wave products maintain a 99% availability and are part of the broadest selection in the industry.

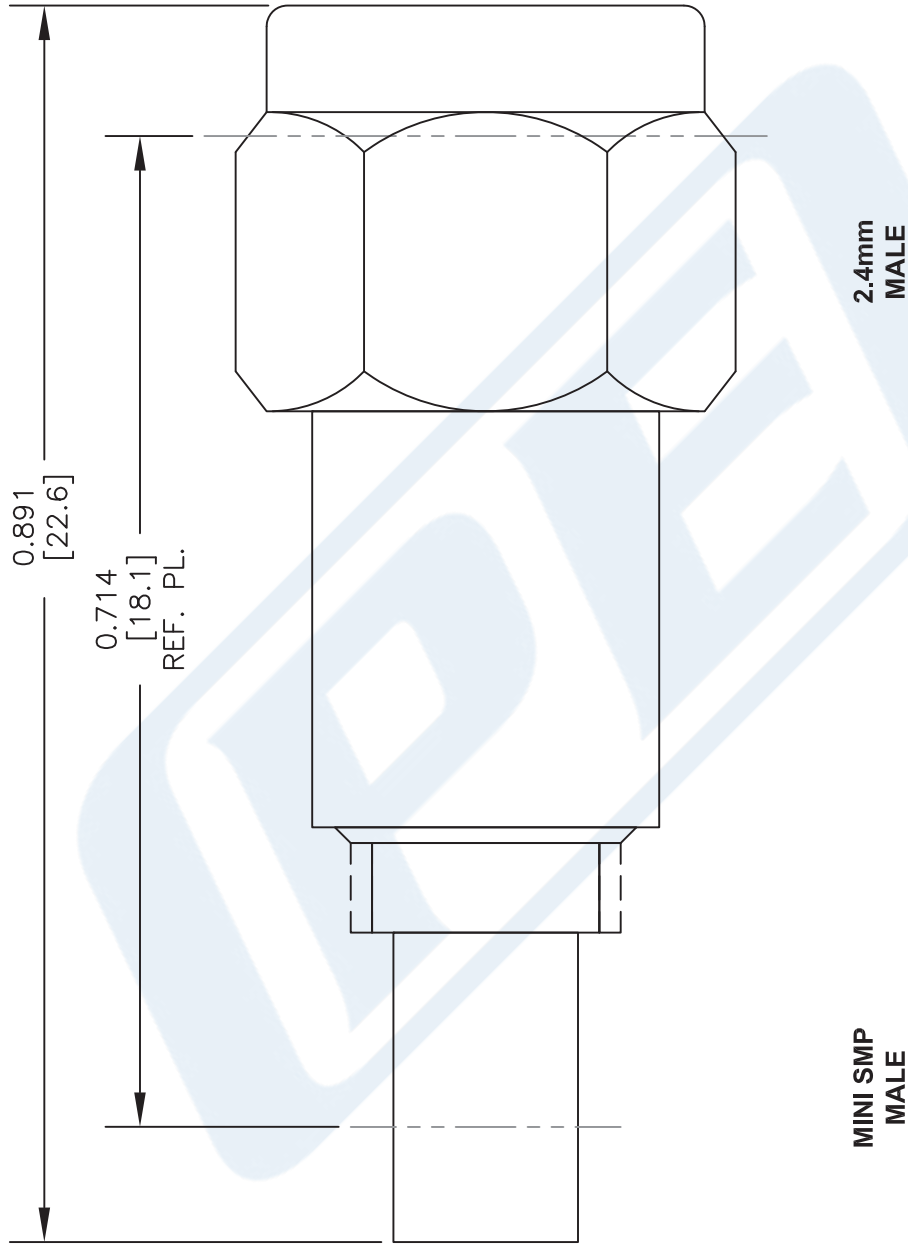
Click the following link (or enter part number in "SEARCH" on website) to obtain additional part information including price, inventory and certifications: [2.4mm Male to Mini SMP Male Full Detent Adapter PE91121](https://www.pasternack.com/2.4mm-male-mini-smp-male-straight-adapter-pe91121-p.aspx)

URL: <https://www.pasternack.com/2.4mm-male-mini-smp-male-straight-adapter-pe91121-p.aspx>

The information contained in this document is accurate to the best of our knowledge and representative of the part described herein. It may be necessary to make modifications to the part and/or the documentation of the part, in order to implement improvements. Pasternack reserves the right to make such changes as required. Unless otherwise stated, all specifications are nominal. Pasternack does not make any representation or warranty regarding the suitability of the part described herein for any particular purpose, and Pasternack does not assume any liability arising out of the use of any part or documentation.

PE91121 CAD Drawing

2.4mm Male to Mini SMP Male Full Detent Adapter



NOTES:
 1. UNLESS OTHERWISE SPECIFIED ALL DIMENSIONS ARE NOMINAL.
 2. ALL SPECIFICATIONS ARE SUBJECT TO CHANGE WITHOUT NOTICE AT ANY TIME.
 3. DIMENSIONS ARE IN INCHES [mm].

DWG TITLE
PE91121

FSCM NO. 53919

CAD FILE 102813

SCALE N/A

SIZE A

2233

PE PASTERNAK®
 Pasternack Enterprises, Inc.
 P.O. Box 16759 | Irvine | CA | 92623
Phone: (949) 261-1920 | **Fax:** (949) 261-7451
Website: www.pasternack.com | **E-Mail:** sales@pasternack.com