



Bulkhead Mount Isolated Ground BNC Triax Female to BNC Triax Female Adapter

RF Adapters Technical Data Sheet

PE91105

Configuration

- BNC Triax Female Connector 1
- BNC Triax Female Connector 2
- Straight Body Geometry
- Bulkhead Mount Method

Features

- Isolated Ground
- BNC Triax interface compliant with MIL-C-39012
- Contact plating according to MIL-G-45204
- Gold Plated Beryllium Copper Contact

Applications

- General Purpose Test
- Rack Mounted Equipment

Description

Pasternack's PE91105 bulkhead isolated ground BNC Triax female to BNC Triax female adapter is part of our full line of RF components available for same-day shipping. Our BNC Triax to BNC Triax adapter has a female to female gender configuration. PE91105 BNC Triax female to BNC Triax female adapter operates to 500 MHz. This RF BNC Triax bulkhead to BNC Triax adapter allows designers to create external connections on their product enclosures, and can be used in a variety of other rack mount and panel mount applications.

RF adapters are often used to enable connections between two connector types that would otherwise not mate. Certain adapter configurations can also be used to protect connectors on expensive equipment where the number of connect/disconnect cycles is high. An RF, microwave or millimeter wave adapter is connected to the equipment, and the commonly changed connection is made with the adapter which can be easily replaced when it wears out after high usage; such adapters are referred to as connector savers. Pasternack also offers bulkhead, panel mount, hermetically sealed, reverse polarity, and isolated ground adapter varieties to serve all of your RF, microwave and millimeter wave needs.

Electrical Specifications

Description	Minimum	Typical	Maximum	Units
Frequency Range	DC		500	MHz
Operating Voltage (AC)			500	Vrms
Dielectric Withstanding Voltage (AC)			1,500	Vrms
Insulation Resistance	5,000			MOhms

Electrical Specification Notes:
Values at 25°C, sea level.

Mechanical Specifications

Size	
Length	1.35 in [34.29 mm]
Width	0.8 in [20.32 mm]
Weight	0.0546 lbs [24.77 g]

Click the following link (or enter part number in "SEARCH" on website) to obtain additional part information including price, inventory and certifications: [Bulkhead Mount Isolated Ground BNC Triax Female to BNC Triax Female Adapter PE91105](#)



Bulkhead Mount Isolated Ground BNC Triax
Female to BNC Triax Female Adapter

RF Adapters Technical Data Sheet

PE91105

Description	Connector 1	Connector 2
Type	BNC Triax Female	BNC Triax Female
Polarity	Standard	Standard
Interface Specification	MIL-C-39012	MIL-C-39012
Connector Option	Isolated Ground	Isolated Ground

Material Specifications

Description	Connector 1		Connector 2	
	Material	Plating	Material	Plating
Type	BNC Triax Female		BNC Triax Female	
Contact	Beryllium Copper	Gold MIL-G-45204	Beryllium Copper	Gold MIL-G-45204
Outer Conductor	Brass	Nickel QQ-N-290	Brass	Nickel QQ-N-290

Environmental Specifications

Temperature

Operating Range -65 to +165 °C

Compliance Certifications (see [product page](#) for current document)

Plotted and Other Data

Notes:

Click the following link (or enter part number in "SEARCH" on website) to obtain additional part information including price, inventory and certifications: [Bulkhead Mount Isolated Ground BNC Triax Female to BNC Triax Female Adapter PE91105](#)



Bulkhead Mount Isolated Ground BNC Triax Female to BNC Triax Female Adapter

RF Adapters Technical Data Sheet

PE91105

Bulkhead Mount Isolated Ground BNC Triax Female to BNC Triax Female Adapter from Pasternack Enterprises has same day shipment for domestic and International orders. Our RF, microwave and millimeter wave products maintain a 99.4% availability and are part of the broadest selection in the industry.

Click the following link (or enter part number in "SEARCH" on website) to obtain additional part information including price, inventory and certifications: [Bulkhead Mount Isolated Ground BNC Triax Female to BNC Triax Female Adapter PE91105](https://www.pasternack.com/bnc-triax-female-bnc-triax-female-straight-adapter-pe91105-p.aspx)

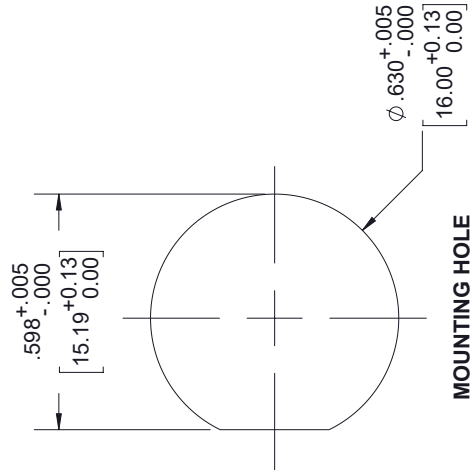
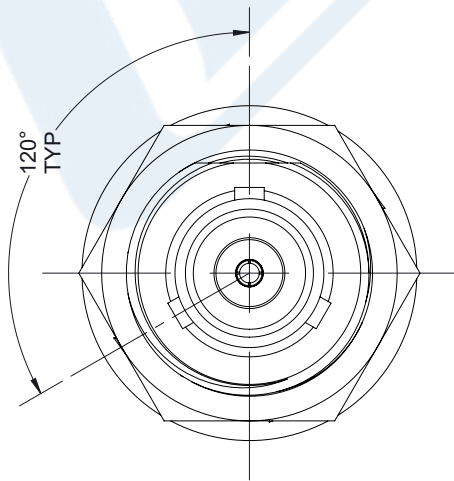
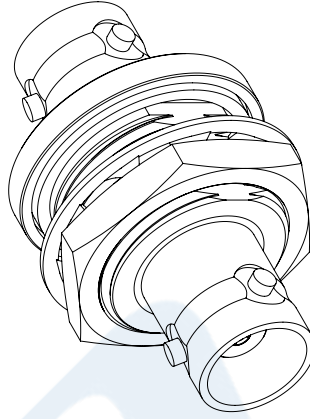
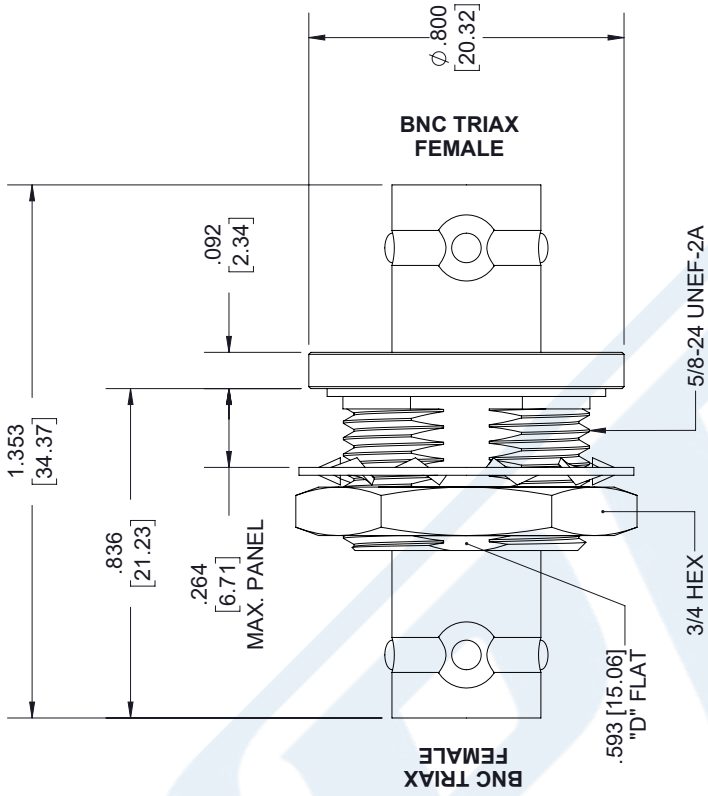
URL: <https://www.pasternack.com/bnc-triax-female-bnc-triax-female-straight-adapter-pe91105-p.aspx>

The information contained in this document is accurate to the best of our knowledge and representative of the part described herein. It may be necessary to make modifications to the part and/or the documentation of the part, in order to implement improvements. Pasternack reserves the right to make such changes as required. Unless otherwise stated, all specifications are nominal. Pasternack does not make any representation or warranty regarding the suitability of the part described herein for any particular purpose, and Pasternack does not assume any liability arising out of the use of any part or documentation.

PE91105 CAD Drawing

Bulkhead Mount Isolated Ground BNC Triax Female to BNC Triax Female Adapter

REVISIONS			
REV.	DESCRIPTION	DATE	APPROVED
A	PCR SM6730	6/22/2020	S. ELLIS



UNLESS OTHERWISE SPECIFIED LEADING DIMENSIONS ARE INCHES DIMENSIONS IN [] ARE MILLIMETERS

TOLERANCES:

.X = ±.2 [5.08] FRACTIONS ± 1/32
 .XX = ±.02 [.51] ANGLES ± 1°
 .XXX = ±.005 [.13] CABLE LENGTH (L) TOLERANCES:
 L ≤ 12 [305] = +1 [25] / -0
 12 [305] < L ≤ 60 [1524] = +2 [51] / -0
 60 [1524] < L ≤ 120 [3048] = +4 [102] / -0
 120 [3048] < L ≤ 300 [7620] = +6 [152] / -0
 300 [7620] < L = +5% / L / -0

ALL DIMENSIONS SHOWN ARE FOR REFERENCE ONLY.

PE PASTERNAK
 an INFINIT brand

Pasternack Enterprises, Inc.
 P. O. Box 16759, Irvine, CA 92623.
 Phone: 1.949.261.1920 | 1.866.727.8376
 Fax: 1.949.261.7451
 Website: www.pasternack.com
 E-mail: sales@pasternack.com

THIRD-ANGLE PROJECTION

THE INFORMATION AND DESIGN IN THIS DOCUMENT IS THE PROPERTY OF PASTERNAK CORPORATION ALL RIGHTS RESERVED.

SHEET 1 OF 1
 SCALE N/A

ITEM NO. PE91105
 DRAWN BY K. DANG
 CAGE CODE A 53919
 REV A

THESE COMMODITIES, TECHNOLOGY OR SOFTWARE WERE EXPORTED FROM THE UNITED STATES IN ACCORDANCE WITH THE EXPORT ADMINISTRATION REGULATIONS. DIVERSION CONTRARY TO U.S. LAW PROHIBITED.