



## Precision SMA Male to Mini SMP Female Adapter

### RF Adapters Technical Data Sheet

PE91103

#### Configuration

- SMA Male Connector 1
- Mini SMP Female Connector 2
- 50 Ohms
- Precision Design
- Straight Body Geometry

#### Features

- Max VSWR of 1.2:1 up to 26.5 GHz
- Gold Plated Beryllium Copper Contact
- Contact Plating per MIL-G-45204

#### Applications

- Allows Connection Between Series
- General Purpose Test
- Precision Test & Measurement

#### Description

Pasternack's PE91103 precision SMA male to Mini SMP female adapter is part of our full line of RF components available for same-day shipping. The SMA connector mates mechanically with commercially available 3.5mm and 2.92mm (K) connectors. Our SMA to Mini SMP adapter has a male to female gender configuration in a precision design. PE91103 SMA male to Mini SMP female adapter operates to 26.5 GHz. The Pasternack RF adapter provides excellent VSWR of 1.2:1 maximum.

RF adapters are often used to enable connections between two connector types that would otherwise not mate. Certain adapter configurations can also be used to protect connectors on expensive equipment where the number of connect/disconnect cycles is high. An RF, microwave or millimeter wave adapter is connected to the equipment, and the commonly changed connection is made with the adapter which can be easily replaced when it wears out after high usage; such adapters are referred to as connector savers. Pasternack also offers bulkhead, panel mount, hermetically sealed, reverse polarity, and isolated ground adapter varieties to serve all of your RF, microwave and millimeter wave needs.

#### Electrical Specifications

Description	Minimum	Typical	Maximum	Units
Frequency Range	DC		26.5	GHz
VSWR			1.2:1	

#### Mechanical Specifications

##### Size

Length	0.754 in [19.15 mm]
Width	0.312 in [7.92 mm]
Weight	0.008 lbs [3.63 g]

Click the following link (or enter part number in "SEARCH" on website) to obtain additional part information including price, inventory and certifications: [Precision SMA Male to Mini SMP Female Adapter PE91103](#)



Precision SMA Male to Mini SMP Female Adapter

RF Adapters Technical Data Sheet

PE91103

Description	Connector 1	Connector 2
Type	SMA Male	Mini SMP Female
Polarity	Standard	Standard
Hex Size	5/16 in.	
Mating Torque	8 to 10 in-lbs [0.90 to 1.13 Nm]	

**Material Specifications**

Description	Connector 1		Connector 2	
	Material	Plating	Material	Plating
Type	SMA Male		Mini SMP Female	
Contact	Beryllium Copper	Gold MIL-G-45204	Beryllium Copper	Gold MIL-G-45204
Insulation	PTFE		PTFE	
Outer Conductor			Beryllium Copper	Gold MIL-G-45204
Body	Passivated Stainless Steel AMS-QQ-P-35			
Coupling Nut	Passivated Stainless Steel AMS-QQ-P-35			

**Environmental Specifications**

**Temperature**

Operating Range -55 to +125 deg C

**Compliance Certifications** (see [product page](#) for current document)

**Plotted and Other Data**

Notes:

Click the following link (or enter part number in "SEARCH" on website) to obtain additional part information including price, inventory and certifications: [Precision SMA Male to Mini SMP Female Adapter PE91103](#)





## Precision SMA Male to Mini SMP Female Adapter

### RF Adapters Technical Data Sheet

PE91103

Precision SMA Male to Mini SMP Female Adapter from Pasternack Enterprises has same day shipment for domestic and International orders. Our RF, microwave and millimeter wave products maintain a 99% availability and are part of the broadest selection in the industry.

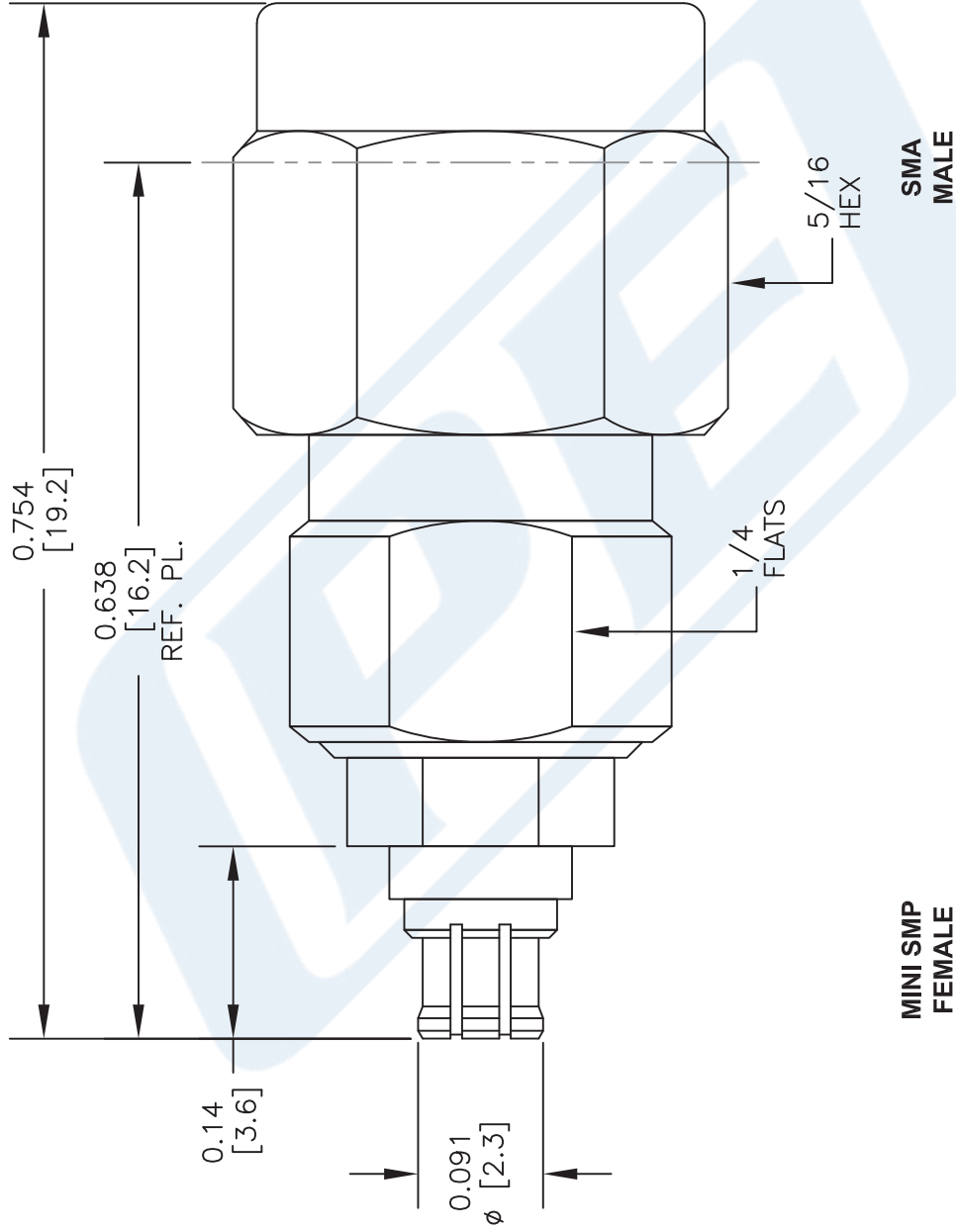
Click the following link (or enter part number in "SEARCH" on website) to obtain additional part information including price, inventory and certifications: [Precision SMA Male to Mini SMP Female Adapter PE91103](https://www.pasternack.com/sma-male-mini-smp-female-straight-adapter-pe91103-p.aspx)

URL: <https://www.pasternack.com/sma-male-mini-smp-female-straight-adapter-pe91103-p.aspx>

The information contained in this document is accurate to the best of our knowledge and representative of the part described herein. It may be necessary to make modifications to the part and/or the documentation of the part, in order to implement improvements. Pasternack reserves the right to make such changes as required. Unless otherwise stated, all specifications are nominal. Pasternack does not make any representation or warranty regarding the suitability of the part described herein for any particular purpose, and Pasternack does not assume any liability arising out of the use of any part or documentation.

# PE91103 CAD Drawing

Precision SMA Male to Mini SMP Female Adapter



NOTES:  
 1. UNLESS OTHERWISE SPECIFIED ALL DIMENSIONS ARE NOMINAL.  
 2. ALL SPECIFICATIONS ARE SUBJECT TO CHANGE WITHOUT NOTICE AT ANY TIME.  
 3. DIMENSIONS ARE IN INCHES [mm].

DWG TITLE  
**PE91103**

FSCM NO. 53919

2233

SIZE A

SCALE N/A

CAD FILE 091913

**PE PASTERNAK®**  
 Pasternack Enterprises, Inc.  
 P.O. Box 16759 | Irvine | CA | 92623  
 Phone: (949) 261-1920 | Fax: (949) 261-7451  
 Website: www.pasternack.com | E-Mail: sales@pasternack.com