



## Low PIM 4.1/9.5 Mini DIN Female to N Male Adapter

### RF Adapters Technical Data Sheet

PE91094

#### Configuration

- 4.1/9.5 Mini DIN Female Connector 1
- N Male Connector 2
- 50 Ohms
- Low PIM Design
- Straight Body Geometry

#### Features

- Max VSWR of 1.25:1 up to 6 GHz
- PIM levels lower than -160 dBc
- Silver Plated Beryllium Copper Contact
- 5 µm min Silver Contact Plating

#### Applications

- Allows Connection Between Series
- General Purpose Test

#### Description

Pasternack's PE91094 Low PIM 4.1/9.5 Mini DIN female to type N male adapter is part of our full line of RF components available for same-day shipping. Our 4.1/9.5 Mini DIN to type N adapter has a female to male gender configuration in a Low PIM design. PE91094 4.1/9.5 Mini DIN female to type N male adapter operates to 6 GHz. The Pasternack RF adapter provides excellent VSWR of 1.25:1 maximum and passive intermodulation of -160 dBc maximum.

RF adapters are often used to enable connections between two connector types that would otherwise not mate. Certain adapter configurations can also be used to protect connectors on expensive equipment where the number of connect/disconnect cycles is high. An RF, microwave or millimeter wave adapter is connected to the equipment, and the commonly changed connection is made with the adapter which can be easily replaced when it wears out after high usage; such adapters are referred to as connector savers. Pasternack also offers bulkhead, panel mount, hermetically sealed, reverse polarity, and isolated ground adapter varieties to serve all of your RF, microwave and millimeter wave needs.

#### Electrical Specifications

Description	Minimum	Typical	Maximum	Units
Frequency Range	DC		6	GHz
VSWR			1.25:1	
Passive Intermodulation using 2x20W tones			-160	dBc
Operating Voltage (AC)			1,000	Vrms
Dielectric Withstanding Voltage (AC)			2,500	Vrms

#### Performance by Frequency

Description	F1	F2	F3	F4	F5	Units
Frequency Range	DC to 3	3 to 4	4 to 6			GHz
VSWR, Max	1.1:1	1.15:1	1.25:1			

Click the following link (or enter part number in "SEARCH" on website) to obtain additional part information including price, inventory and certifications: [Low PIM 4.1/9.5 Mini DIN Female to N Male Adapter PE91094](#)



# Low PIM 4.1/9.5 Mini DIN Female to N Male Adapter

## RF Adapters Technical Data Sheet

PE91094

Electrical Specification Notes:  
 Values at 25°C, sea level.

### Mechanical Specifications

**Size**

Length 1.85 in [46.99 mm]  
 Width 0.79 in [20.07 mm]  
 Weight 0.159 lbs [72.12 g]

Description	Connector 1	Connector 2
Type	4.1/9.5 Mini DIN Female	N Male
Polarity	Standard	Standard
Mating Cycles	500	500
Hex Size		20 mm

### Material Specifications

Description	Connector 1		Connector 2	
	Material	Plating	Material	Plating
Type	4.1/9.5 Mini DIN Female		N Male	
Contact	Beryllium Copper	Silver 5 µm minimum	Beryllium Copper	Silver 5 µm minimum
Insulation	PTFE		PTFE	
Outer Conductor	Brass	Tri-Metal 3 µm minimum		
Body			Brass	Tri-Metal 3 µm minimum
Coupling Nut			Brass	Tri-Metal 3 µm minimum

### Environmental Specifications

**Temperature**

Operating Range -55 to +120 deg C

**Compliance Certifications** (see [product page](#) for current document)

### Plotted and Other Data

Notes:

Click the following link (or enter part number in "SEARCH" on website) to obtain additional part information including price, inventory and certifications: [Low PIM 4.1/9.5 Mini DIN Female to N Male Adapter PE91094](#)





## Low PIM 4.1/9.5 Mini DIN Female to N Male Adapter

### RF Adapters Technical Data Sheet

PE91094

Low PIM 4.1/9.5 Mini DIN Female to N Male Adapter from Pasternack Enterprises has same day shipment for domestic and International orders. Our RF, microwave and millimeter wave products maintain a 99% availability and are part of the broadest selection in the industry.

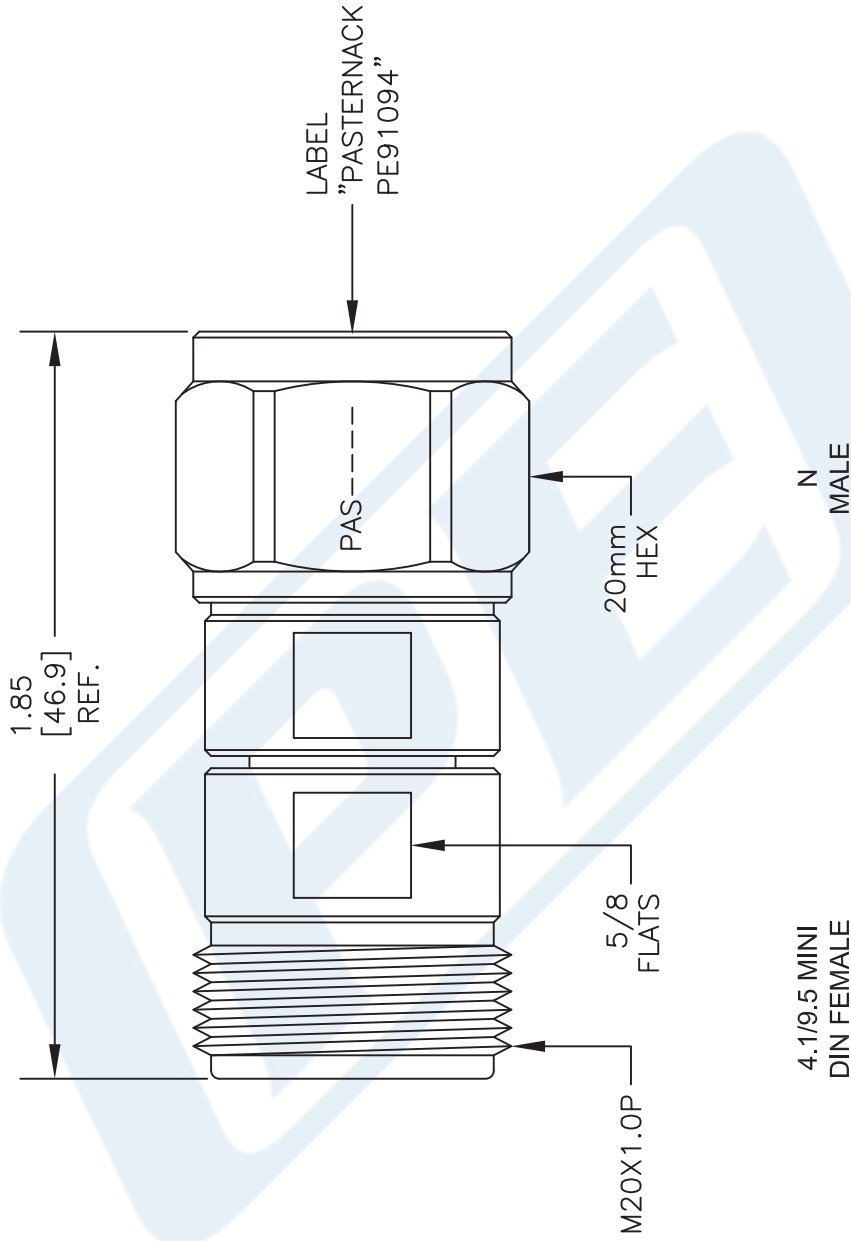
Click the following link (or enter part number in "SEARCH" on website) to obtain additional part information including price, inventory and certifications: [Low PIM 4.1/9.5 Mini DIN Female to N Male Adapter PE91094](https://www.pasternack.com/4.1-9.5-mini-din-female-n-male-straight-adapter-pe91094-p.aspx)

URL: <https://www.pasternack.com/4.1-9.5-mini-din-female-n-male-straight-adapter-pe91094-p.aspx>

The information contained in this document is accurate to the best of our knowledge and representative of the part described herein. It may be necessary to make modifications to the part and/or the documentation of the part, in order to implement improvements. Pasternack reserves the right to make such changes as required. Unless otherwise stated, all specifications are nominal. Pasternack does not make any representation or warranty regarding the suitability of the part described herein for any particular purpose, and Pasternack does not assume any liability arising out of the use of any part or documentation.

# PE91094 CAD Drawing

Low PIM 4.1/9.5 Mini DIN Female to N Male Adapter



STANDARD TOLERANCES	
.X	±0.2
.XX	±0.1
.XXX	±0.05

\*STANDARD TOLERANCES APPLY ONLY TO DIMENSIONS IN INCHES

NOTES: 1. UNLESS OTHERWISE SPECIFIED ALL DIMENSIONS ARE NOMINAL. 2. ALL SPECIFICATIONS ARE SUBJECT TO CHANGE WITHOUT NOTICE AT ANY TIME. 3. DIMENSIONS ARE IN INCHES [mm].			
CAD FILE	082816	SCALE	N/A
SIZE	A		41742

DWG TITLE	PE91094
FSCM NO.	53919


**PASTERNAK**  
 THE ENGINEER'S RF SOURCE  
 Pasternack Enterprises, Inc.  
 P.O. Box 16759 | Irvine | CA | 92623  
 Phone: (949) 261-1920 | Fax: (949) 261-7451  
 Website: www.pasternack.com | E-Mail: sales@pasternack.com