



## BNC Male to C Female Adapter

### RF Adapters Technical Data Sheet

PE9109

#### Configuration

- BNC Male Connector 1
- C Female Connector 2
- 50 Ohms
- Straight Body Geometry

#### Features

- BNC Interface compliant with MIL-STD-348
- C Interface compliant with MIL-STD-348
- Silver Plated Contact
- Contact Plating per QQ-S-365

#### Applications

- Allows Connection Between Series
- General Purpose Test

#### Description

Pasternack's PE9109 BNC male to type C female adapter is part of our full line of RF components available for same-day shipping. Our BNC to type C adapter has a male to female gender configuration.

RF adapters are often used to enable connections between two connector types that would otherwise not mate. Certain adapter configurations can also be used to protect connectors on expensive equipment where the number of connect/disconnect cycles is high. An RF, microwave or millimeter wave adapter is connected to the equipment, and the commonly changed connection is made with the adapter which can be easily replaced when it wears out after high usage; such adapters are referred to as connector savers. Pasternack also offers bulkhead, panel mount, hermetically sealed, reverse polarity, and isolated ground adapter varieties to serve all of your RF, microwave and millimeter wave needs.

#### Mechanical Specifications

##### Size

Length	1.33 in [33.78 mm]
Width	0.63 in [16 mm]
Weight	0.055 lbs [24.95 g]

Description	Connector 1	Connector 2
Type	BNC Male	C Female
Polarity	Standard	Standard
Interface Specification	MIL-STD-348	MIL-STD-348

Click the following link (or enter part number in "SEARCH" on website) to obtain additional part information including price, inventory and certifications: [BNC Male to C Female Adapter PE9109](#)



## BNC Male to C Female Adapter

### RF Adapters Technical Data Sheet

PE9109

#### Material Specifications

Description	Connector 1		Connector 2	
	Material	Plating	Material	Plating
Type	BNC Male		C Female	
Contact		Silver QQ-S-365		Silver QQ-S-365
Insulation	PTFE		PTFE	
Outer Conductor			Brass	Nickel QQ-N-290
Body	Brass	Nickel QQ-N-290		
Coupling Nut	Brass	Nickel QQ-N-290		

#### Compliance Certifications (see [product page](#) for current document)

BNC Male to C Female Adapter from Pasternack Enterprises has same day shipment for domestic and International orders. Our RF, microwave and millimeter wave products maintain a 99% availability and are part of the broadest selection in the industry.

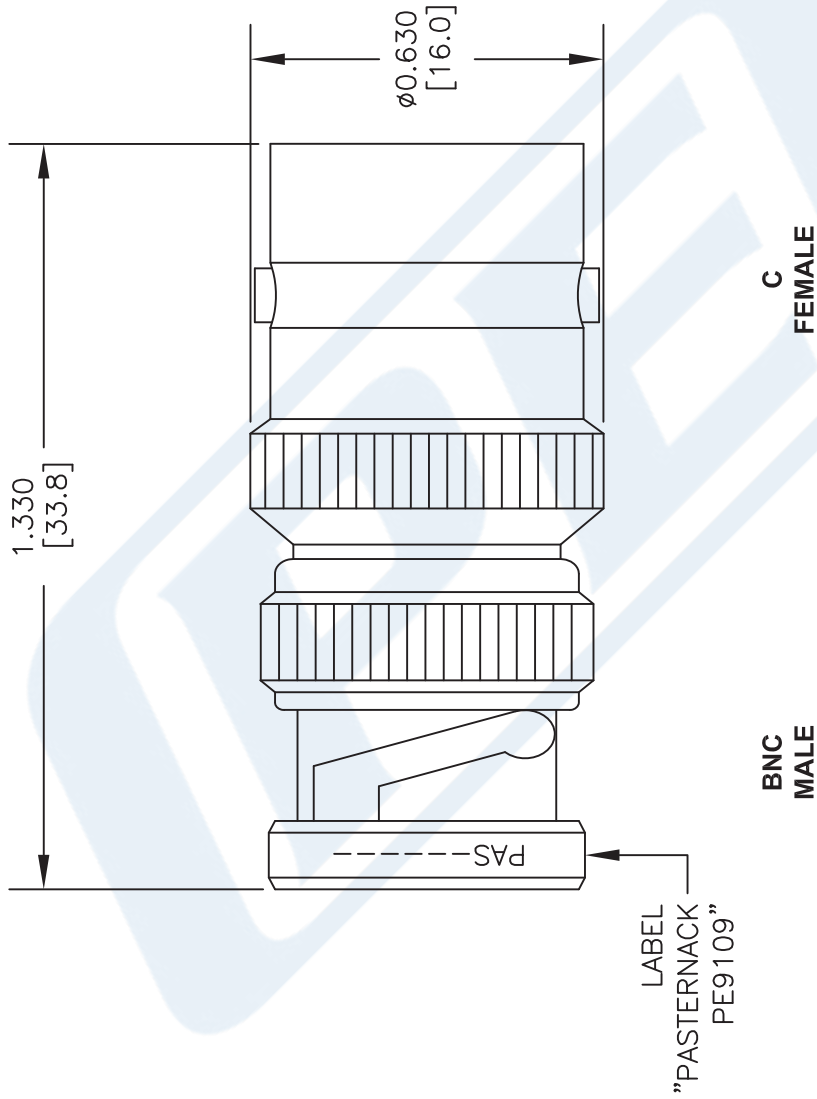
Click the following link (or enter part number in "SEARCH" on website) to obtain additional part information including price, inventory and certifications: [BNC Male to C Female Adapter PE9109](#)

URL: <https://www.pasternack.com/bnc-male-c-female-straight-adapter-pe9109-p.aspx>

The information contained in this document is accurate to the best of our knowledge and representative of the part described herein. It may be necessary to make modifications to the part and/or the documentation of the part, in order to implement improvements. Pasternack reserves the right to make such changes as required. Unless otherwise stated, all specifications are nominal. Pasternack does not make any representation or warranty regarding the suitability of the part described herein for any particular purpose, and Pasternack does not assume any liability arising out of the use of any part or documentation.

# PE9109 CAD Drawing

## BNC Male to C Female Adapter



### STANDARD TOLERANCES

DECIMAL  
.XX  $\pm 0.02$   
.XXX  $\pm 0.005$

\*STANDARD TOLERANCES APPLY  
ONLY TO DIMENSIONS IN INCHES



THE ENGINEER'S RF SOURCE  
Pasternack Enterprises, Inc.  
P.O. Box 16759 | Irvine | CA | 92623

Phone: (949) 261-1920 | Fax: (949) 261-7451

Website: [www.pasternack.com](http://www.pasternack.com) | E-Mail: [sales@pasternack.com](mailto:sales@pasternack.com)

DWG TITLE

**PE9109**

FSCM NO. 53919

NOTES:  
1. UNLESS OTHERWISE SPECIFIED ALL DIMENSIONS ARE NOMINAL.  
2. ALL SPECIFICATIONS ARE SUBJECT TO CHANGE WITHOUT NOTICE AT ANY TIME.  
3. DIMENSIONS ARE IN INCHES [mm].

CAD FILE 052616

SCALE N/A

SIZE A

3045