



75 Ohm TNC Female to F Male Adapter

RF Adapters Technical Data Sheet

PE91083

Configuration

- TNC Female Connector 1
- F Male Connector 2
- 75 Ohms
- Straight Body Geometry

Features

- Max VSWR of 1.35:1 up to 2 GHz
- TNC Interface compliant with MIL-STD-348
- F Interface compliant with MIL-C-39012
- Gold over Nickel Plated Brass Contact
- Contact Plating per MIL-G-45204

Applications

- Allows Connection Between Series
- General Purpose Test

Description

Pasternack's PE91083 75 ohm TNC female to type F male adapter is part of our full line of RF components available for same-day shipping. Our TNC to type F adapter has a female to male gender configuration. PE91083 TNC female to type F male adapter operates to 2 GHz. The Pasternack RF adapter provides good VSWR of 1.35:1 maximum.

RF adapters are often used to enable connections between two connector types that would otherwise not mate. Certain adapter configurations can also be used to protect connectors on expensive equipment where the number of connect/disconnect cycles is high. An RF, microwave or millimeter wave adapter is connected to the equipment, and the commonly changed connection is made with the adapter which can be easily replaced when it wears out after high usage; such adapters are referred to as connector savers. Pasternack also offers bulkhead, panel mount, hermetically sealed, reverse polarity, and isolated ground adapter varieties to serve all of your RF, microwave and millimeter wave needs.

Electrical Specifications

Description	Minimum	Typical	Maximum	Units
Frequency Range	DC		2	GHz
VSWR			1.35:1	
Operating Voltage (AC)			500	Vrms
Dielectric Withstanding Voltage (AC)			1,500	Vrms
Insulation Resistance	5,000			MOhms

Electrical Specification Notes:
 Values at 25°C, sea level.

Mechanical Specifications

Size	
Length	1.22 in [30.99 mm]
Width	0.438 in [11.13 mm]
Weight	0.032 lbs [14.51 g]

Click the following link (or enter part number in "SEARCH" on website) to obtain additional part information including price, inventory and certifications: [75 Ohm TNC Female to F Male Adapter PE91083](#)



75 Ohm TNC Female to F Male Adapter

RF Adapters Technical Data Sheet

PE91083

Description	Connector 1	Connector 2
Type	TNC Female	F Male
Polarity	Standard	Standard
Interface Specification	MIL-STD-348	MIL-C-39012

Material Specifications

Description	Connector 1		Connector 2	
	Material	Plating	Material	Plating
Type	TNC Female		F Male	
Contact	Brass	Gold over Nickel MIL-G-45204	Brass	Gold over Nickel MIL-G-45204
Insulation	PTFE		PTFE	
Outer Conductor	Brass	Nickel QQ-N-290		
Body			Brass	Nickel QQ-P-35
Coupling Nut			Brass	Nickel QQ-P-35

Environmental Specifications

Temperature

Operating Range -65 to +165 deg C

Compliance Certifications (see [product page](#) for current document)

Plotted and Other Data

Notes:

Click the following link (or enter part number in "SEARCH" on website) to obtain additional part information including price, inventory and certifications: [75 Ohm TNC Female to F Male Adapter PE91083](#)





75 Ohm TNC Female to F Male Adapter

RF Adapters Technical Data Sheet

PE91083

75 Ohm TNC Female to F Male Adapter from Pasternack Enterprises has same day shipment for domestic and International orders. Our RF, microwave and millimeter wave products maintain a 99% availability and are part of the broadest selection in the industry.

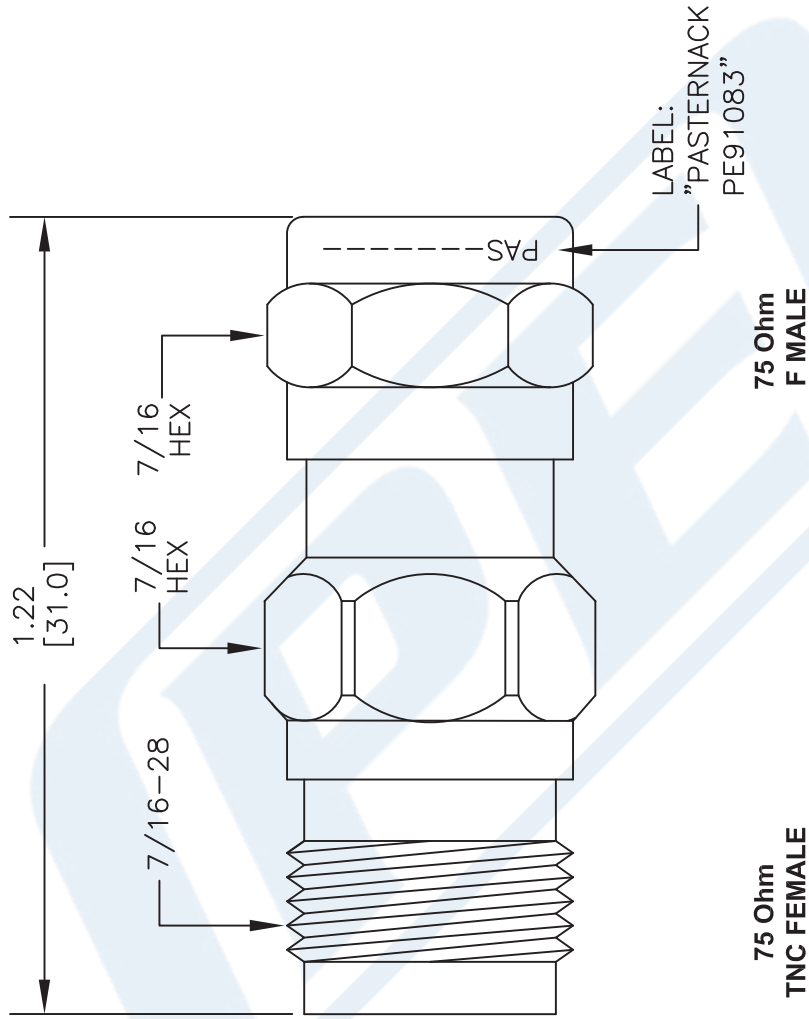
Click the following link (or enter part number in "SEARCH" on website) to obtain additional part information including price, inventory and certifications: [75 Ohm TNC Female to F Male Adapter PE91083](https://www.pasternack.com/tnc-female-f-male-straight-adapter-pe91083-p.aspx)

URL: <https://www.pasternack.com/tnc-female-f-male-straight-adapter-pe91083-p.aspx>

The information contained in this document is accurate to the best of our knowledge and representative of the part described herein. It may be necessary to make modifications to the part and/or the documentation of the part, in order to implement improvements. Pasternack reserves the right to make such changes as required. Unless otherwise stated, all specifications are nominal. Pasternack does not make any representation or warranty regarding the suitability of the part described herein for any particular purpose, and Pasternack does not assume any liability arising out of the use of any part or documentation.

PE91083 CAD Drawing

75 Ohm TNC Female to F Male Adapter



STANDARD TOLERANCES

DECIMAL ±0.02
 .XX ±0.005
 .XXX ±0.005

*STANDARD TOLERANCES APPLY ONLY TO DIMENSIONS IN INCHES



Pasternack Enterprises, Inc.
 P.O. Box 16759 | Irvine | CA | 92623
Phone: (949) 261-1920 | **Fax:** (949) 261-7451
Website: www.pasternack.com | **E-Mail:** sales@pasternack.com

DWG TITLE

PE91083

FSCM NO. 53919

NOTES:
 1. UNLESS OTHERWISE SPECIFIED ALL DIMENSIONS ARE NOMINAL.
 2. ALL SPECIFICATIONS ARE SUBJECT TO CHANGE WITHOUT NOTICE AT ANY TIME.
 3. DIMENSIONS ARE IN INCHES [mm].

CAD FILE 061116

SCALE N/A

SIZE A

3045