



## 75 Ohm TNC Female to F Female Adapter

### TECHNICAL DATA SHEET

PE91082

#### Configuration

Connector 1	TNC Female
Impedance 1	75 Ohms
Connector 2	F Female
Impedance 2	75 Ohms
Adapter Design	Standard
Body Style	Straight

#### Electrical Specifications

Frequency Range, GHz	DC to 2
Maximum VSWR	1.35:1

#### Mechanical Specifications

##### Temperature

Operating Range, deg C	-65 to +165
------------------------	-------------

##### Size

Length, in [mm]	1.08 [27.43]
Width/Dia., in [mm]	0.438 [11.13]

#### Connector 1

Type	TNC Female
Inner Conductor Material and Plating	Brass, Gold
Inner Conductor Plating Specification	MIL-G-45204
Outer Conductor Material and Plating	Brass, Nickel
Outer Conductor Plating Specification	MIL-G-45204
Body Material and Plating	Brass, Nickel
Body Plating Specification	MIL-G-45204
Dielectric Type	PTFE

#### Connector 2

Type	F Female
Inner Conductor Material and Plating	Brass, Gold
Inner Conductor Plating Specification	MIL-G-45204
Outer Conductor Material and Plating	Brass, Nickel
Outer Conductor Plating Specification	MIL-G-45204
Body Material and Plating	Brass, Nickel
Body Plating Specification	MIL-G-45204
Dielectric Type	PTFE

#### Compliance Certifications (visit [www.Pasternack.com](http://www.Pasternack.com) for current document)

RoHS Compliant	Yes
----------------	-----

Click the following link (or enter part number in "SEARCH" on website) to obtain additional part information including price, inventory and certifications: [75 Ohm TNC Female to F Female Adapter PE91082](#)

The information contained in this document is accurate to the best of our knowledge and representative of the part described herein. It may be necessary to make modifications to the part and/or the documentation of the part, in order to implement improvements. Pasternack reserves the right to make such changes as required. Unless otherwise stated, all specifications are nominal.



## 75 Ohm TNC Female to F Female Adapter

### TECHNICAL DATA SHEET

PE91082

#### Plotted and Other Data

Notes:

Values at 25 °C, sea level

75 Ohm TNC Female to F Female Adapter from Pasternack Enterprises has same day shipment for domestic and International orders. Our RF, microwave and fiber optic products maintain a 99% availability and are part of the broadest selection in the industry.

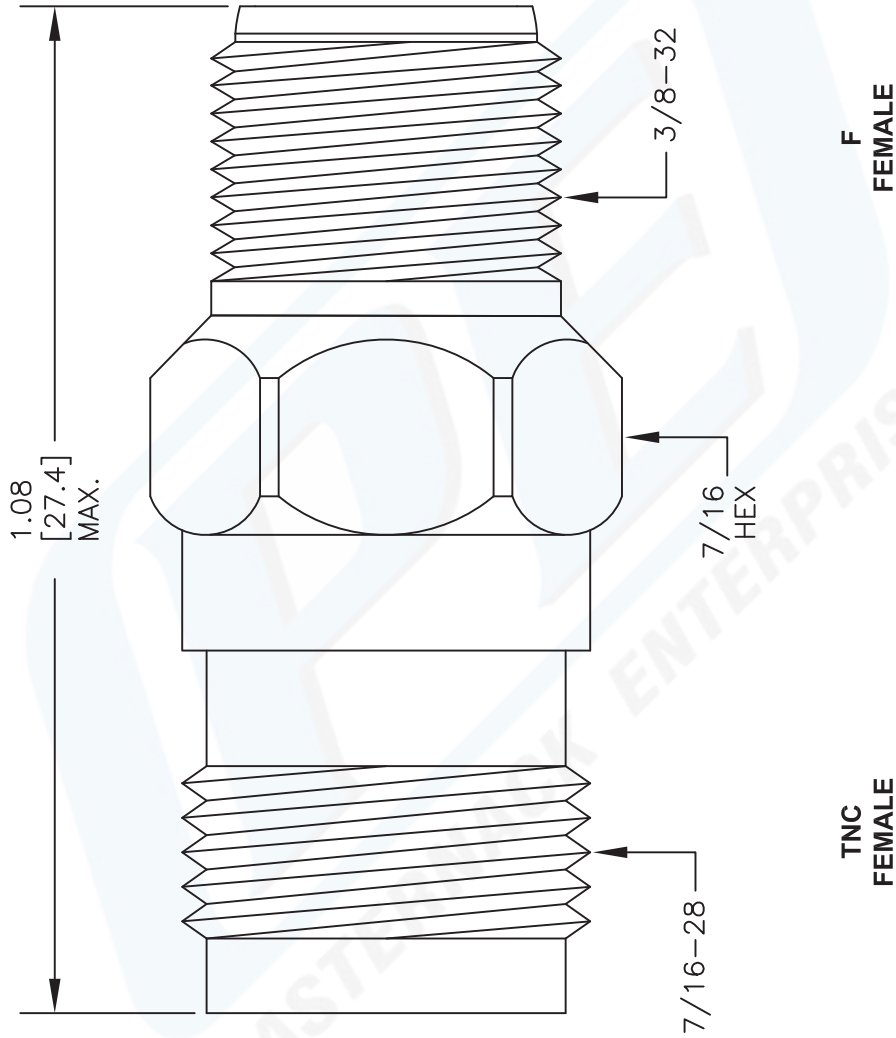
Click the following link (or enter part number in "SEARCH" on website) to obtain additional part information including price, inventory and certifications: [75 Ohm TNC Female to F Female Adapter PE91082](http://www.pasternack.com/tnc-female-f-female-straight-adapter-pe91082-p.aspx)

URL: <http://www.pasternack.com/tnc-female-f-female-straight-adapter-pe91082-p.aspx>

The information contained in this document is accurate to the best of our knowledge and representative of the part described herein. It may be necessary to make modifications to the part and/or the documentation of the part, in order to implement improvements. Pasternack reserves the right to make such changes as required. Unless otherwise stated, all specifications are nominal.

# PE91082 CAD Drawing

## 75 Ohm TNC Female to F Female Adapter



**NOTES:**  
 1. UNLESS OTHERWISE SPECIFIED ALL DIMENSIONS ARE NOMINAL.  
 2. ALL SPECIFICATIONS ARE SUBJECT TO CHANGE WITHOUT NOTICE AT ANY TIME.  
 3. DIMENSIONS ARE IN INCHES [mm].

DWG TITLE  
**PE91082**

FSCM NO. 53919

150

SIZE A

SCALE N/A

CAD FILE 010814

**PE PASTERNAK®**  
 Pasternack Enterprises, Inc.  
 P.O. Box 16759 | Irvine | CA | 92623  
**Phone:** (949) 261-1920 | **Fax:** (949) 261-7451  
**Website:** www.pasternack.com | **E-Mail:** sales@pasternack.com