



# Precision SMA Female to ZMA Jack Adapter 4 Lug

## RF Adapters Technical Data Sheet

PE91077

### Configuration

- SMA Female Connector 1
- ZMA Jack Connector 2
- 50 Ohms
- Precision Design
- Straight Body Geometry

### Features

- Max VSWR of 1.15:1 up to 18 GHz
- Gold over Nickel Plated Beryllium Copper Contact
- Contact Plating per MIL-G-45204

### Applications

- Allows Connection Between Series
- General Purpose Test
- Precision Test & Measurement

### Description

Pasternack's PE91077 precision SMA female to ZMA jack adapter is part of our full line of RF components available for same-day shipping. The SMA connector mates mechanically with commercially available 3.5mm and 2.92mm (K) connectors. Our SMA to ZMA adapter has a female to jack gender configuration in a precision design. PE91077 SMA female to ZMA jack adapter operates to 18 GHz. The Pasternack RF adapter provides excellent VSWR of 1.15:1 maximum.

RF adapters are often used to enable connections between two connector types that would otherwise not mate. Certain adapter configurations can also be used to protect connectors on expensive equipment where the number of connect/disconnect cycles is high. An RF, microwave or millimeter wave adapter is connected to the equipment, and the commonly changed connection is made with the adapter which can be easily replaced when it wears out after high usage; such adapters are referred to as connector savers. Pasternack also offers bulkhead, panel mount, hermetically sealed, reverse polarity, and isolated ground adapter varieties to serve all of your RF, microwave and millimeter wave needs.

### Electrical Specifications

Description	Minimum	Typical	Maximum	Units
Frequency Range	DC		18	GHz
VSWR			1.15:1	
Insertion Loss			0.22	dB

Electrical Specification Notes:  
 Values at 25°C, sea level.  
 Insertion Loss (dB) =  $0.05 \cdot \sqrt{f(\text{GHz})}$ .

### Mechanical Specifications

Size	
Length	0.814 in [20.68 mm]
Weight	0.001 lbs [0.45 g]

Click the following link (or enter part number in "SEARCH" on website) to obtain additional part information including price, inventory and certifications: [Precision SMA Female to ZMA Jack Adapter 4 Lug PE91077](#)





Precision SMA Female to ZMA Jack Adapter 4 Lug

RF Adapters Technical Data Sheet

PE91077

Description	Connector 1	Connector 2
Type	SMA Female	ZMA Jack
Polarity	Standard	Standard
Mating Cycles	500	500

**Material Specifications**

Description	Connector 1		Connector 2	
	Material	Plating	Material	Plating
Type	SMA Female		ZMA Jack	
Contact	Beryllium Copper	Gold over Nickel MIL-G-45204	Beryllium Copper	Gold over Nickel MIL-G-45204
Insulation	PTFE		PTFE	
Outer Conductor	Passivated Stainless Steel	ASTM A380	Passivated Stainless Steel	ASTM A380

**Environmental Specifications**

**Temperature**

Operating Range -55 to +100 deg C

Vibration  
Salt Spray

MIL-STD-202, Method 204, Cond. D (20G's)  
MIL-STD-202, Method 101, Cond. B, 5% salt solution

**Compliance Certifications** (see [product page](#) for current document)

**Plotted and Other Data**

Notes:

Click the following link (or enter part number in "SEARCH" on website) to obtain additional part information including price, inventory and certifications: [Precision SMA Female to ZMA Jack Adapter 4 Lug PE91077](#)





## Precision SMA Female to ZMA Jack Adapter 4 Lug

### RF Adapters Technical Data Sheet

PE91077

Precision SMA Female to ZMA Jack Adapter 4 Lug from Pasternack Enterprises has same day shipment for domestic and International orders. Our RF, microwave and millimeter wave products maintain a 99% availability and are part of the broadest selection in the industry.

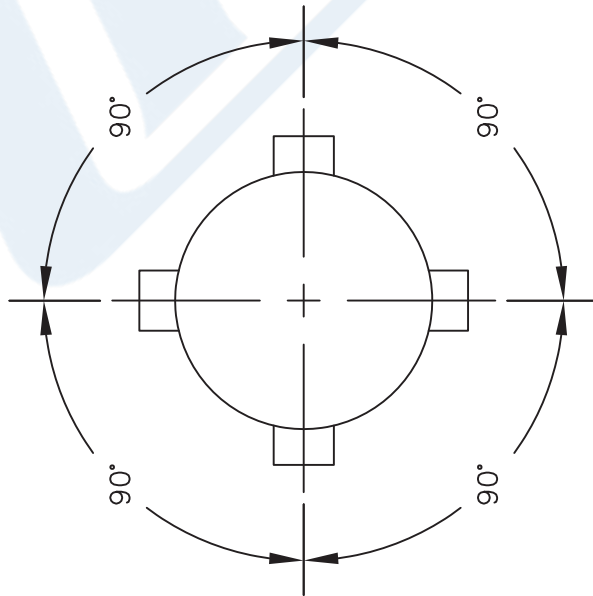
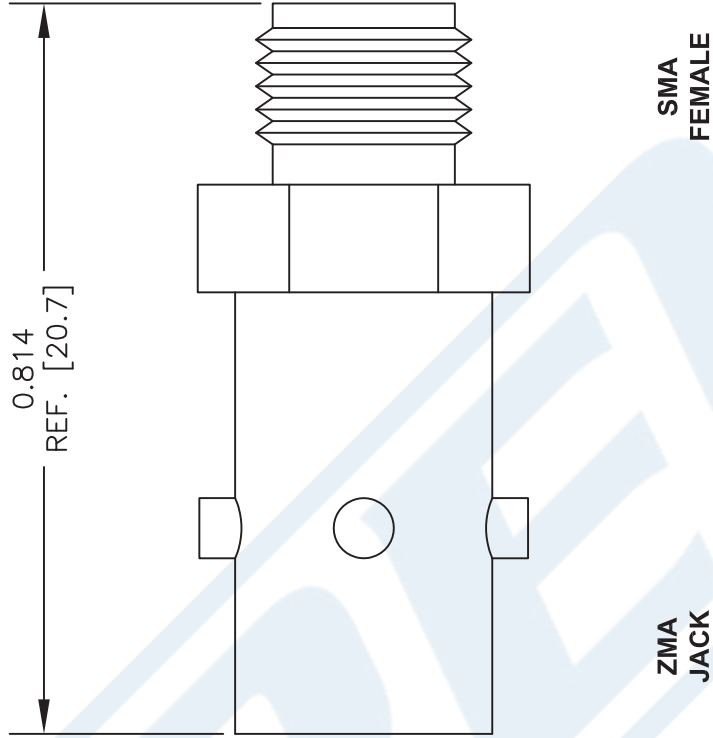
Click the following link (or enter part number in "SEARCH" on website) to obtain additional part information including price, inventory and certifications: [Precision SMA Female to ZMA Jack Adapter 4 Lug PE91077](https://www.pasternack.com/sma-female-zma-jack-straight-adapter-pe91077-p.aspx)

URL: <https://www.pasternack.com/sma-female-zma-jack-straight-adapter-pe91077-p.aspx>

The information contained in this document is accurate to the best of our knowledge and representative of the part described herein. It may be necessary to make modifications to the part and/or the documentation of the part, in order to implement improvements. Pasternack reserves the right to make such changes as required. Unless otherwise stated, all specifications are nominal. Pasternack does not make any representation or warranty regarding the suitability of the part described herein for any particular purpose, and Pasternack does not assume any liability arising out of the use of any part or documentation.

# PE91077 CAD Drawing

Precision SMA Female to ZMA Jack Adapter 4 Lug



NOTES:  
1. UNLESS OTHERWISE SPECIFIED ALL DIMENSIONS ARE NOMINAL.  
2. ALL SPECIFICATIONS ARE SUBJECT TO CHANGE WITHOUT NOTICE AT ANY TIME.  
3. DIMENSIONS ARE IN INCHES [mm].

DWG TITLE  
**PE91077**

FSCM NO. 53919

CAD FILE 092013

SCALE N/A

SIZE A

2233

**PE PASTERNAK®**  
Pasternack Enterprises, Inc.  
P.O. Box 16759 | Irvine | CA | 92623  
Phone: (949) 261-1920 | Fax: (949) 261-7451  
Website: [www.pasternack.com](http://www.pasternack.com) | E-Mail: [sales@pasternack.com](mailto:sales@pasternack.com)