



# Precision SMA Female to ZMA Plug Adapter 3 Lug

## RF Adapters Technical Data Sheet

PE91075

### Configuration

- SMA Female Connector 1
- ZMA Plug Connector 2
- 50 Ohms
- Precision Design
- Straight Body Geometry

### Features

- Max VSWR of 1.15:1 up to 18 GHz
- Gold over Nickel Plated Beryllium Copper Contact
- Contact Plating per MIL-G-45204

### Applications

- Allows Connection Between Series
- General Purpose Test
- Precision Test & Measurement

### Description

Pasternack's PE91075 precision SMA female to ZMA plug adapter is part of our full line of RF components available for same-day shipping. The SMA connector mates mechanically with commercially available 3.5mm and 2.92mm (K) connectors. Our SMA to ZMA adapter has a female to plug gender configuration in a precision design. PE91075 SMA female to ZMA plug adapter operates to 18 GHz. The Pasternack RF adapter provides excellent VSWR of 1.15:1 maximum.

RF adapters are often used to enable connections between two connector types that would otherwise not mate. Certain adapter configurations can also be used to protect connectors on expensive equipment where the number of connect/disconnect cycles is high. An RF, microwave or millimeter wave adapter is connected to the equipment, and the commonly changed connection is made with the adapter which can be easily replaced when it wears out after high usage; such adapters are referred to as connector savers. Pasternack also offers bulkhead, panel mount, hermetically sealed, reverse polarity, and isolated ground adapter varieties to serve all of your RF, microwave and millimeter wave needs.

### Electrical Specifications

Description	Minimum	Typical	Maximum	Units
Frequency Range	DC		18	GHz
VSWR			1.15:1	
Insertion Loss			0.22	dB

Electrical Specification Notes:  
 Values at 25°C, sea level.  
 Insertion Loss (dB) = 0.05\*sqrt(fGHz).

### Mechanical Specifications

Size	
Length	0.983 in [24.97 mm]
Weight	0.001 lbs [0.45 g]

Click the following link (or enter part number in "SEARCH" on website) to obtain additional part information including price, inventory and certifications: [Precision SMA Female to ZMA Plug Adapter 3 Lug PE91075](#)





Precision SMA Female to ZMA Plug Adapter 3 Lug

RF Adapters Technical Data Sheet

PE91075

Description	Connector 1	Connector 2
Type	SMA Female	ZMA Plug
Polarity	Standard	Standard
Mating Cycles	500	500

**Material Specifications**

Description	Connector 1		Connector 2	
	Material	Plating	Material	Plating
Type	SMA Female		ZMA Plug	
Contact	Beryllium Copper	Gold over Nickel MIL-G-45204	Beryllium Copper	Gold over Nickel MIL-G-45204
Insulation	PTFE		PTFE	
Outer Conductor	Passivated Stainless Steel	ASTM A380		
Body			Passivated Stainless Steel	ASTM A380
Coupling Nut			Passivated Stainless Steel	ASTM A380

**Environmental Specifications**

**Temperature**

Operating Range -55 to +100 deg C

**Vibration**

MIL-STD-202, Method 204, Cond. D (20G's)

**Salt Spray**

MIL-STD-202, Method 101, Cond. B, 5% salt solution

**Compliance Certifications** (see [product page](#) for current document)

**Plotted and Other Data**

Notes:

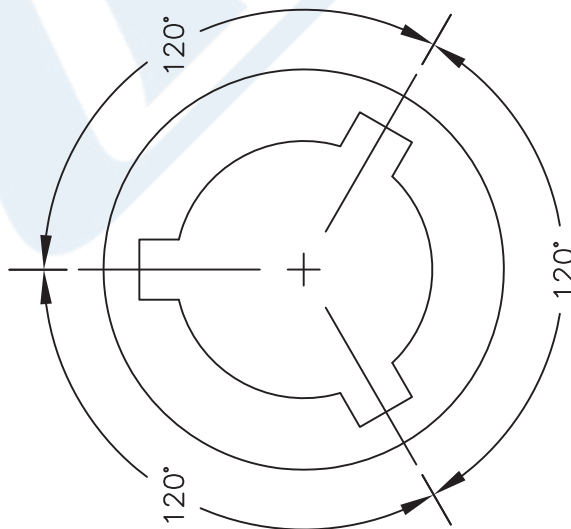
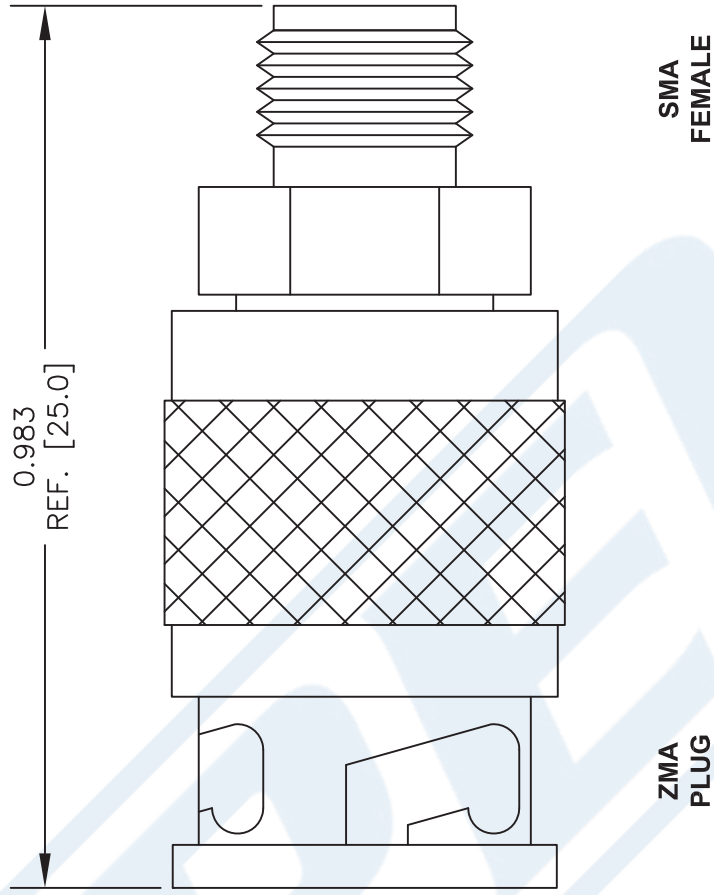
Click the following link (or enter part number in "SEARCH" on website) to obtain additional part information including price, inventory and certifications: [Precision SMA Female to ZMA Plug Adapter 3 Lug PE91075](#)





# PE91075 CAD Drawing

## Precision SMA Female to ZMA Plug Adapter 3 Lug



**NOTES:**  
 1. UNLESS OTHERWISE SPECIFIED ALL DIMENSIONS ARE NOMINAL.  
 2. ALL SPECIFICATIONS ARE SUBJECT TO CHANGE WITHOUT NOTICE AT ANY TIME.  
 3. DIMENSIONS ARE IN INCHES [mm].

DWG TITLE  
**PE91075**

FSCM NO. 53919

2233

SIZE A

SCALE N/A

CAD FILE 092013

**PE PASTERNAK®**  
 Pasternack Enterprises, Inc.  
 P.O. Box 16759 | Irvine | CA | 92623  
**Phone:** (949) 261-1920 | **Fax:** (949) 261-7451  
**Website:** www.pasternack.com | **E-Mail:** sales@pasternack.com