



Precision SMA Female to SMP Male Smooth Bore 2 Hole Flange Mount Adapter

RF Adapters Technical Data Sheet

PE91061

Configuration

- SMA Female Connector 1
- Smooth Bore SMP Male Connector 2
- 50 Ohm
- Precision Design
- Straight Body Geometry
- 2 Hole Flange Mount Method

Features

- Max VSWR of 1.2:1 up to 26.5 GHz
- SMA interface compliant with MIL-STD-348
- SMP interface compliant with MIL-STD-348
- Contact plating according to MIL-G-45204
- Gold Plated Beryllium Copper Contact
- Max VSWR of 1.2:1 up to 26.5 GHz
- SMA Interface compliant with MIL-STD-348
- SMP Interface compliant with MIL-STD-348
- Gold Plated Beryllium Copper Contact
- Contact Plating per MIL-G-45204

Applications

- Allows Connection Between Series
- Precision Test & Measurement
- Rack Mounted Equipment
- General Purpose Test
- Allows Connection Between Series
- Precision Test & Measurement
- Rack Mounted Equipment
- General Purpose Test

Description

Pasternack's PE91061 precision SMA female to SMP male smooth bore 2 hole flange adapter is part of our full line of RF components available for same-day shipping. The SMA connector mates mechanically with commercially available 3.5mm and 2.92mm (K) connectors. Our SMA to SMP adapter has a female to male gender configuration in a precision design. PE91061 SMA female to SMP male adapter operates to 26.5 GHz. The Pasternack RF adapter provides excellent VSWR of 1.2:1 maximum. This RF SMA to SMP 2 hole flange adapter allows designers to create external connections on their product enclosures, and can be used in a variety of other rack mount and panel mount applications.

RF adapters are often used to enable connections between two connector types that would otherwise not mate. Certain adapter configurations can also be used to protect connectors on expensive equipment where the number of connect/disconnect cycles is high. An RF, microwave or millimeter wave adapter is connected to the equipment, and the commonly changed connection is made with the adapter which can be easily replaced when it wears out after high usage; such adapters are referred to as connector savers. Pasternack also offers bulkhead, panel mount, hermetically sealed, reverse polarity, and isolated ground adapter varieties to serve all of your RF, microwave and millimeter wave needs.

Electrical Specifications

Description	Minimum	Typical	Maximum	Units
Frequency Range	DC		26.5	GHz
VSWR			1.2:1	

Electrical Specification Notes:
 Values at 25°C, sea level.

Mechanical Specifications

Size	
Length	0.78 in [19.81 mm]

Click the following link (or enter part number in "SEARCH" on website) to obtain additional part information including price, inventory and certifications: [Precision SMA Female to SMP Male Smooth Bore 2 Hole Flange Mount Adapter PE91061](#)



Precision SMA Female to SMP Male Smooth Bore 2 Hole Flange Mount Adapter

RF Adapters Technical Data Sheet

PE91061

Width 0.625 in [15.88 mm]
Weight 0.011 lbs [4.99 g]

Description	Connector 1	Connector 2
Type	SMA Female	SMP Male
Polarity	Standard	Standard
Interface Specification	MIL-STD-348	MIL-STD-348

Material Specifications

Description	Connector 1		Connector 2	
	Material	Plating	Material	Plating
Type	SMA Female		Smooth Bore SMP Male	
Contact	Beryllium Copper	Gold MIL-G-45204	Beryllium Copper	Gold MIL-G-45204
Insulation	PTFE		PTFE	
Outer Conductor	Passivated Stainless Steel	AMS-QQ-P-35		
Body			Passivated Stainless Steel	AMS-QQ-P-35

Environmental Specifications

Temperature

Operating Range -55 to +125 deg C

Compliance Certifications (see [product page](#) for current document)

Plotted and Other Data

Notes:

Click the following link (or enter part number in "SEARCH" on website) to obtain additional part information including price, inventory and certifications: [Precision SMA Female to SMP Male Smooth Bore 2 Hole Flange Mount Adapter PE91061](#)



Precision SMA Female to SMP Male Smooth Bore 2 Hole Flange Mount Adapter

RF Adapters Technical Data Sheet

PE91061

Precision SMA Female to SMP Male Smooth Bore 2 Hole Flange Mount Adapter from Pasternack Enterprises has same day shipment for domestic and International orders. Our RF, microwave and millimeter wave products maintain a 99.4% availability and are part of the broadest selection in the industry.

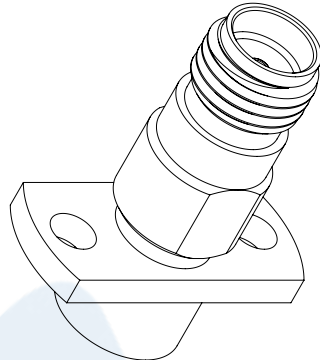
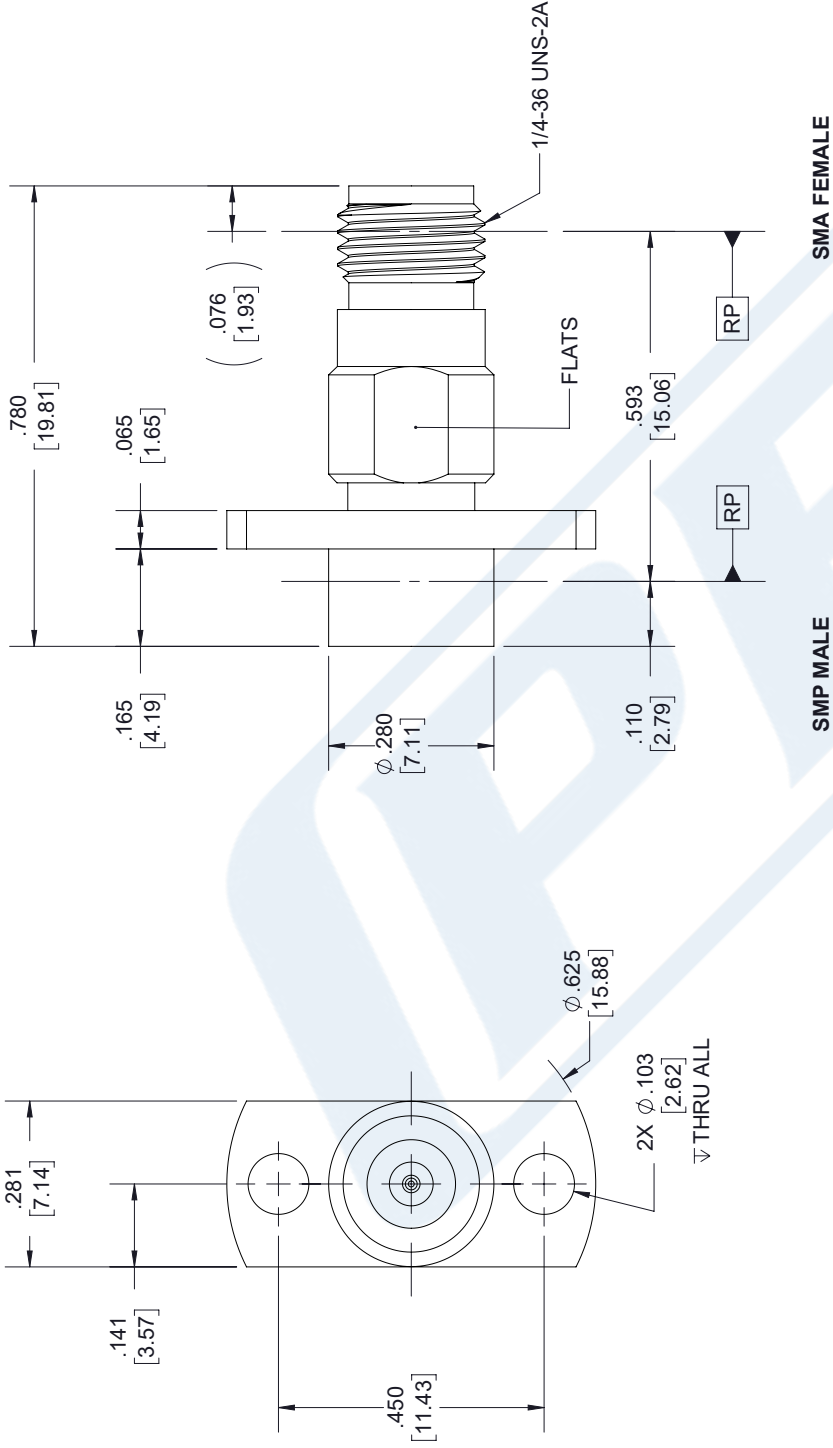
Click the following link (or enter part number in "SEARCH" on website) to obtain additional part information including price, inventory and certifications: [Precision SMA Female to SMP Male Smooth Bore 2 Hole Flange Mount Adapter PE91061](https://www.pasternack.com/sma-female-smp-male-straight-adapter-pe91061-p.aspx)

URL: <https://www.pasternack.com/sma-female-smp-male-straight-adapter-pe91061-p.aspx>

The information contained in this document is accurate to the best of our knowledge and representative of the part described herein. It may be necessary to make modifications to the part and/or the documentation of the part, in order to implement improvements. Pasternack reserves the right to make such changes as required. Unless otherwise stated, all specifications are nominal. Pasternack does not make any representation or warranty regarding the suitability of the part described herein for any particular purpose, and Pasternack does not assume any liability arising out of the use of any part or documentation.

PE91061 CAD Drawing

Precision SMA Female to SMP Male Smooth Bore 2 Hole Flange Mount Adapter



STANDARD TOLERANCES	
.X	± 0.2
.XX	± 0.01
.XXX	± 0.005

*STANDARD TOLERANCES APPLY ONLY TO DIMENSIONS IN INCHES



Pasternack Enterprises, Inc.
P.O. Box 16759 | Irvine | CA | 92623
Phone: (949) 261-1920 | Fax: (949) 261-7451
Website: www.pasternack.com | E-Mail: sales@pasternack.com

DWG TITLE
PE91061

NOTES:
1. UNLESS OTHERWISE SPECIFIED ALL DIMENSIONS ARE NOMINAL.
2. ALL SPECIFICATIONS ARE SUBJECT TO CHANGE WITHOUT NOTICE AT ANY TIME
3. DIMENSIONS ARE IN INCHES [mm].

CAGE CODE **53919**

CAD FILE 022218
SCALE N/A
SIZE A
7361