



2.4mm Female to SMP Female Adapter

RF Adapters Technical Data Sheet

PE91055

Configuration

- 2.4mm Female Connector 1
- SMP Female Connector 2
- 50 Ohm
- Straight Body Geometry

Features

- Max VSWR of 1.25:1 up to 40 GHz
- SMP interface compliant with MIL-STD-348
- Contact plating according to MIL-G-45204
- Gold Plated Beryllium Copper Contact

Applications

- Allows Connection Between Series
- General Purpose Test

Description

Pasternack's PE91055 2.4mm female to SMP female adapter is part of our full line of RF components available for same-day shipping. The 2.4mm connector mates mechanically with commercially available 1.85mm (V) connectors. Our 2.4mm to SMP adapter has a female to female gender configuration. PE91055 2.4mm female to SMP female adapter operates to 40 GHz. The Pasternack RF adapter provides excellent VSWR of 1.25:1 maximum.

RF adapters are often used to enable connections between two connector types that would otherwise not mate. Certain adapter configurations can also be used to protect connectors on expensive equipment where the number of connect/disconnect cycles is high. An RF, microwave or millimeter wave adapter is connected to the equipment, and the commonly changed connection is made with the adapter which can be easily replaced when it wears out after high usage; such adapters are referred to as connector savers. Pasternack also offers bulkhead, panel mount, hermetically sealed, reverse polarity, and isolated ground adapter varieties to serve all of your RF, microwave and millimeter wave needs.

Electrical Specifications

Description	Minimum	Typical	Maximum	Units
Frequency Range	DC		40	GHz
VSWR			1.25:1	

Electrical Specification Notes:
 Values at 25°C, sea level.

Mechanical Specifications

Size	
Length	0.815 in [20.7 mm]
Width	0.25 in [6.35 mm]
Weight	0.011 lbs [4.99 g]

Click the following link (or enter part number in "SEARCH" on website) to obtain additional part information including price, inventory and certifications: [2.4mm Female to SMP Female Adapter PE91055](#)



2.4mm Female to SMP Female Adapter

RF Adapters Technical Data Sheet

PE91055

Description	Connector 1	Connector 2
Type	2.4mm Female	SMP Female
Polarity	Standard	Standard
Interface Specification		MIL-STD-348

Material Specifications

Description	Connector 1		Connector 2	
	Material	Plating	Material	Plating
Type	2.4mm Female		SMP Female	
Contact	Beryllium Copper	Gold MIL-G-45204	Beryllium Copper	Gold MIL-G-45204
Insulation	PTFE		PTFE	
Outer Conductor	Beryllium Copper	Gold MIL-G-45204	Beryllium Copper	Gold MIL-G-45204

Environmental Specifications

Temperature

Operating Range -55 to +125 deg C

Compliance Certifications (see [product page](#) for current document)

Plotted and Other Data

Notes:

Click the following link (or enter part number in "SEARCH" on website) to obtain additional part information including price, inventory and certifications: [2.4mm Female to SMP Female Adapter PE91055](#)





2.4mm Female to SMP Female Adapter

RF Adapters Technical Data Sheet

PE91055

2.4mm Female to SMP Female Adapter from Pasternack Enterprises has same day shipment for domestic and International orders. Our RF, microwave and millimeter wave products maintain a 99% availability and are part of the broadest selection in the industry.

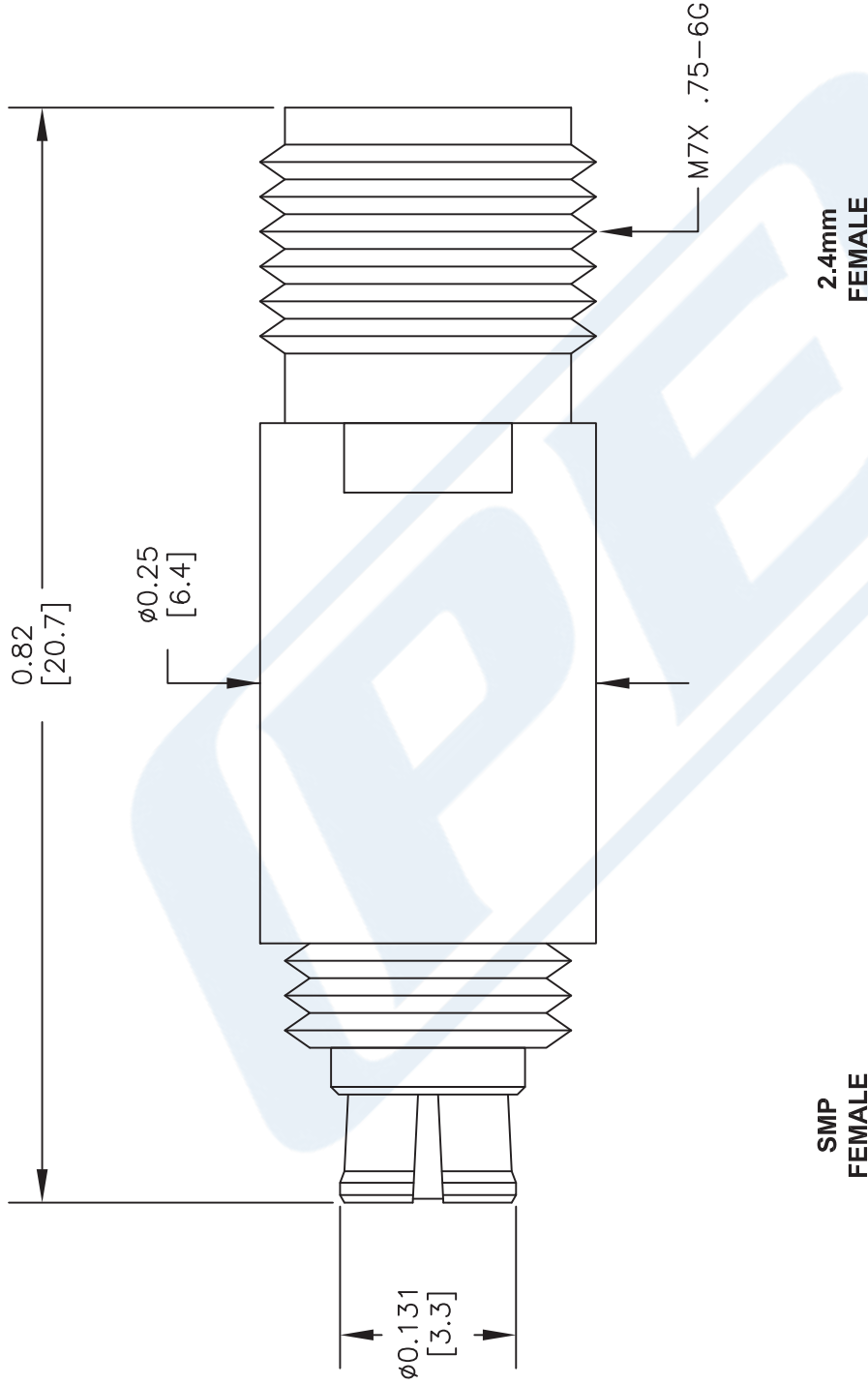
Click the following link (or enter part number in "SEARCH" on website) to obtain additional part information including price, inventory and certifications: [2.4mm Female to SMP Female Adapter PE91055](https://www.pasternack.com/2.4mm-female-smp-female-straight-adapter-pe91055-p.aspx)

URL: <https://www.pasternack.com/2.4mm-female-smp-female-straight-adapter-pe91055-p.aspx>

The information contained in this document is accurate to the best of our knowledge and representative of the part described herein. It may be necessary to make modifications to the part and/or the documentation of the part, in order to implement improvements. Pasternack reserves the right to make such changes as required. Unless otherwise stated, all specifications are nominal. Pasternack does not make any representation or warranty regarding the suitability of the part described herein for any particular purpose, and Pasternack does not assume any liability arising out of the use of any part or documentation.

PE91055 CAD Drawing

2.4mm Female to SMP Female Adapter



STANDARD TOLERANCES	
.X	±0.2
.XX	±0.1
.XXX	±0.05

*STANDARD TOLERANCES APPLY ONLY TO DIMENSIONS IN INCHES

 PASTERNAK <small>THE ENGINEER'S RF SOURCE</small> Pasternack Enterprises, Inc. P.O. Box 16759 Irvine CA 92623 Phone: (949) 261-1920 Fax: (949) 261-7451 Website: www.pasternack.com E-Mail: sales@pasternack.com		DWG TITLE PE91055	NOTES: 1. UNLESS OTHERWISE SPECIFIED ALL DIMENSIONS ARE NOMINAL. 2. ALL SPECIFICATIONS ARE SUBJECT TO CHANGE WITHOUT NOTICE AT ANY TIME. 3. DIMENSIONS ARE IN INCHES [mm].	
FSCM NO. 53919	CAD FILE 090116	SCALE N/A	SIZE A	41742