



## Precision SMA Female to Mini SMP Female Adapter

### RF Adapters Technical Data Sheet

PE91051

#### Configuration

- SMA Female Connector 1
- Mini SMP Female Connector 2
- 50 Ohms
- Precision Design
- Straight Body Geometry

#### Features

- Max VSWR of 1.2:1 up to 26.5 GHz
- SMA Interface compliant with MIL-STD-348
- Gold Plated Beryllium Copper Contact
- Contact Plating per MIL-G-45204

#### Applications

- Allows Connection Between Series
- General Purpose Test
- Precision Test & Measurement

#### Description

Pasternack's PE91051 precision SMA female to Mini SMP female adapter is part of our full line of RF components available for same-day shipping. The SMA connector mates mechanically with commercially available 3.5mm and 2.92mm (K) connectors. Our SMA to Mini SMP adapter has a female to female gender configuration in a precision design. PE91051 SMA female to Mini SMP female adapter operates to 26.5 GHz. The Pasternack RF adapter provides excellent VSWR of 1.2:1 maximum.

RF adapters are often used to enable connections between two connector types that would otherwise not mate. Certain adapter configurations can also be used to protect connectors on expensive equipment where the number of connect/disconnect cycles is high. An RF, microwave or millimeter wave adapter is connected to the equipment, and the commonly changed connection is made with the adapter which can be easily replaced when it wears out after high usage; such adapters are referred to as connector savers. Pasternack also offers bulkhead, panel mount, hermetically sealed, reverse polarity, and isolated ground adapter varieties to serve all of your RF, microwave and millimeter wave needs.

#### Electrical Specifications

Description	Minimum	Typical	Maximum	Units
Frequency Range	DC		26.5	GHz
VSWR			1.2:1	

Electrical Specification Notes:  
 Values at 25°C, sea level.

#### Mechanical Specifications

Size	
Length	0.714 in [18.14 mm]
Width	0.278 in [7.06 mm]
Weight	0.006 lbs [2.72 g]

Click the following link (or enter part number in "SEARCH" on website) to obtain additional part information including price, inventory and certifications: [Precision SMA Female to Mini SMP Female Adapter PE91051](#)



Precision SMA Female to Mini SMP Female Adapter

RF Adapters Technical Data Sheet

PE91051

Description	Connector 1	Connector 2
Type	SMA Female	Mini SMP Female
Polarity	Standard	Standard
Interface Specification	MIL-STD-348	

**Material Specifications**

Description	Connector 1		Connector 2	
	Material	Plating	Material	Plating
Type	SMA Female		Mini SMP Female	
Contact	Beryllium Copper	Gold MIL-G-45204	Beryllium Copper	Gold MIL-G-45204
Insulation	PTFE		PTFE	
Outer Conductor	Passivated Stainless Steel	AMS-QQ-P-35	Beryllium Copper	Gold MIL-G-45204

**Environmental Specifications**

**Temperature**

Operating Range -55 to +125 deg C

**Compliance Certifications** (see [product page](#) for current document)

**Plotted and Other Data**

Notes:

Click the following link (or enter part number in "SEARCH" on website) to obtain additional part information including price, inventory and certifications: [Precision SMA Female to Mini SMP Female Adapter PE91051](#)





## Precision SMA Female to Mini SMP Female Adapter

### RF Adapters Technical Data Sheet

PE91051

Precision SMA Female to Mini SMP Female Adapter from Pasternack Enterprises has same day shipment for domestic and International orders. Our RF, microwave and millimeter wave products maintain a 99% availability and are part of the broadest selection in the industry.

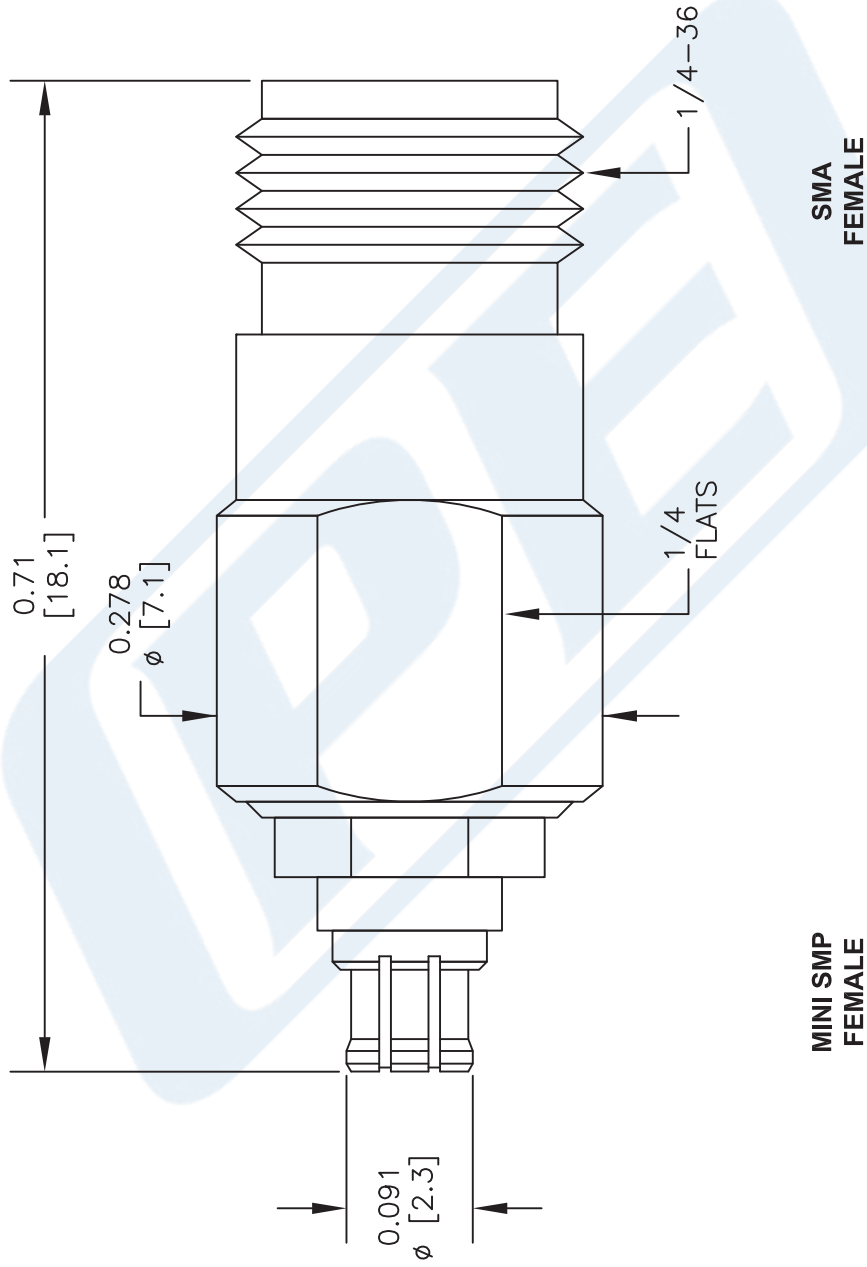
Click the following link (or enter part number in "SEARCH" on website) to obtain additional part information including price, inventory and certifications: [Precision SMA Female to Mini SMP Female Adapter PE91051](https://www.pasternack.com/sma-female-mini-smp-female-straight-adapter-pe91051-p.aspx)

URL: <https://www.pasternack.com/sma-female-mini-smp-female-straight-adapter-pe91051-p.aspx>

The information contained in this document is accurate to the best of our knowledge and representative of the part described herein. It may be necessary to make modifications to the part and/or the documentation of the part, in order to implement improvements. Pasternack reserves the right to make such changes as required. Unless otherwise stated, all specifications are nominal. Pasternack does not make any representation or warranty regarding the suitability of the part described herein for any particular purpose, and Pasternack does not assume any liability arising out of the use of any part or documentation.

# PE91051 CAD Drawing

Precision SMA Female to Mini SMP Female Adapter



DWG TITLE

**PE91051**

NOTES:  
1. UNLESS OTHERWISE SPECIFIED ALL DIMENSIONS ARE NOMINAL.  
2. ALL SPECIFICATIONS ARE SUBJECT TO CHANGE WITHOUT NOTICE AT ANY TIME.  
3. DIMENSIONS ARE IN INCHES [mm].

FSCM NO. 53919

CAD FILE 010614

SCALE N/A

SIZE A

2233

**PE PASTERNAK®**

Pasternack Enterprises, Inc.  
P.O. Box 16759 | Irvine | CA | 92623  
Phone: (949) 261-1920 | Fax: (949) 261-7451  
Website: [www.pasternack.com](http://www.pasternack.com) | E-Mail: [sales@pasternack.com](mailto:sales@pasternack.com)