



SMA Male to UMCX Jack Adapter

RF Adapters Technical Data Sheet

PE91007

Configuration

- SMA Male Connector 1
- UMCX Jack Connector 2
- 50 Ohms
- Straight Body Geometry

Features

- Max VSWR of 1.3:1 up to 6 GHz
- SMA interface compliant with MIL-STD-348A
- 50 µin minimum contact plating
- Gold Plated Brass Contact

Applications

- Allows Connection Between Series
- General Purpose Test

Description

Pasternack's PE91007 SMA male to UMCX jack adapter is part of our full line of RF components available for same-day shipping. The SMA connector mates mechanically with commercially available 3.5mm and 2.92mm (K) connectors. Our SMA to UMCX adapter has a male to jack gender configuration. PE91007 SMA male to UMCX jack adapter is gold plated and operates to 6 GHz. The Pasternack RF adapter provides good VSWR of 1.3:1 maximum.

RF adapters are often used to enable connections between two connector types that would otherwise not mate. Certain adapter configurations can also be used to protect connectors on expensive equipment where the number of connect/disconnect cycles is high. An RF, microwave or millimeter wave adapter is connected to the equipment, and the commonly changed connection is made with the adapter which can be easily replaced when it wears out after high usage; such adapters are referred to as connector savers. Pasternack also offers bulkhead, panel mount, hermetically sealed, reverse polarity, and isolated ground adapter varieties to serve all of your RF, microwave and millimeter wave needs.

Electrical Specifications

Description	Minimum	Typical	Maximum	Units
Frequency Range	DC		6	GHz
VSWR			1.3:1	
Operating Voltage (AC)			100	Vrms

Electrical Specification Notes:
 Values at 25° sea level.

Mechanical Specifications

Size	
Length	0.415 in [10.54 mm]
Width	0.315 in [8 mm]
Weight	0.006 lbs [2.72 g]

Click the following link (or enter part number in "SEARCH" on website) to obtain additional part information including price, inventory and certifications: [SMA Male to UMCX Jack Adapter PE91007](#)





SMA Male to UMCX Jack Adapter

RF Adapters Technical Data Sheet

PE91007

Description	Connector 1	Connector 2
Type	SMA Male	UMCX Jack
Polarity	Standard	Standard
Interface Specification	MIL-STD-348A	
Hex Size	5/16 inch	
Mating Torque	3 to 5 in-lbs [0.34 to 0.57 Nm]	

Material Specifications

Description	Connector 1		Connector 2	
	Material	Plating	Material	Plating
Type	SMA Male		UMCX Jack	
Contact	Brass	Gold 50 µin minimum	Brass	Gold 50 µin minimum
Insulation	PTFE		PTFE	
Outer Conductor			Brass	Gold 3 µin minimum
Body	Brass	Gold 3 µin minimum		

Environmental Specifications

Temperature

Operating Range

-40 to +90 deg C

Compliance Certifications (see [product page](#) for current document)

Plotted and Other Data

Notes:

Click the following link (or enter part number in "SEARCH" on website) to obtain additional part information including price, inventory and certifications: [SMA Male to UMCX Jack Adapter PE91007](#)





SMA Male to UMCX Jack Adapter

RF Adapters Technical Data Sheet

PE91007

SMA Male to UMCX Jack Adapter from Pasternack Enterprises has same day shipment for domestic and International orders. Our RF, microwave and millimeter wave products maintain a 99% availability and are part of the broadest selection in the industry.

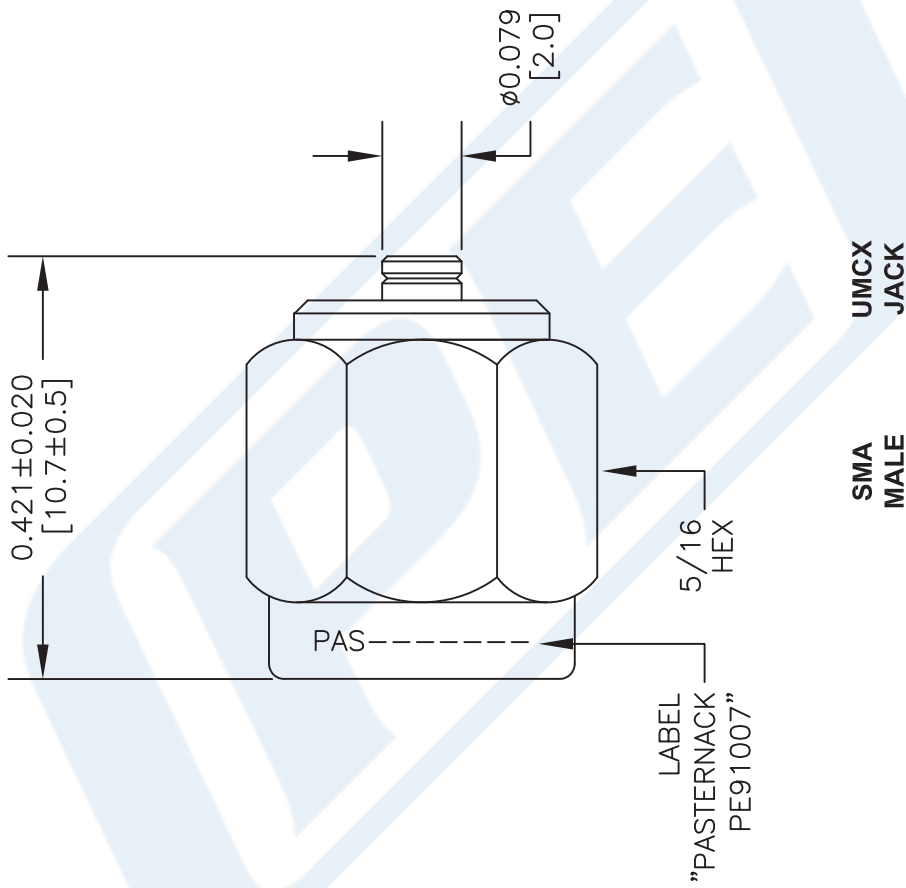
Click the following link (or enter part number in "SEARCH" on website) to obtain additional part information including price, inventory and certifications: [SMA Male to UMCX Jack Adapter PE91007](#)

URL: <https://www.pasternack.com/sma-male-umcx-jack-straight-adapter-pe91007-p.aspx>

The information contained in this document is accurate to the best of our knowledge and representative of the part described herein. It may be necessary to make modifications to the part and/or the documentation of the part, in order to implement improvements. Pasternack reserves the right to make such changes as required. Unless otherwise stated, all specifications are nominal. Pasternack does not make any representation or warranty regarding the suitability of the part described herein for any particular purpose, and Pasternack does not assume any liability arising out of the use of any part or documentation.

PE91007 CAD Drawing

SMA Male to UMCX Jack Adapter



STANDARD TOLERANCES
 .X ±0.2
 .XX ±0.1
 .XXX ±0.05

*STANDARD TOLERANCES APPLY ONLY TO DIMENSIONS IN INCHES

NOTES:
 1. UNLESS OTHERWISE SPECIFIED ALL DIMENSIONS ARE NOMINAL.
 2. ALL SPECIFICATIONS ARE SUBJECT TO CHANGE WITHOUT NOTICE AT ANY TIME.
 3. DIMENSIONS ARE IN INCHES [mm].

DWG TITLE
PE91007

FSCM NO. 53919

CAD FILE 021216

SCALE N/A

SIZE A

3045

PE PASTERNAK
 THE ENGINEER'S RF SOURCE
 Pasternack Enterprises, Inc.
 P.O. Box 16759 | Irvine | CA | 92623
 Phone: (949) 261-1920 | Fax: (949) 261-7451
 Website: www.pasternack.com | E-Mail: sales@pasternack.com