



50 Ohm SMA Female to 75 Ohm F Male Adapter

TECHNICAL DATA SHEET

PE91001

50 Ohm SMA Female to 75 Ohm F Male Adapter

Configuration

| | |
|----------------|------------|
| Connector 1 | SMA Female |
| Impedance 1 | 50 Ohms |
| Connector 2 | F Male |
| Impedance 2 | 75 Ohms |
| Adapter Design | Standard |
| Body Style | Straight |

Mechanical Specifications

Size

| | |
|---------------------|---------------|
| Length, in [mm] | 0.995 [25.27] |
| Width/Dia., in [mm] | 0.438 [11.13] |

Connector 1

| | |
|--------------------------------------|---------------|
| Type | SMA Female |
| Inner Conductor Material and Plating | Gold |
| Body Material and Plating | Brass, Nickel |
| Dielectric Type | PTFE |

Connector 2

| | |
|--------------------------------------|---------------|
| Type | F Male |
| Inner Conductor Material and Plating | Gold |
| Coupling Nut Material and Plating | Brass, Nickel |
| Hex Size, in. | 7/16 |
| Torque, in-lbs [Nm] | 15 [1.7] |
| Body Material and Plating | Brass, Nickel |
| Dielectric Type | PTFE |

Click the following link (or enter part number in "SEARCH" on website) to obtain additional part information including price, inventory and certifications: [50 Ohm SMA Female to 75 Ohm F Male Adapter PE91001](#)

The information contained in this document is accurate to the best of our knowledge and representative of the part described herein. It may be necessary to make modifications to the part and/or the documentation of the part, in order to implement improvements. Pasternack reserves the right to make such changes as required. Unless otherwise stated, all specifications are nominal.





50 Ohm SMA Female to 75 Ohm F Male Adapter

TECHNICAL DATA SHEET

PE91001

Compliance Certifications (visit www.Pasternack.com for current document)

Plotted and Other Data

Notes:

Values at 25 °C, sea level

50 Ohm SMA Female to 75 Ohm F Male Adapter from Pasternack Enterprises has same day shipment for domestic and International orders. Our RF, microwave and fiber optic products maintain a 99% availability and are part of the broadest selection in the industry.

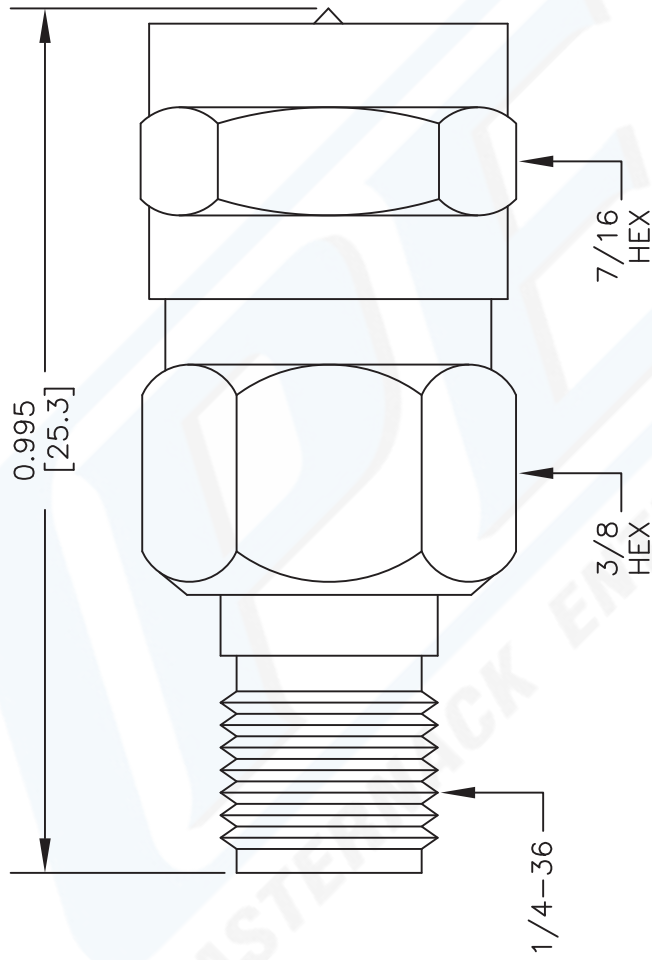
Click the following link (or enter part number in "SEARCH" on website) to obtain additional part information including price, inventory and certifications: [50 Ohm SMA Female to 75 Ohm F Male Adapter PE91001](http://www.pasternack.com/sma-female-f-male-straight-adapter-pe91001-p.aspx)

URL: <http://www.pasternack.com/sma-female-f-male-straight-adapter-pe91001-p.aspx>

The information contained in this document is accurate to the best of our knowledge and representative of the part described herein. It may be necessary to make modifications to the part and/or the documentation of the part, in order to implement improvements. Pasternack reserves the right to make such changes as required. Unless otherwise stated, all specifications are nominal.

PE91001 CAD Drawing

50 Ohm SMA Female to 75 Ohm F Male Adapter



NOTES:
 1. UNLESS OTHERWISE SPECIFIED ALL DIMENSIONS ARE NOMINAL.
 2. ALL SPECIFICATIONS ARE SUBJECT TO CHANGE WITHOUT NOTICE AT ANY TIME.
 3. DIMENSIONS ARE IN INCHES [mm].

DWG TITLE
PE91001

PE PASTERNAK®
 Pasternack Enterprises, Inc.
 P.O. Box 16759 | Irvine | CA | 92623
Phone: (949) 261-1920 | **Fax:** (949) 261-7451
Website: www.pasternack.com | **E-Mail:** sales@pasternack.com

2233

SIZE A

SCALE N/A

CAD FILE 081412

FSCM NO. 53919

REV. A