



## N Male to N Female Right Angle Adapter

### RF Adapters Technical Data Sheet

PE9086

#### Configuration

- N Male Connector 1
- N Female Connector 2
- 50 Ohm
- Right Angle Body Geometry

#### Features

- Max VSWR of 1.3:1 up to 11 GHz
- Type N interface compliant with MIL-STD-348A
- 30μ in. minimum contact plating
- Gold Plated Brass Contact

#### Applications

- General Purpose Test

#### Description

Pasternack's PE9086 type N male to type N female right angle adapter is part of our full line of RF components available for same-day shipping. Our type N to type N adapter has a male to female gender configuration. PE9086 type N male to type N female adapter operates to 11 GHz. The Pasternack RF adapter provides good VSWR of 1.3:1 maximum. This right angle type N to type N adapter allows for easier connections in tight spaces.

RF adapters are often used to enable connections between two connector types that would otherwise not mate. Certain adapter configurations can also be used to protect connectors on expensive equipment where the number of connect/disconnect cycles is high. An RF, microwave or millimeter wave adapter is connected to the equipment, and the commonly changed connection is made with the adapter which can be easily replaced when it wears out after high usage; such adapters are referred to as connector savers. Pasternack also offers bulkhead, panel mount, hermetically sealed, reverse polarity, and isolated ground adapter varieties to serve all of your RF, microwave and millimeter wave needs.

#### Electrical Specifications

Description	Minimum	Typical	Maximum	Units
Frequency Range	DC		11	GHz
VSWR			1.3:1	
Operating Voltage (AC)			1,000	Vrms

#### Mechanical Specifications

##### Size

Length	1.441 in [36.6 mm]
Width	0.787 in [19.99 mm]
Height	1.371 in [34.82 mm]
Weight	0.16 lbs [72.57 g]

Click the following link (or enter part number in "SEARCH" on website) to obtain additional part information including price, inventory and certifications: [N Male to N Female Right Angle Adapter PE9086](#)



N Male to N Female Right Angle Adapter

RF Adapters Technical Data Sheet

PE9086

Description	Connector 1	Connector 2
Type	N Male	N Female
Polarity	Standard	Standard
Interface Specification	MIL-STD-348A	MIL-STD-348A

**Material Specifications**

Description	Connector 1		Connector 2	
	Material	Plating	Material	Plating
Type	N Male		N Female	
Contact	Brass	Gold 30µ in. minimum	Brass	Gold 30µ in. minimum
Insulation	PTFE		PTFE	
Outer Conductor			Brass	Nickel 100µ in. minimum
Body	Brass	Nickel 100µ in. minimum		
Gasket	Silicone			
Coupling Nut	Brass	Nickel 100µ in. minimum		

**Environmental Specifications**

**Temperature**

Operating Range -65 to +165 deg C

**Compliance Certifications** (see [product page](#) for current document)

**Plotted and Other Data**

Notes:

Click the following link (or enter part number in "SEARCH" on website) to obtain additional part information including price, inventory and certifications: [N Male to N Female Right Angle Adapter PE9086](#)





## N Male to N Female Right Angle Adapter

### RF Adapters Technical Data Sheet

PE9086

N Male to N Female Right Angle Adapter from Pasternack Enterprises has same day shipment for domestic and International orders. Our RF, microwave and millimeter wave products maintain a 99.4% availability and are part of the broadest selection in the industry.

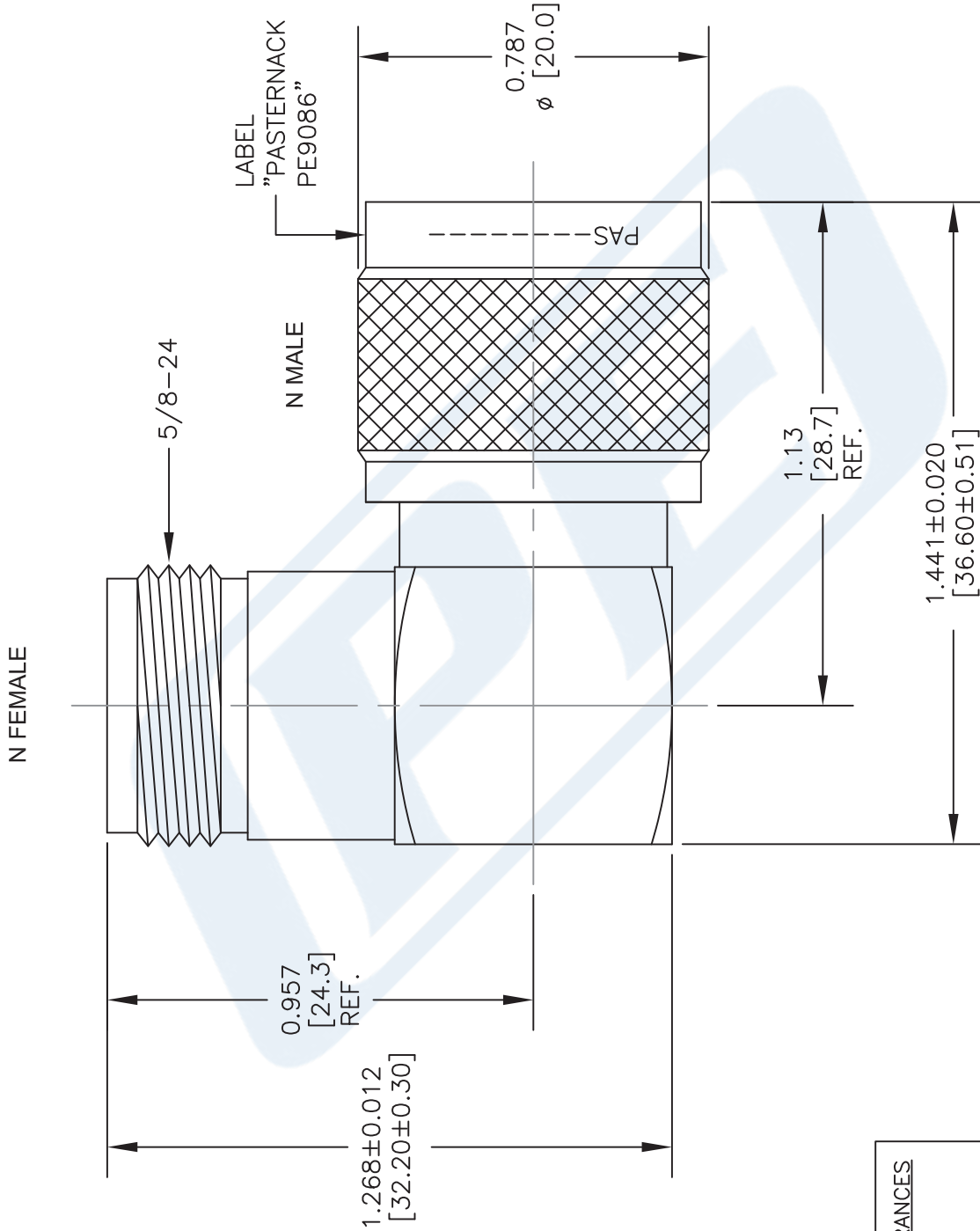
Click the following link (or enter part number in "SEARCH" on website) to obtain additional part information including price, inventory and certifications: [N Male to N Female Right Angle Adapter PE9086](#)

URL: <https://www.pasternack.com/n-male-n-female-right-angle-adapter-pe9086-p.aspx>

The information contained in this document is accurate to the best of our knowledge and representative of the part described herein. It may be necessary to make modifications to the part and/or the documentation of the part, in order to implement improvements. Pasternack reserves the right to make such changes as required. Unless otherwise stated, all specifications are nominal. Pasternack does not make any representation or warranty regarding the suitability of the part described herein for any particular purpose, and Pasternack does not assume any liability arising out of the use of any part or documentation.

# PE9086 CAD Drawing

## N Male to N Female Right Angle Adapter



**STANDARD TOLERANCES**

.X ±0.2  
.XX ±0.1  
.XXX ±0.05

\*STANDARD TOLERANCES APPLY ONLY TO DIMENSIONS IN INCHES



**THE ENGINEER'S RF SOURCE**  
 Pasternack Enterprises, Inc.  
 P.O. Box 16759 | Irvine | CA | 92623  
**Phone:** (949) 261-1920 | **Fax:** (949) 261-7451  
**Website:** www.pasternack.com | **E-Mail:** sales@pasternack.com

DWG TITLE

**PE9086**

NOTES:  
 1. UNLESS OTHERWISE SPECIFIED ALL DIMENSIONS ARE NOMINAL.  
 2. ALL SPECIFICATIONS ARE SUBJECT TO CHANGE WITHOUT NOTICE AT ANY TIME.  
 3. DIMENSIONS ARE IN INCHES [mm].

FSCM NO. 53919

CAD FILE 020816

SCALE N/A

3045