



SMA Male to TNC Female Adapter

RF Adapters Technical Data Sheet

PE9078

Configuration

- SMA Male Connector 1
- TNC Female Connector 2
- 50 Ohms
- Straight Body Geometry

Features

- Max VSWR of 1.3:1 up to 11 GHz
- SMA and TNC Interface compliant with MIL-STD-348A
- Gold Plated Beryllium Copper Contact
- 50 μ-in min. Gold Contact Plating

Applications

- Allows Connection Between Series
- General Purpose Test

Description

Pasternack's PE9078 SMA male to TNC female adapter is part of our full line of RF components available for same-day shipping. The SMA connector mates mechanically with commercially available 3.5mm and 2.92mm (K) connectors. Our SMA to TNC adapter has a male to female gender configuration. PE9078 SMA male to TNC female adapter operates to 11 GHz. The Pasternack RF adapter provides good VSWR of 1.3:1 maximum.

RF adapters are often used to enable connections between two connector types that would otherwise not mate. Certain adapter configurations can also be used to protect connectors on expensive equipment where the number of connect/disconnect cycles is high. An RF, microwave or millimeter wave adapter is connected to the equipment, and the commonly changed connection is made with the adapter which can be easily replaced when it wears out after high usage; such adapters are referred to as connector savers. Pasternack also offers bulkhead, panel mount, hermetically sealed, reverse polarity, and isolated ground adapter varieties to serve all of your RF, microwave and millimeter wave needs.

Electrical Specifications

Description	Minimum	Typical	Maximum	Units
Frequency Range	DC		11	GHz
VSWR			1.3:1	
Operating Voltage (AC)			500	Vrms

Mechanical Specifications

Size

Length	1.03 in [26.16 mm]
Width	0.5 in [12.7 mm]
Height	0.5 in [12.7 mm]
Weight	0.025 lbs [11.34 g]

Click the following link (or enter part number in "SEARCH" on website) to obtain additional part information including price, inventory and certifications: [SMA Male to TNC Female Adapter PE9078](#)



SMA Male to TNC Female Adapter

RF Adapters Technical Data Sheet

PE9078

Description	Connector 1	Connector 2
Type	SMA Male	TNC Female
Polarity	Standard	Standard
Interface Specification	MIL-STD-348A	MIL-STD-348A
Hex Size	5/16 in.	
Mating Torque	3 to 5 in-lbs [0.34 to 0.57 Nm]	

Material Specifications

Description	Connector 1		Connector 2	
	Material	Plating	Material	Plating
Type	SMA Male		TNC Female	
Contact	Beryllium Copper	Gold 50μ in. minimum	Beryllium Copper	Gold 50μ in. minimum
Insulation	PTFE		PTFE	
Outer Conductor	Passivated Stainless Steel			
Body	Passivated Stainless Steel			
Gasket	Silicone			
Coupling Nut	Brass	Nickel 100μ in. minimum		

Environmental Specifications

Temperature

Operating Range -65 to +165 deg C

Compliance Certifications (see [product page](#) for current document)

Plotted and Other Data

Notes:

Click the following link (or enter part number in "SEARCH" on website) to obtain additional part information including price, inventory and certifications: [SMA Male to TNC Female Adapter PE9078](#)



SMA Male to TNC Female Adapter

RF Adapters Technical Data Sheet

PE9078

SMA Male to TNC Female Adapter from Pasternack Enterprises has same day shipment for domestic and International orders. Our RF, microwave and millimeter wave products maintain a 99% availability and are part of the broadest selection in the industry.

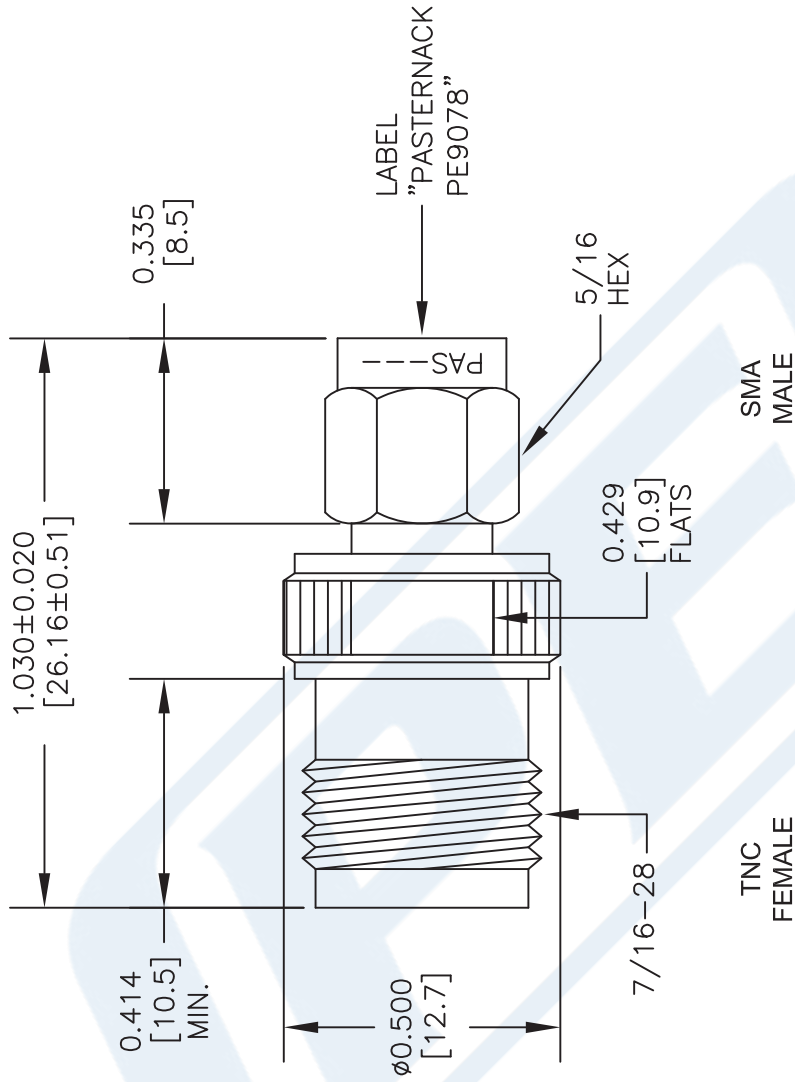
Click the following link (or enter part number in "SEARCH" on website) to obtain additional part information including price, inventory and certifications: [SMA Male to TNC Female Adapter PE9078](#)

URL: <https://www.pasternack.com/sma-male-tnc-female-straight-adapter-pe9078-p.aspx>

The information contained in this document is accurate to the best of our knowledge and representative of the part described herein. It may be necessary to make modifications to the part and/or the documentation of the part, in order to implement improvements. Pasternack reserves the right to make such changes as required. Unless otherwise stated, all specifications are nominal. Pasternack does not make any representation or warranty regarding the suitability of the part described herein for any particular purpose, and Pasternack does not assume any liability arising out of the use of any part or documentation.

PE9078 CAD Drawing

SMA Male to TNC Female Adapter



STANDARD TOLERANCES

.X ±0.2
.XX ±0.1
.XXX ±0.05

*STANDARD TOLERANCES APPLY ONLY TO DIMENSIONS IN INCHES



Pasternack Enterprises, Inc.
P.O. Box 16759 | Irvine | CA | 92623
Phone: (949) 261-1920 | Fax: (949) 261-7451
Website: www.pasternack.com | E-Mail: sales@pasternack.com

DWG TITLE

PE9078

FSCM NO. 53919

NOTES:
1. UNLESS OTHERWISE SPECIFIED ALL DIMENSIONS ARE NOMINAL.
2. ALL SPECIFICATIONS ARE SUBJECT TO CHANGE WITHOUT NOTICE AT ANY TIME.
3. DIMENSIONS ARE IN INCHES [mm].

CAD FILE 071516

SCALE N/A

SIZE A

2233