



## N Male to Mini UHF Female Adapter

### RF Adapters Technical Data Sheet

PE9064

#### Configuration

- N Male Connector 1
- Mini UHF Female Connector 2
- 50 Ohms
- Straight Body Geometry

#### Features

- Gold Plated Brass Contact

#### Applications

- Allows Connection Between Series
- General Purpose Test

#### Description

Pasternack's PE9064 type N male to Mini UHF female adapter is part of our full line of RF components available for same-day shipping. Our type N to Mini UHF adapter has a male to female gender configuration. PE9064 type N male to Mini UHF female adapter operates to 2.5 GHz.

RF adapters are often used to enable connections between two connector types that would otherwise not mate. Certain adapter configurations can also be used to protect connectors on expensive equipment where the number of connect/disconnect cycles is high. An RF, microwave or millimeter wave adapter is connected to the equipment, and the commonly changed connection is made with the adapter which can be easily replaced when it wears out after high usage; such adapters are referred to as connector savers. Pasternack also offers bulkhead, panel mount, hermetically sealed, reverse polarity, and isolated ground adapter varieties to serve all of your RF, microwave and millimeter wave needs.

#### Electrical Specifications

Description	Minimum	Typical	Maximum	Units
Frequency Range	DC		2.5	GHz
Operating Voltage (AC)			335	Vrms

#### Mechanical Specifications

##### Size

Length	1.29 in [32.77 mm]
Width	0.827 in [21.01 mm]
Weight	0.095 lbs [43.09 g]

Description	Connector 1	Connector 2
Type	N Male	Mini UHF Female
Polarity	Standard	Standard
Mating Cycles	500	500

Click the following link (or enter part number in "SEARCH" on website) to obtain additional part information including price, inventory and certifications: [N Male to Mini UHF Female Adapter PE9064](#)



## N Male to Mini UHF Female Adapter

### RF Adapters Technical Data Sheet

PE9064

#### Material Specifications

Description	Connector 1		Connector 2	
	Material	Plating	Material	Plating
Type	N Male		Mini UHF Female	
Contact	Brass	Gold	Brass	Gold
Insulation	PTFE		PTFE	
Outer Conductor			Brass	Nickel 100µ in. minimum
Body	Brass	Nickel 100µ in. minimum		
Gasket	Silicone			
Coupling Nut	Brass	Nickel 100µ in. minimum		

#### Environmental Specifications

##### Temperature

Operating Range

-55 to +85 deg C

**Compliance Certifications** (see [product page](#) for current document)

#### Plotted and Other Data

Notes:

N Male to Mini UHF Female Adapter from Pasternack Enterprises has same day shipment for domestic and International orders. Our RF, microwave and millimeter wave products maintain a 99% availability and are part of the broadest selection in the industry.

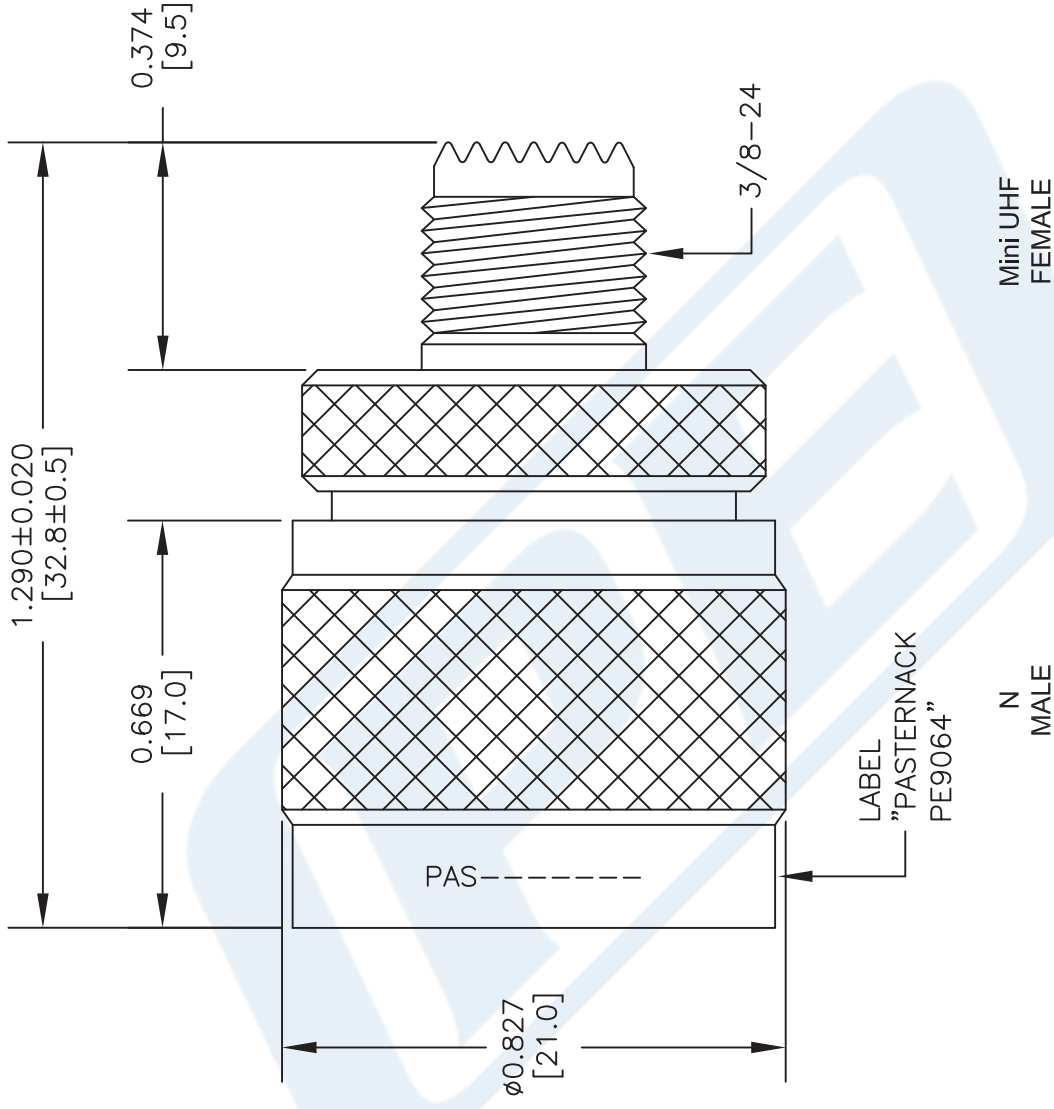
Click the following link (or enter part number in "SEARCH" on website) to obtain additional part information including price, inventory and certifications: [N Male to Mini UHF Female Adapter PE9064](#)

URL: <https://www.pasternack.com/n-male-mini-uhf-female-straight-adapter-pe9064-p.aspx>

The information contained in this document is accurate to the best of our knowledge and representative of the part described herein. It may be necessary to make modifications to the part and/or the documentation of the part, in order to implement improvements. Pasternack reserves the right to make such changes as required. Unless otherwise stated, all specifications are nominal. Pasternack does not make any representation or warranty regarding the suitability of the part described herein for any particular purpose, and Pasternack does not assume any liability arising out of the use of any part or documentation.

# PE9064 CAD Drawing

## N Male to Mini UHF Female Adapter



STANDARD TOLERANCES	
.X	±0.2
.XX	±0.1
.XXX	±0.05

\*STANDARD TOLERANCES APPLY ONLY TO DIMENSIONS IN INCHES

<p style="font-size: small;">NOTES:</p> <ol style="list-style-type: none"> <li>1. UNLESS OTHERWISE SPECIFIED ALL DIMENSIONS ARE NOMINAL.</li> <li>2. ALL SPECIFICATIONS ARE SUBJECT TO CHANGE WITHOUT NOTICE AT ANY TIME.</li> <li>3. DIMENSIONS ARE IN INCHES [mm].</li> </ol>	<p style="font-size: small;">DWG TITLE</p> <h2 style="margin: 0;">PE9064</h2>	<p style="font-size: small;">SCALE N/A</p>	<p style="font-size: small;">SIZE A</p>	<p style="font-size: small;">2233</p>
<p style="font-size: small;">FSCM NO. 53919</p>		<p style="font-size: small;">CAD FILE 071516</p>	<p style="font-size: small;">N/A</p>	
<div style="display: flex; justify-content: space-between; align-items: center;"> <div style="text-align: center;"> <p style="font-size: x-small; margin: 0;"><b>PASTERNAK</b> THE ENGINEER'S RF SOURCE</p> <p style="font-size: x-small; margin: 0;">Pasternack Enterprises, Inc. P.O. Box 16759   Irvine   CA   92623</p> <p style="font-size: x-small; margin: 0;">Phone: (949) 261-1920   Fax: (949) 261-7451 Website: www.pasternack.com   E-Mail: sales@pasternack.com</p> </div> </div>				