



3 Section Tunable Band Reject Filter With N Female Connectors Operating From 500 MHz to 1,000 MHz With a 1% Bandwidth

TECHNICAL DATA SHEET

PE8737

3 Section Tunable Band Reject Filter With N Female Connectors Operating From 500 MHz to 1,000 MHz With a 1% Bandwidth

Pasternack's Tunable Band Pass Filters and Band Reject Filters (also referred to as Band-Stop filters or Band-Rejection filters) are available in tunable frequency ranges from 100 MHz to 3 GHz. Tunable RF filter products are bench top units that are ideal for reducing harmonics and noise levels with lab-grade precision. The average power rating of these tunable filter components is 50 Watts and have a dial accuracy of 1%. Both the 3 section and 5 section bandpass and band-reject filters have a nominal 5% bandwidth that is tunable across the filter's frequency range.

- Available in both Band pass and Band reject
- 100 MHz to 3 GHz Frequency Ranges
- Typical VSWR is 1.5:1
- N-Type Connectors

Configuration

| | |
|-------------|----------------|
| Design | Tunable Filter |
| Connector 1 | N Female |
| Connector 2 | N Female |

Electrical Specifications

| | |
|------------------------------|--------------|
| Useable Frequency Range, MHz | 500 to 1,000 |
| Bandwidth, MHz | 6 to 16 |
| Nominal Bandwidth, % | 1 |
| 40 dB Minimum Bandwidth, KHz | 400 |
| Notch Depth, dB | 50 |
| Tuning Dial Accuracy, % | 0.5 |
| Maximum VSWR | 1.5:1 |
| Impedance, Ohms | 50 |
| Maximum Input Power, Watts | 50 |

Mechanical Specifications

Temperature

| | |
|------------------------|-------------|
| Operating Range, deg C | -55 to +85 |
| Storage Range, deg C | -55 to +125 |

Size

| | |
|-----------------|--------------|
| Length, in [mm] | 6.4 [162.56] |
| Width, in [mm] | 2.75 [69.85] |
| Height, in [mm] | 5.3 [134.62] |

Connector 1

| | |
|------|----------|
| Type | N Female |
|------|----------|

Click the following link (or enter part number in "SEARCH" on website) to obtain additional part information including price, inventory and certifications: [3 Section Tunable Band Reject Filter With N Female Connectors Operating From 500 MHz to 1,000 MHz With a 1% Bandwidth PE8737](#)

The information contained in this document is accurate to the best of our knowledge and representative of the part described herein. It may be necessary to make modifications to the part and/or the documentation of the part, in order to implement improvements. Pasternack reserves the right to make such changes as required. Unless otherwise stated, all specifications are nominal.





3 Section Tunable Band Reject Filter With N Female Connectors
Operating From 500 MHz to 1,000 MHz With a 1% Bandwidth

TECHNICAL DATA SHEET

PE8737

Connector 2
Type

N Female

Compliance Certifications (visit www.Pasternack.com for current document)
RoHS Compliant

Yes

Plotted and Other Data
Notes:

Values at 25 °C, sea level

3 Section Tunable Band Reject Filter With N Female Connectors Operating From 500 MHz to 1,000 MHz With a 1% Bandwidth from Pasternack Enterprises has same day shipment for domestic and International orders. Our RF, microwave and fiber optic products maintain a 99% availability and are part of the broadest selection in the industry.

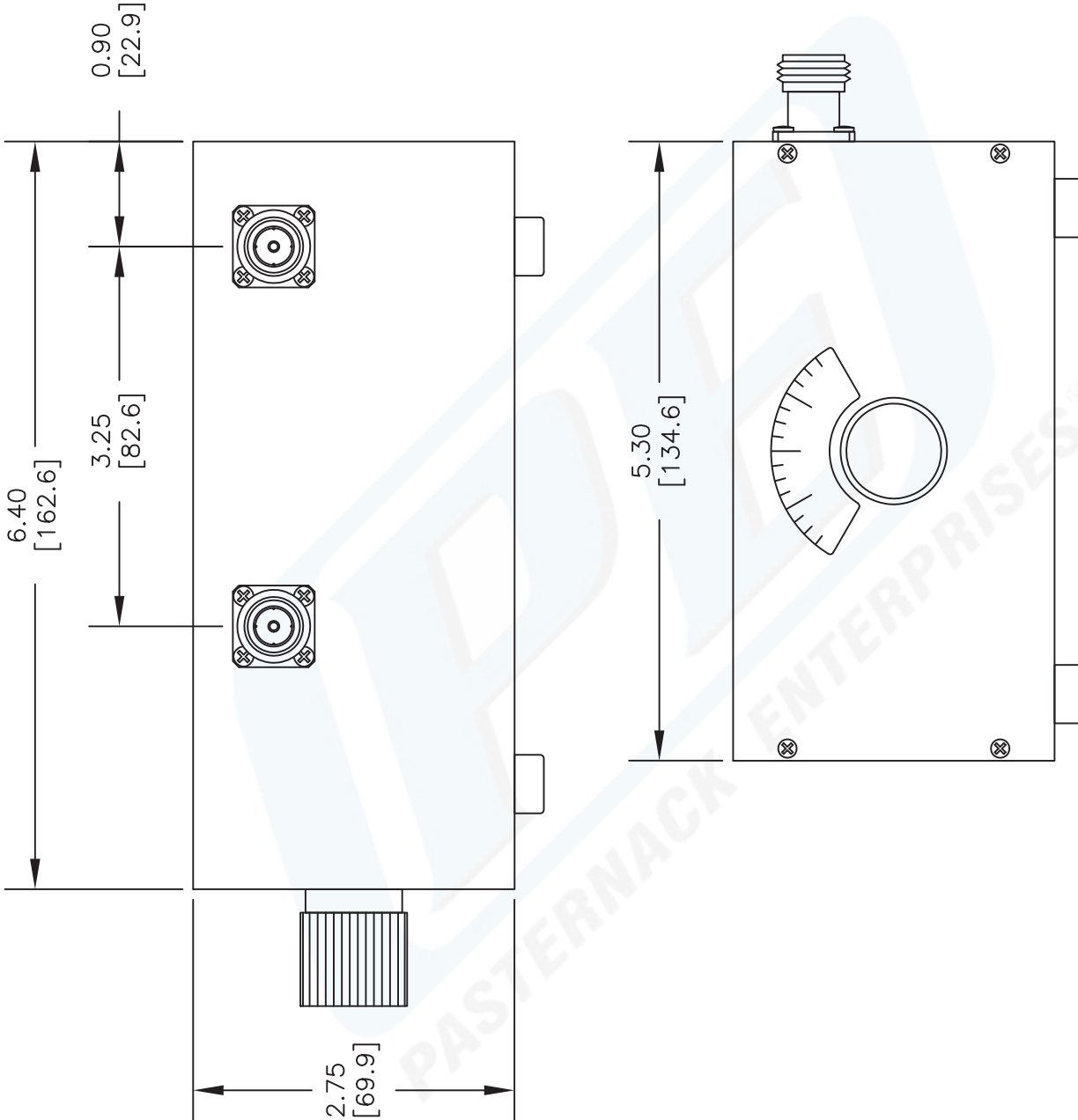
Click the following link (or enter part number in "SEARCH" on website) to obtain additional part information including price, inventory and certifications: [3 Section Tunable Band Reject Filter With N Female Connectors Operating From 500 MHz to 1,000 MHz With a 1% Bandwidth PE8737](http://www.pasternack.com/3-section-tunable-band-reject-filter-500-1000-mhz-pe8737-p.aspx)

URL: <http://www.pasternack.com/3-section-tunable-band-reject-filter-500-1000-mhz-pe8737-p.aspx>

The information contained in this document is accurate to the best of our knowledge and representative of the part described herein. It may be necessary to make modifications to the part and/or the documentation of the part, in order to implement improvements. Pasternack reserves the right to make such changes as required. Unless otherwise stated, all specifications are nominal.

PE8737 CAD Drawing

3 Section Tunable Band Reject Filter With N Female Connectors
Operating From 500 MHz to 1,000 MHz With a 1% Bandwidth



NOTES:
1. UNLESS OTHERWISE SPECIFIED ALL DIMENSIONS ARE NOMINAL.
2. ALL SPECIFICATIONS ARE SUBJECT TO CHANGE WITHOUT NOTICE AT ANY TIME.
3. DIMENSIONS ARE IN INCHES [mm].

DWG TITLE

PE8737

FSCM NO. 53919

CAD FILE 091013

SCALE N/A

SIZE A

2233

PE PASTERNAK®
Pasternack Enterprises, Inc.
P.O. Box 16759 | Irvine | CA | 92623
Phone: (949) 261-1920 | Fax: (949) 261-7451
Website: www.pasternack.com | E-Mail: sales@pasternack.com