



High Power Isolator With 20 dB Isolation From 330 MHz to 403 MHz, 150 Watts And N Female

## Isolators Technical Data Sheet

PE8324

### Features

- High Power
- 330 to 403 MHz Frequency Range
- Max Forward Power 150 Watts CW
- Max Reverse Power 70 Watts CW
- Insertion Loss < 0.5 dB
- VSWR < 1.25:1
- Isolation > 20 dB
- N Female Connectors

### Applications

- Radar Systems
- Military
- Wireless Radio Systems
- Telecom Infrastructure
- Communication Systems
- R&D Labs
- Microwave Radio Systems

### Description

The PE8324 is a high power single junction isolator offering a forward power rating of 150 Watts CW and reverse power rating of 70 Watts CW over an operational frequency band of 330 to 403 MHz. This coaxial isolator uses N female connectors on all ports and has a minimum of 20 dB isolation.

Pasternack offers a wide variety of isolators to fit your needs. These are two-port devices that transmit microwave or radio frequency power in one direction only and block the signal in the opposite direction. They can be thought of as a diode for RF energy. Isolators are used to isolate equipment from the effects of conditions outside of the equipment. For instance they are used to prevent a microwave source being detuned by a mismatched load. Pasternack's isolators feature excellent insertion loss, high isolation and reliability.

### Electrical Specifications

Description	Minimum	Typical	Maximum	Units
Frequency Range	330		403	MHz
Impedance		50		Ohms
Insertion Loss			0.5	dB
Isolation	20			dB
VSWR			1.25:1	
Forward Power, CW			150	Watts
Reverse Power, CW			70	Watts

Electrical Specification Notes:  
 Values at 25°C, sea level.

### Mechanical Specifications

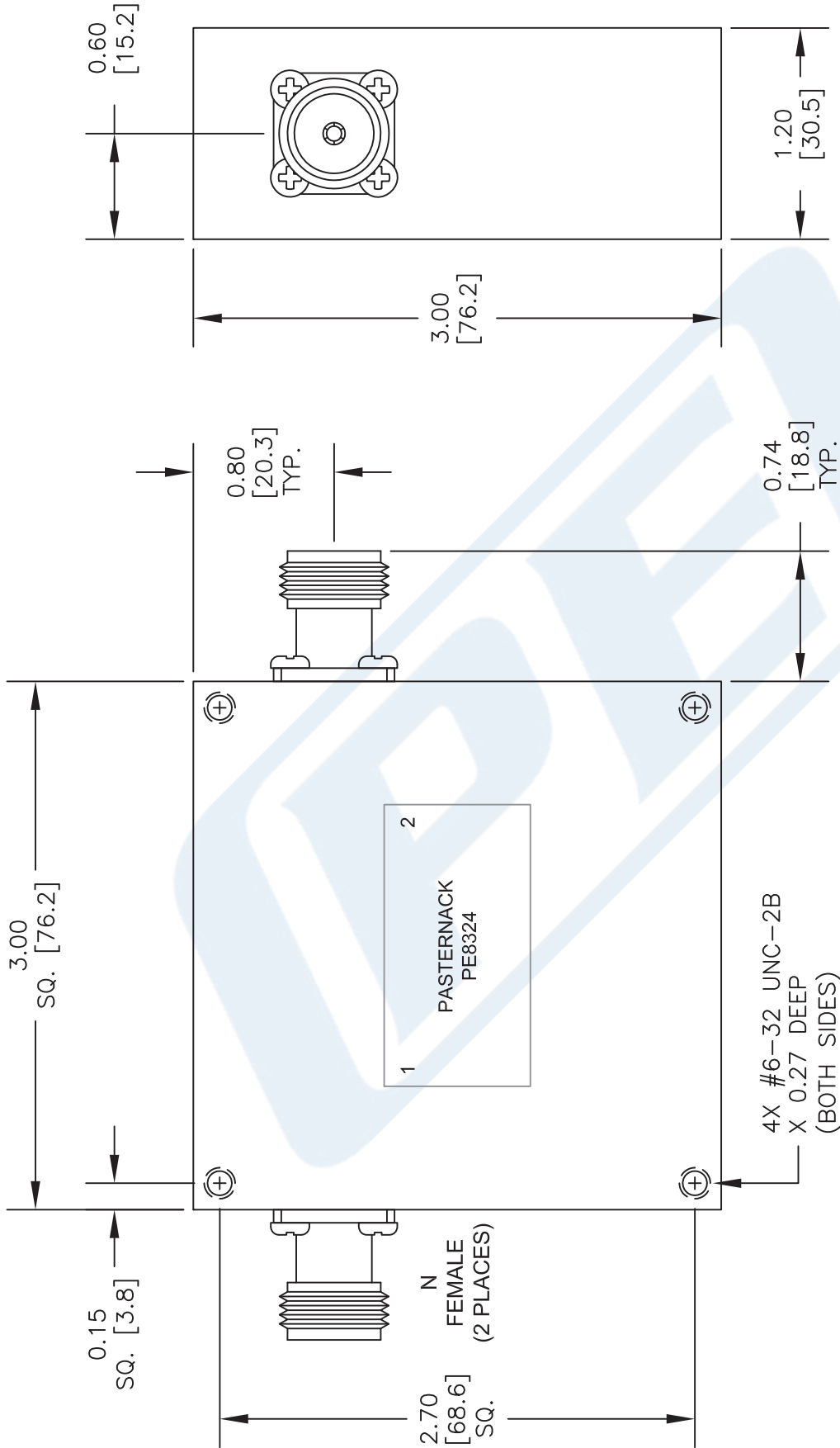
<b>Size</b>	
Length	3 in [76.2 mm]
Width	3 in [76.2 mm]
Height	1.2 in [30.48 mm]
Weight	1.073 lbs [486.7 g]

Click the following link (or enter part number in "SEARCH" on website) to obtain additional part information including price, inventory and certifications: [High Power Isolator With 20 dB Isolation From 330 MHz to 403 MHz, 150 Watts And N Female PE8324](#)



# PE8324 CAD Drawing

High Power Isolator With 20 dB Isolation From 330 MHz  
to 403 MHz, 150 Watts And N Female



**STANDARD TOLERANCES**  
 .X ±0.2  
 .XX ±0.1  
 .XXX ±0.05

\*STANDARD TOLERANCES APPLY ONLY TO DIMENSIONS IN INCHES

**NOTES:**  
 1. UNLESS OTHERWISE SPECIFIED ALL DIMENSIONS ARE NOMINAL.  
 2. ALL SPECIFICATIONS ARE SUBJECT TO CHANGE WITHOUT NOTICE AT ANY TIME.  
 3. DIMENSIONS ARE IN INCHES [mm].

DWG TITLE  
**PE8324**

**PE PASTERNAK**  
 THE ENGINEER'S RF SOURCE  
 Pasternack Enterprises, Inc.  
 P.O. Box 16759 | Irvine | CA | 92623  
 Phone: (949) 261-1920 | Fax: (949) 261-7451  
 Website: www.pasternack.com | E-Mail: sales@pasternack.com

FSCM NO. 53919

CAD FILE 072916 SCALE N/A SIZE A 2233