



Detector, SMA, Video Out, 200 MHz to 800 MHz

## Detectors Technical Data Sheet

PE80T4001

The PE80T4001 is a Phase Detector that operate with an input frequency range from 200 MHz to 800 MHz. This Detector is desgined with an integrated Loop Filter for ease of use in Phase Locked Loop Application. The Rugged Package Design utilizes Field Replaceable SMA Female connectors and meets MIL-STD-202F for Altitude, Shock, Vibration, and Humidity

### Features

- Frequency Range: 200 to 800MHz
- Input Power: -7 to +10 dBm
- Integrated Loop Filter
- DC Power: 12V
- Operating Temperature: -40°C to 85°C
- Field Replaceable SMA Connetors
- Designed to meet MIL-STD-202F Test Conditions

### Applications

- Electronic Warfare
- Test & Measurement
- Military & Space
- Phase Locked Loop System
- Military Communications Systems

### Electrical Specifications

Description	Minimum	Typical	Maximum	Units
Frequency Range	200 MHz		800 MHz	
VSWR		1.2:1	2:1	
Input Power	-7		+10	dBm
Phase Noise				
@ 1KHz Offset, Fo = 2400 MHz, Ref = 200 MHz		-92		dBc/Hz
@ 1KHz Offset, Fo = 3200 MHz, Ref = 800 MHz		-92		dBc/Hz
Loop Filter Bandwidth	5	10		KHz
Tuning Voltage Output Range	0.1		4.9	V
DC Power Supply @ +15 Volts			115	mA
Operating Temperature Range	-40		+85	deg C

### Mechanical Specifications

### Environmental Specifications

#### Temperature

Operating Range -40 to +85 deg C  
Storage Range -55 to +125 deg C

Humidity

MIL-STD-202F, Method 103B, Condition B

Shock

MIL-STD-202F, Method 213B, Condition B

Vibration

MIL-STD-202F, Method 204D, Condition B

Altitude

MIL-STD-202F, Method 105C, Condition B

Click the following link (or enter part number in "SEARCH" on website) to obtain additional part information including price, inventory and certifications: [Detector, SMA, Video Out, 200 MHz to 800 MHz PE80T4001](#)



Detector, SMA, Video Out, 200 MHz to 800 MHz

## Detectors Technical Data Sheet

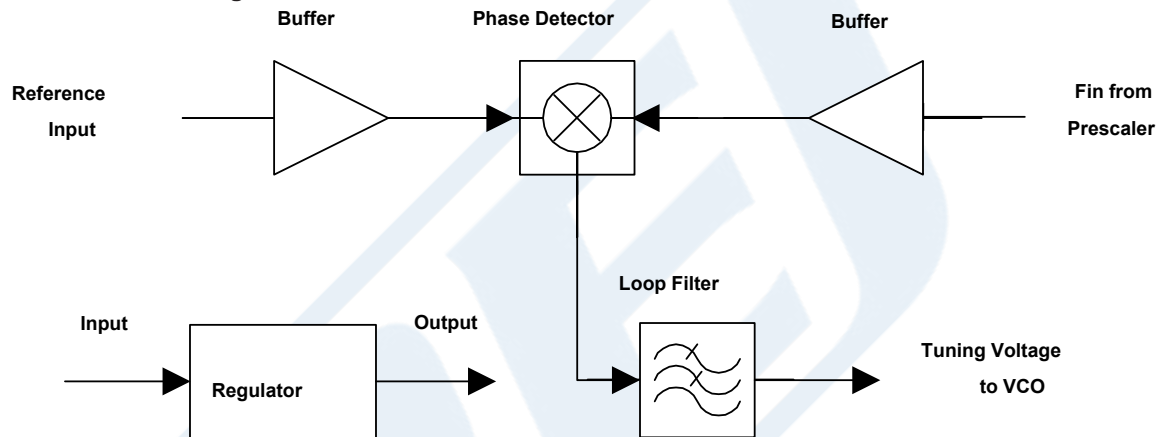
PE80T4001

**Compliance Certifications** (see [product page](#) for current document)

### Plotted and Other Data

Notes:

#### Functional Block Diagram



Detector, SMA, Video Out, 200 MHz to 800 MHz from Pasternack Enterprises has same day shipment for domestic and International orders. Our RF, microwave and millimeter wave products maintain a 99.4% availability and are part of the broadest selection in the industry.

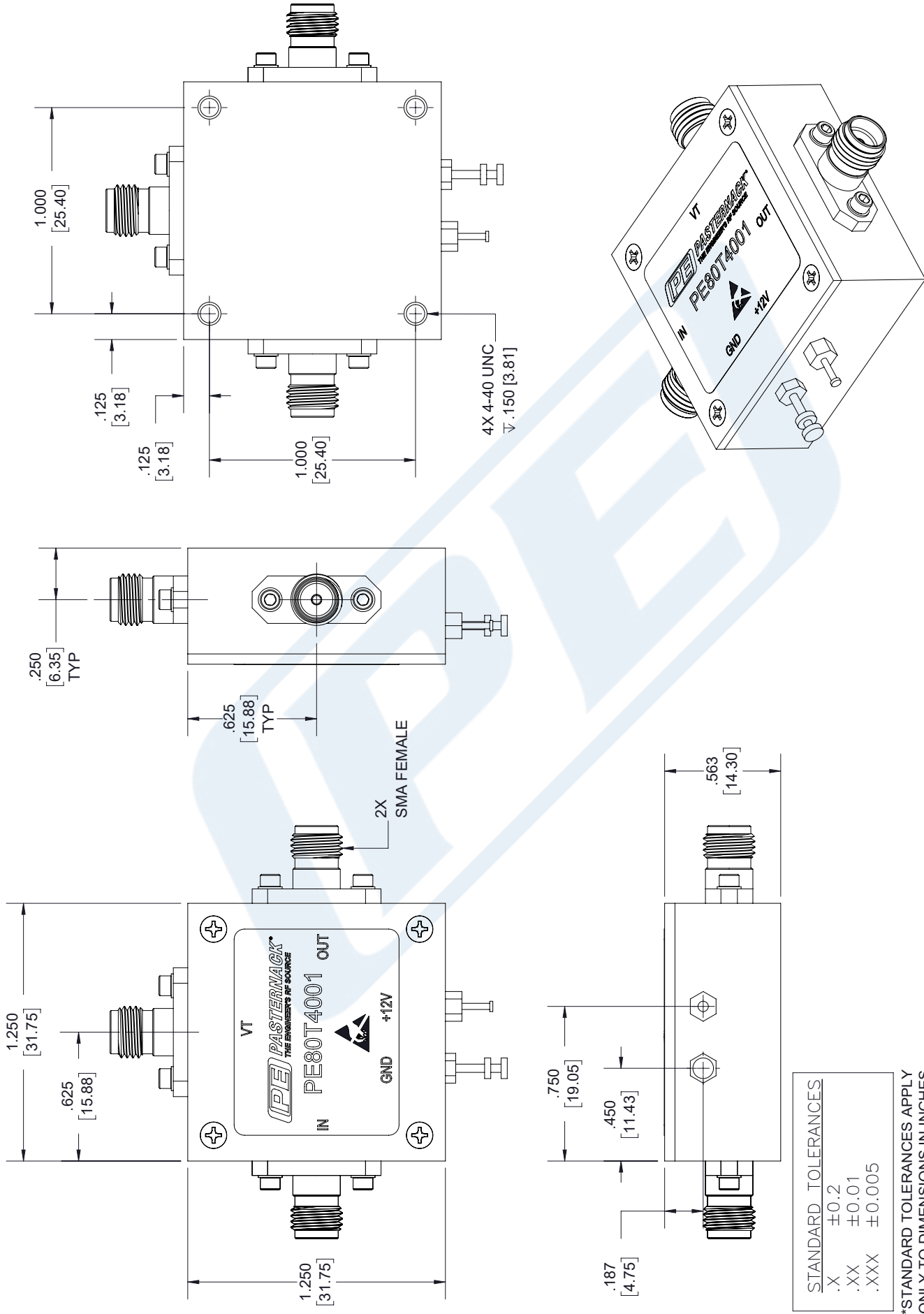
Click the following link (or enter part number in "SEARCH" on website) to obtain additional part information including price, inventory and certifications: [Detector, SMA, Video Out, 200 MHz to 800 MHz PE80T4001](#)

URL: <https://www.pasternack.com/detector-sma-200-800-mhz-pe80t4001-p.aspx>

The information contained in this document is accurate to the best of our knowledge and representative of the part described herein. It may be necessary to make modifications to the part and/or the documentation of the part, in order to implement improvements. Pasternack reserves the right to make such changes as required. Unless otherwise stated, all specifications are nominal. Pasternack does not make any representation or warranty regarding the suitability of the part described herein for any particular purpose, and Pasternack does not assume any liability arising out of the use of any part or documentation.

# PE80T4001 CAD Drawing

Detector, SMA, Video Out, 200 MHz to 800 MHz



STANDARD TOLERANCES	
.X	$\pm 0.2$
.XX	$\pm 0.01$
.XXX	$\pm 0.005$

\*STANDARD TOLERANCES APPLY ONLY TO DIMENSIONS IN INCHES

<p><b>PASTERNAK</b> THE ENGINEER'S RF SOURCE Pasternack Enterprises, Inc. P.O. Box 16759   Irvine   CA   92623 Phone: (949) 261-1920   Fax: (949) 261-7451 Website: www.pasternack.com   E-Mail: sales@pasternack.com</p>	DWG TITLE <b>PE80T4001</b>	NOTES: 1. UNLESS OTHERWISE SPECIFIED ALL DIMENSIONS ARE NOMINAL. 2. ALL SPECIFICATIONS ARE SUBJECT TO CHANGE WITHOUT NOTICE AT ANY TIME. 3. DIMENSIONS ARE IN INCHES [mm].
	CAGE CODE <b>53919</b>	
	CAD FILE 04/26/18	SCALE N/A
	SIZE A	7361