



Schottky Zero Bias Detector, SMA, Positive Video Out, +20 dBm max Pin, 10 MHz to 12.4 GHz

## Detectors Technical Data Sheet

PE8012P

### Electrical Specifications

Description	Minimum	Typical	Maximum	Units
Frequency Range	10		12.4	GHz
VSWR		1.4:1	1.6:1	
Flatness		±0.25	±0.3	dB
Input Power			+20	dBm
Dynamic Range	-30		+20	dBm
Operating Temperature Range	0		+90	deg C

### Mechanical Specifications

#### Size

Length	1.21 in [30.73 mm]
Width	0.31 in [7.87 mm]
Weight	0.023 lbs [10.43 g]
Connector 1	SMA Male
Connector 2	SMA Female

### Environmental Specifications

#### Temperature

Operating Range	0 to +90 deg C
Storage Range	-65 to +150 deg C

**Compliance Certifications** (see [product page](#) for current document)

### Plotted and Other Data

Notes:

Click the following link (or enter part number in "SEARCH" on website) to obtain additional part information including price, inventory and certifications: [Schottky Zero Bias Detector, SMA, Positive Video Out, +20 dBm max Pin, 10 MHz to 12.4 GHz PE8012P](#)



Schottky Zero Bias Detector, SMA, Positive Video Out, +20 dBm max Pin, 10 MHz to 12.4 GHz

## Detectors Technical Data Sheet

PE8012P

Schottky Zero Bias Detector, SMA, Positive Video Out, +20 dBm max Pin, 10 MHz to 12.4 GHz from Pasternack Enterprises has same day shipment for domestic and International orders. Our RF, microwave and millimeter wave products maintain a 99.4% availability and are part of the broadest selection in the industry.

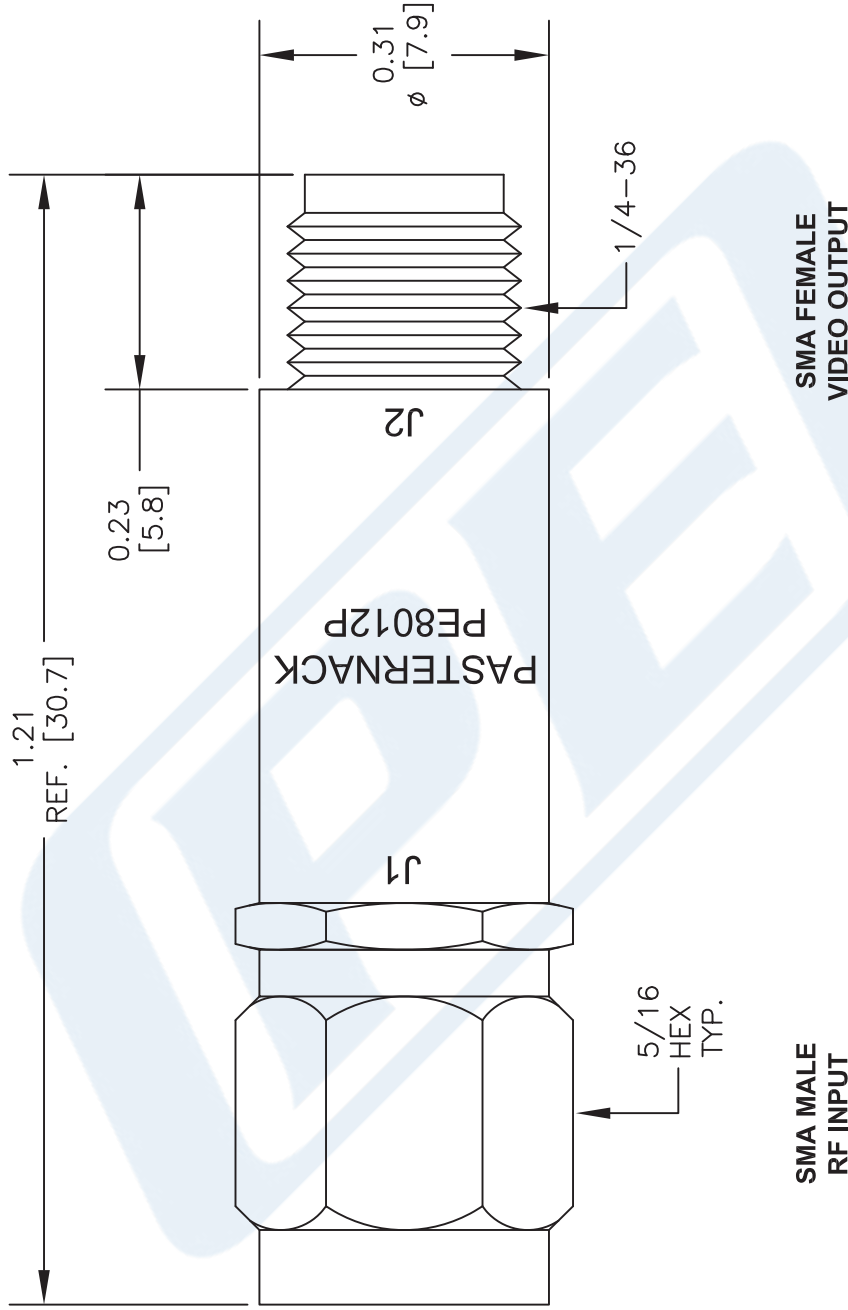
Click the following link (or enter part number in "SEARCH" on website) to obtain additional part information including price, inventory and certifications: [Schottky Zero Bias Detector, SMA, Positive Video Out, +20 dBm max Pin, 10 MHz to 12.4 GHz PE8012P](https://www.pasternack.com/50-ohm-sma-zero-biased-detector-positive-10-mhz-12400-mhz-pe8012p-p.aspx)

URL: <https://www.pasternack.com/50-ohm-sma-zero-biased-detector-positive-10-mhz-12400-mhz-pe8012p-p.aspx>

The information contained in this document is accurate to the best of our knowledge and representative of the part described herein. It may be necessary to make modifications to the part and/or the documentation of the part, in order to implement improvements. Pasternack reserves the right to make such changes as required. Unless otherwise stated, all specifications are nominal. Pasternack does not make any representation or warranty regarding the suitability of the part described herein for any particular purpose, and Pasternack does not assume any liability arising out of the use of any part or documentation.

# PE8012P CAD Drawing

Schottky Zero Bias Detector, SMA, Positive Video Out,  
+20 dBm max Pin, 10 MHz to 12.4 GHz



DWG TITLE

**PE8012P**

NOTES:  
1. UNLESS OTHERWISE SPECIFIED ALL DIMENSIONS ARE NOMINAL.  
2. ALL SPECIFICATIONS ARE SUBJECT TO CHANGE WITHOUT NOTICE AT ANY TIME.  
3. DIMENSIONS ARE IN INCHES [mm].

FSCM NO. 53919

CAD FILE 100913

SCALE N/A

SIZE A

2233



**PASTERNAK®**  
Pasternack Enterprises, Inc.  
P.O. Box 16759 | Irvine | CA | 92623  
Phone: (949) 261-1920 | Fax: (949) 261-7451  
Website: www.pasternack.com | E-Mail: sales@pasternack.com