



Quarter Wave Stub RF Surge Protector, Type N F/F, Low PIM, 800 - 2,250MHz

RF Surge Protectors Technical Data Sheet

PE73SP1065

Features

- Broadband Performance from 800 to 2,250 MHz
- DC Block Topology
- Bi-directional, Repetitive Strike Protection
- Low PIM

Applications

- Distributed Antenna Systems (DAS)
- Emergency Response Systems
- Public Safety Systems
- Cellular

Description

RF surge protector (also known as lightning arrestor) PE73SP1065 from Pasternack Enterprise utilizing a quarter wave stub design to protect critical hardware while maintaining the RF performance. This RF surge protector component is manufactured in a coaxial in-line design with wide operating frequency range. Pasternack Enterprise's RF surge protector products are available in stock with same day shipping.

Electrical Specifications

Surge Protector Type		Quarter Wave Stub		
Description	Minimum	Typical	Maximum	Units
Frequency Range	0.8		2.25	GHz
Impedance		50		Ohms
VSWR			1.2:1	
Insertion Loss			0.2	dB
Passive Intermodulation			-150	dBc

Mechanical Specifications

Size	
Length	3.1 in [78.74 mm]
Width/Diameter	3.1 in [78.74 mm]
Height	1 in [25.4 mm]
Weight	0.6 lbs [272.16 g]
Housing Material and Plating	Brass, Tri-Metal
Configuration	
Input Connector	N Female
Output Connector	N Female

Environmental Specifications

Temperature	
Operating Range	-40 to +85 deg C

Click the following link (or enter part number in "SEARCH" on website) to obtain additional part information including price, inventory and certifications: [Quarter Wave Stub RF Surge Protector, Type N F/F, Low PIM, 800 - 2,250MHz PE73SP1065](#)



Quarter Wave Stub RF Surge Protector, Type
N F/F, Low PIM, 800 - 2,250MHz

RF Surge Protectors Technical Data Sheet

PE73SP1065

Compliance Certifications (see [product page](#) for current document)

Plotted and Other Data

Notes:

Quarter Wave Stub RF Surge Protector, Type N F/F, Low PIM, 800 - 2,250MHz from Pasternack Enterprises has same day shipment for domestic and International orders. Our RF, microwave and millimeter wave products maintain a 99.4% availability and are part of the broadest selection in the industry.

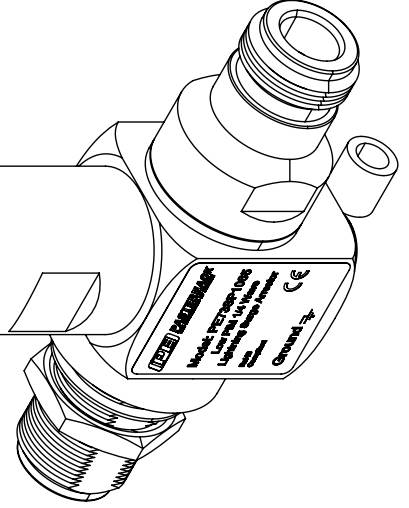
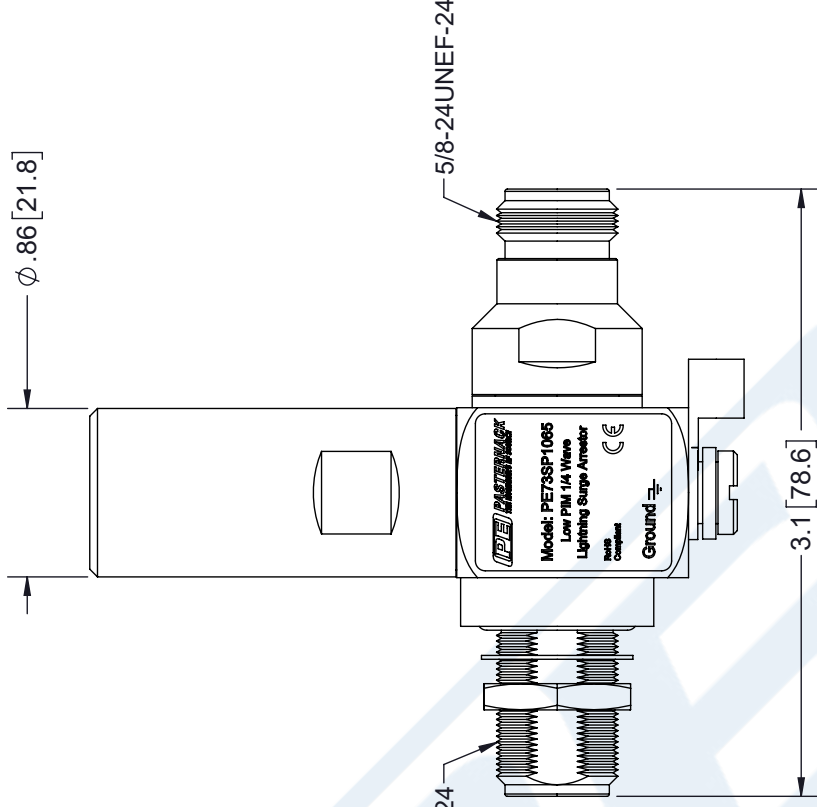
Click the following link (or enter part number in "SEARCH" on website) to obtain additional part information including price, inventory and certifications: [Quarter Wave Stub RF Surge Protector, Type N F/F, Low PIM, 800 - 2,250MHz PE73SP1065](#)

URL: <https://www.pasternack.com/type-n-surge-protector-2.25ghz-quarter-wave-stub-pe73sp1065-p.aspx>

PE73SP1065 CAD Drawing

Quarter Wave Stub RF Surge Protector, Type N F/F, Low PIM, 800 - 2,250MHz

REV.	DESCRIPTION	ECN	DATE	APPROVED
A	PRODUCTION RELEASE		4/28/20	DWR



UNLESS OTHERWISE SPECIFIED LEADING DIMENSIONS ARE INCHES DIMENSIONS IN [] ARE MILLIMETERS

TOLERANCES:
 .X = ±.2 [5.08] FRACTIONS ± 1/32
 .XX = ±.02 [.51] ANGLES ± 1°
 .XXX = ±.005 [.13]

CABLE LENGTH (L), TOLERANCES:
 L ≤ 12 [305] = +.5 [13] / -0
 12 [305] < L ≤ 60 [1524] = +1 [25] / -0
 60 [1524] < L ≤ 120 [3048] = +2 [51] / -0
 120 [3048] < L ≤ 300 [7620] = +3 [76] / -0
 300 [7620] < L = +2.5% / -0

ALL DIMENSIONS SHOWN ARE FOR REFERENCE ONLY.

THIRD-ANGLE PROJECTION

THE INFORMATION AND DESIGN IN THIS DOCUMENT IS THE PROPERTY OF PASTERNAK CORPORATION ALL RIGHTS RESERVED.

SHEET 1 OF 1
SCALE 1:1

PE PASTERNAK
an INFINITI brand

Pasternack Enterprises, Inc.
P.O. Box 16759, Irvine, CA 92623.
Phone: 1.949.261.1920 | 1.866.727.8376
Fax: 1.949.261.7451
Website: www.pasternack.com
E-mail: sales@pasternack.com

SIZE	CAGE CODE	DRAWN BY	ITEM NO.
A	53919	DPM	PE73SP1065

REV A

THESE COMMODITIES, TECHNOLOGY OR SOFTWARE WERE EXPORTED FROM THE UNITED STATES IN ACCORDANCE WITH THE EXPORT ADMINISTRATION REGULATIONS. DIVERSION CONTRARY TO U.S. LAW PROHIBITED.