



Quarter Wave Stub RF Surge Protector, Type  
7/16 DIN F/F, Low PIM, 800 - 2,250MHz

RF Surge Protectors Technical Data Sheet

PE73SP1063

**Features**

- Broadband Performance from 800 to 2,250 MHz
- DC Block Topology
- Bi-directional, Repetitive Strike Protection
- Low PIM

**Applications**

- Distributed Antenna Systems (DAS)
- Emergency Response Systems
- Public Safety Systems
- Cellular

**Description**

RF surge protector (also known as lightning arrestor) PE73SP1063 from Pasternack Enterprise utilizing a quarter wave stub design to protect critical hardware while maintaining the RF performance. This RF surge protector component is manufactured in a coaxial in-line design with wide operating frequency range. Pasternack Enterprise's RF surge protector products are available in stock with same day shipping.

**Electrical Specifications**

Surge Protector Type		Quarter Wave Stub		
Description	Minimum	Typical	Maximum	Units
Frequency Range	0.8		2.25	GHz
Impedance		50		Ohms
VSWR			1.2:1	
Insertion Loss			0.2	dB
Passive Intermodulation			-150	dBc

**Mechanical Specifications**

Size	
Length	3.57 in [90.68 mm]
Width/Diameter	2.95 in [74.93 mm]
Height	1.1 in [27.94 mm]
Weight	1.2 lbs [544.31 g]
Housing Material and Plating	Brass, Tri-Metal

Configuration	
Input Connector	7/16 DIN Female
Output Connector	7/16 DIN Female

**Environmental Specifications**

Temperature	
Operating Range	-40 to +85 deg C

Click the following link (or enter part number in "SEARCH" on website) to obtain additional part information including price, inventory and certifications: [Quarter Wave Stub RF Surge Protector, Type 7/16 DIN F/F, Low PIM, 800 - 2,250MHz PE73SP1063](#)



Quarter Wave Stub RF Surge Protector, Type  
7/16 DIN F/F, Low PIM, 800 - 2,250MHz

RF Surge Protectors Technical Data Sheet

PE73SP1063

**Compliance Certifications** (see [product page](#) for current document)

**Plotted and Other Data**

Notes:

Quarter Wave Stub RF Surge Protector, Type 7/16 DIN F/F, Low PIM, 800 - 2,250MHz from Pasternack Enterprises has same day shipment for domestic and International orders. Our RF, microwave and millimeter wave products maintain a 99.4% availability and are part of the broadest selection in the industry.

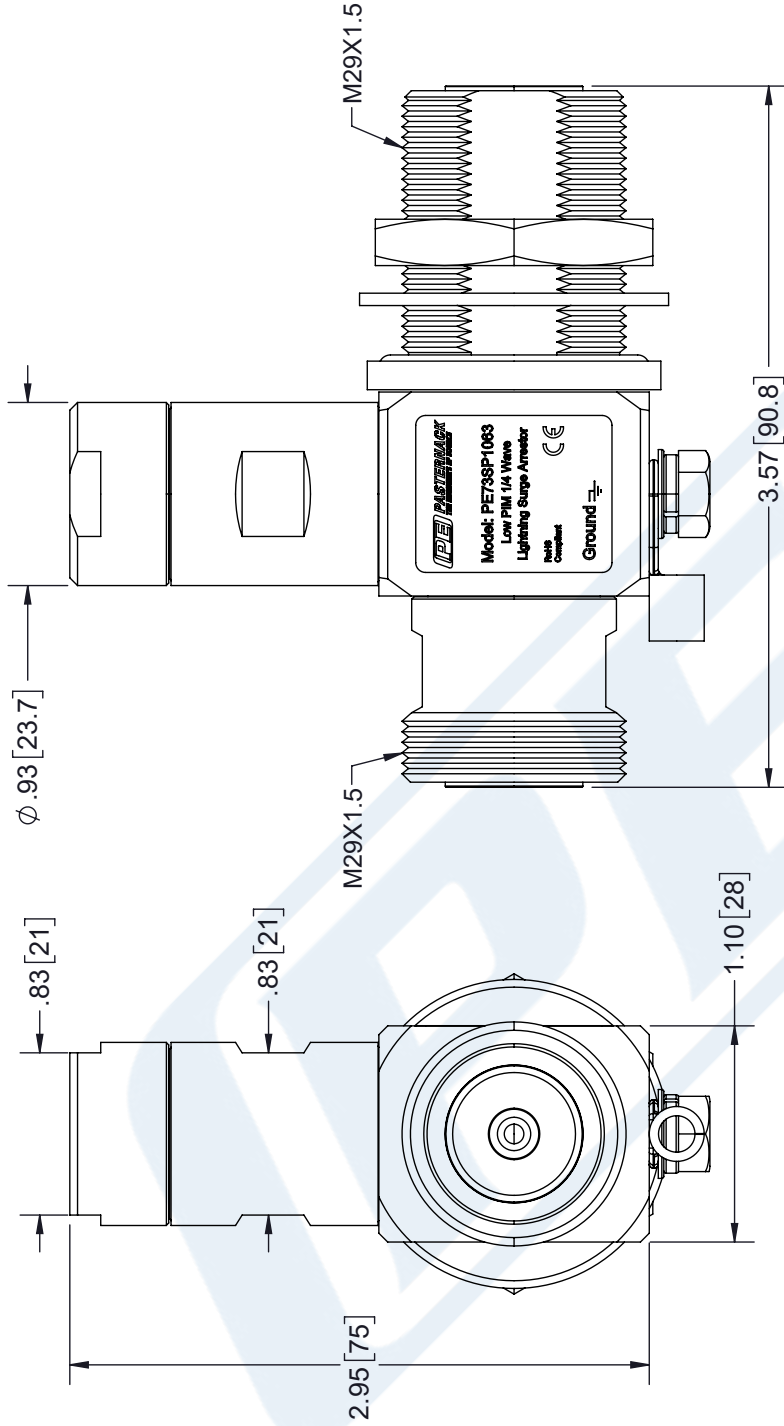
Click the following link (or enter part number in "SEARCH" on website) to obtain additional part information including price, inventory and certifications: [Quarter Wave Stub RF Surge Protector, Type 7/16 DIN F/F, Low PIM, 800 - 2,250MHz PE73SP1063](#)

URL: <https://www.pasternack.com/7-16-din-surge-protector-2.25ghz-quarter-wave-stub-pe73sp1063-p.aspx>

# PE73SP1063 CAD Drawing

Quarter Wave Stub RF Surge Protector, Type 7/16 DIN F/F, Low PIM, 800 - 2,250MHz

REVISIONS			
REV.	DESCRIPTION	ECN	DATE
A	PRODUCTION RELEASE		4/28/20
			DWR



THIRD-ANGLE PROJECTION

THE INFORMATION AND DESIGN IN THIS DOCUMENT IS THE PROPERTY OF PASTERNAK CORPORATION ALL RIGHTS RESERVED.

SHEET 1 OF 1

SCALE 1:1

REV A

---

**PE PASTERNAK**  
an INFINITI® brand

Pasternack Enterprises, Inc.  
P.O. Box 16759, Irvine, CA 92623.  
Phone: 1.949.261.1920 | 1.866.727.8376  
Fax: 1.949.261.7451  
Website: www.pasternack.com  
E-mail: sales@pasternack.com

ITEM NO. PE73SP1063

---

UNLESS OTHERWISE SPECIFIED LEADING DIMENSIONS ARE INCHES DIMENSIONS IN [ ] ARE MILLIMETERS

TOLERANCES:

.X = ±.2 [5.08] FRACTIONS ± 1/32  
.XX = ±.02 [.51] ± 1/32  
.XXX = ±.005 [.13] ANGLES ± 1°

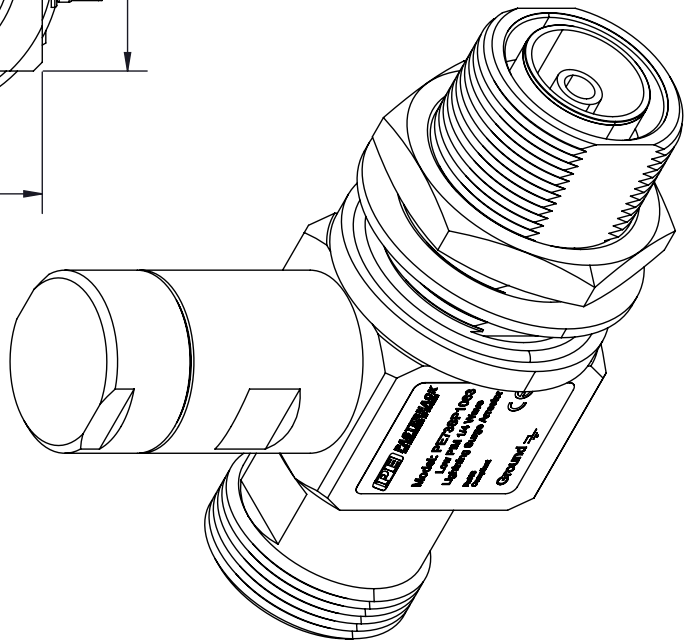
CABLE LENGTH (L), TOLERANCES:

L ≤ 12 [305] = +.5 [13] / -0  
12 [305] < L ≤ 60 [1524] = +1 [25] / -0  
60 [1524] < L ≤ 120 [3048] = +2 [51] / -0  
120 [3048] < L ≤ 300 [7620] = +3 [76] / -0  
300 [7620] < L = +2.5% / -0

ALL DIMENSIONS SHOWN ARE FOR REFERENCE ONLY.

---

SIZE A 53919 DPM DRAWN BY DPM



THESE COMMODITIES, TECHNOLOGY OR SOFTWARE WERE EXPORTED FROM THE UNITED STATES IN ACCORDANCE WITH THE EXPORT ADMINISTRATION REGULATIONS. DIVERSION CONTRARY TO U.S. LAW PROHIBITED.