



4.3-10 F/F In/Out Bulkhead Coax RF Surge Protector, 698MHz - 2.7GHz, DC Block, 500W, IP67, 40kA, Filter, Low PIM -173 dBc

RF Surge Protectors Technical Data Sheet

PE73SP1051

Features

- Surge current of 40kA
- Max Power 500W
- Frequency range from 698 MHz to 2.7 GHz
- Waterproof IP67 rated
- 4.3-10 female connectors
- DC Block
- Low PIM
- VSWR <1.1:1
- Low insertion loss
- CE & RoHS compliant

Applications

- Cellular communication systems
- Emergency response systems
- Public safety systems
- Industrial

Description

RF surge protector (also known as lightning arrester) PE73SP1051 from Pasternack utilizing a patented spiral inductor design enables an almost instantaneous response to a lightning surge to protect critical hardware while maintaining the RF performance. This RF surge protector component is manufactured in a coaxial in-line design with wide operating frequency range. All Pasternack RF surge protector products are available in stock with same day shipping.

Electrical Specifications

Surge Protector Type
DC Handling

Surge Filter
DC Block

Description	Minimum	Typical	Maximum	Units
Frequency Range	0.698		2.7	GHz
Impedance		50		Ohms
VSWR			1.1:1	
Return Loss			26	dB
Insertion Loss			0.1	dB
Passive Intermodulation			-173	dBc
Input Power, CW 500W @ 920MHz 750W @ 50°C			500	Watts
Surge Current IEC 61000-4-5 8/20µs WAVEFORM			40	kA
Throughput Energy FOR 3kA@ 8/20µs WAVEFORM			500	nJ

Click the following link (or enter part number in "SEARCH" on website) to obtain additional part information including price, inventory and certifications: [4.3-10 F/F In/Out Bulkhead Coax RF Surge Protector, 698MHz - 2.7GHz, DC Block, 500W, IP67, 40kA, Filter, Low PIM -173 dBc PE73SP1051](#)



4.3-10 F/F In/Out Bulkhead Coax RF Surge Protector, 698MHz - 2.7GHz, DC Block, 500W, IP67, 40kA, Filter, Low PIM -173 dBc

RF Surge Protectors Technical Data Sheet

PE73SP1051

Mechanical Specifications

Configuration

Input Connector	4.3-10 Female
Output Connector	4.3-10 Female

Environmental Specifications

Temperature

Operating Range -50 to +85 deg C

Ingress Protection (IP) Rating IP 67

Compliance Certifications (see [product page](#) for current document)

Plotted and Other Data

Notes:

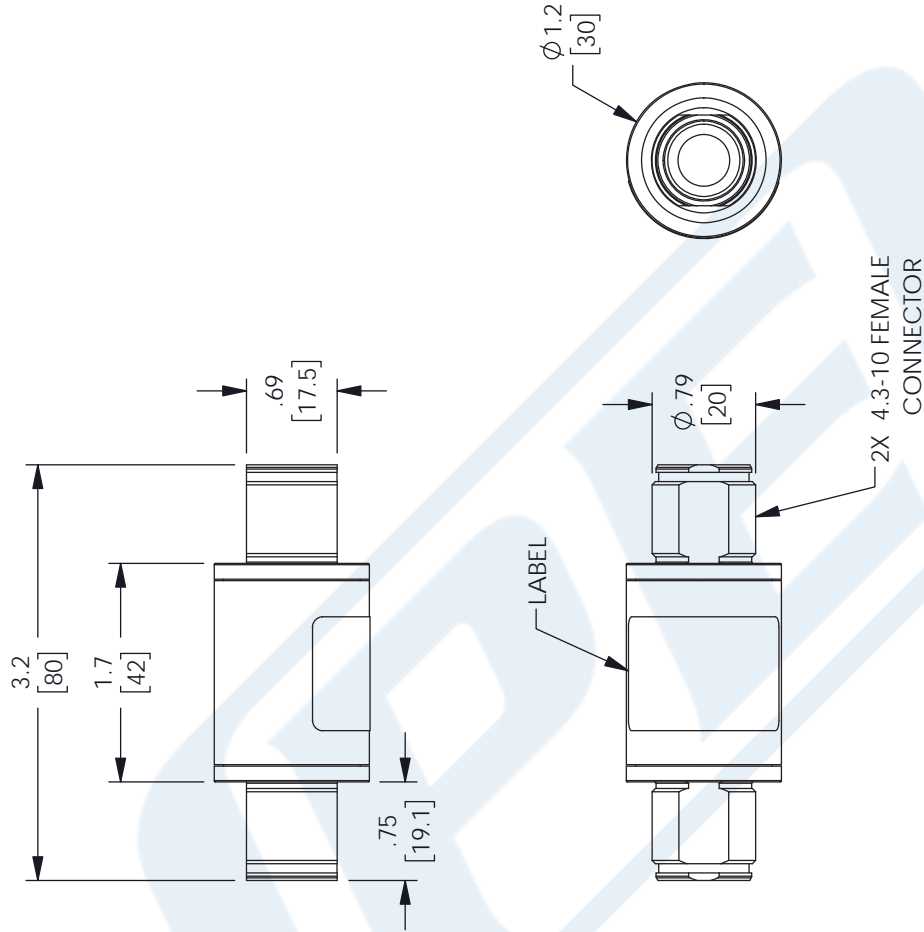
4.3-10 F/F In/Out Bulkhead Coax RF Surge Protector, 698MHz - 2.7GHz, DC Block, 500W, IP67, 40kA, Filter, Low PIM -173 dBc from Pasternack Enterprises has same day shipment for domestic and International orders. Our RF, microwave and millimeter wave products maintain a 99.4% availability and are part of the broadest selection in the industry.

Click the following link (or enter part number in "SEARCH" on website) to obtain additional part information including price, inventory and certifications: [4.3-10 F/F In/Out Bulkhead Coax RF Surge Protector, 698MHz - 2.7GHz, DC Block, 500W, IP67, 40kA, Filter, Low PIM -173 dBc PE73SP1051](#)

URL: <https://www.pasternack.com/4.3-10-surge-protector-2.7ghz-filter-pe73sp1051-p.aspx>

PE73SP1051 CAD Drawing

4.3-10 F/F In/Out Bulkhead Coax RF Surge Protector, 698MHz - 2.7GHz, DC Block, 500W, IP67, 40kA, Filter, Low PIM -173 dBc



STANDARD TOLERANCES
.X ± 0.2
.XX ± 0.01
.XXX ± 0.005

*STANDARD TOLERANCES APPLY ONLY TO DIMENSIONS IN INCHES

NOTE:

HARDWARE INCLUDED.



Pasternack Enterprises, Inc.
 P.O. Box 16759 | Irvine | CA | 92623
Phone: (949) 261-1920 | **Fax:** (949) 261-7451
Website: www.pasternack.com | **E-Mail:** sales@pasternack.com

DWG TITLE

PE73SP1051

CAGE CODE 53919

NOTES:
 1. UNLESS OTHERWISE SPECIFIED ALL DIMENSIONS ARE NOMINAL.
 2. ALL SPECIFICATIONS ARE SUBJECT TO CHANGE WITHOUT NOTICE AT ANY TIME.
 3. DIMENSIONS ARE IN INCHES [mm].

CAD FILE 3/22/18

SCALE N/A

SIZE A

256