



UHF F/F In/Out Bulkhead Coax RF Surge Protector, 1.5MHz - 700MHz, DC Block, 2kW, 50kA, Blocking Cap and Gas Tube

RF Surge Protectors Technical Data Sheet

PE73SP1032

Features

- Surge current of 50kA
- Max Power 2kW
- Frequency range from 1.5 MHz to 700 MHz
- UHF Female to UHF Female connectors
- VSWR 1.2:1
- Multi-strike capability
- CE & RoHS compliant

Applications

- HF, UHF and VHF radios
- Ham radios
- Remote industrial monitoring

Description

RF surge protector (also known as lightning arrester) PE73SP1032 from Pasternack utilizing a proprietary surge protection technology protects critical hardware from lightening events while maintaining the RF performance. This RF surge protector component is manufactured in a coaxial in-line design with wide operating frequency range. Optional weather proofing kit and copper cleaning kit are available for purchase separately. All Pasternack RF surge protector products are available in stock with same day shipping.

Electrical Specifications

Surge Protector Type
DC Handling

Blocking Cap and Gas Tube
DC Block

Description	Minimum	Typical	Maximum	Units
Frequency Range	1.5		700	MHz
Impedance		50		Ohms
VSWR			1.2:1	
Return Loss			21	dB
Insertion Loss			0.1	dB
Input Power, CW			2	KWatts
2kW @ HF Band				
375W @ VHF Band				
125W @ UHF Band				
Surge Current			50,000	Amps
IEC 61000-4-5 8/20µs WAVEFORM				
Turn On Voltage		600 ±20 %		Volts
Throughput Energy			10,000	µJ

Click the following link (or enter part number in "SEARCH" on website) to obtain additional part information including price, inventory and certifications: [UHF F/F In/Out Bulkhead Coax RF Surge Protector, 1.5MHz - 700MHz, DC Block, 2kW, 50kA, Blocking Cap and Gas Tube PE73SP1032](#)



UHF F/F In/Out Bulkhead Coax RF Surge Protector, 1.5MHz - 700MHz, DC Block, 2kW, 50kA, Blocking Cap and Gas Tube

RF Surge Protectors Technical Data Sheet

PE73SP1032

Mechanical Specifications

Configuration

Input Connector	UHF Female
Output Connector	UHF Female

Environmental Specifications

Temperature

Operating Range	-45 to 85 deg C
-----------------	-----------------

Compliance Certifications (see [product page](#) for current document)

Plotted and Other Data

Notes:

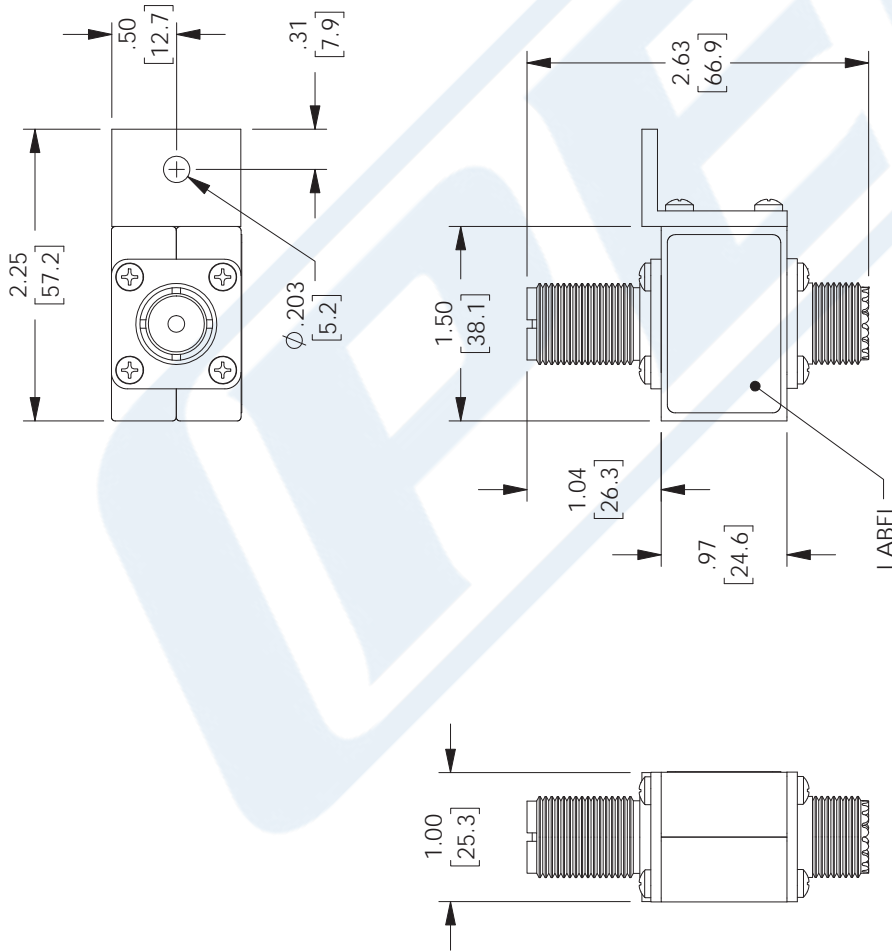
UHF F/F In/Out Bulkhead Coax RF Surge Protector, 1.5MHz - 700MHz, DC Block, 2kW, 50kA, Blocking Cap and Gas Tube from Pasternack Enterprises has same day shipment for domestic and International orders. Our RF, microwave and millimeter wave products maintain a 99.4% availability and are part of the broadest selection in the industry.

Click the following link (or enter part number in "SEARCH" on website) to obtain additional part information including price, inventory and certifications: [UHF F/F In/Out Bulkhead Coax RF Surge Protector, 1.5MHz - 700MHz, DC Block, 2kW, 50kA, Blocking Cap and Gas Tube PE73SP1032](#)

URL: <https://www.pasternack.com/uhf-surge-protector-700mhz-blocking-cap-gas-tube-pe73sp1032-p.aspx>

PE73SP1032 CAD Drawing

UHF F/F In/Out Bulkhead Coax RF Surge Protector, 1.5MHz - 700MHz, DC Block, 2kW, 50kA, Blocking Cap and Gas Tube



NOTES:

HARDWARE INCLUDED.

REGULATORY COMPLIANCE:

CE2011/65/EU (RoHS DIRECTIVE)

STANDARD TOLERANCES

- .X ± 0.2
- .XX ± 0.01
- .XXX ± 0.005

*STANDARD TOLERANCES APPLY ONLY TO DIMENSIONS IN INCHES



Pasternack Enterprises, Inc.
 P.O. Box 16759 | Irvine | CA | 92623
Phone: (949) 261-1920 | **Fax:** (949) 261-7451
Website: www.pasternack.com | **E-Mail:** sales@pasternack.com

DWG TITLE

PE73SP1032

NOTES:
 1. UNLESS OTHERWISE SPECIFIED ALL DIMENSIONS ARE NOMINAL.
 2. ALL SPECIFICATIONS ARE SUBJECT TO CHANGE WITHOUT NOTICE AT ANY TIME.
 3. DIMENSIONS ARE IN INCHES (mm).

CAGE CODE 53919

CAD FILE 3/23/18

SCALE N/A

SIZE A

256