



Type N F/F In/Out Coax RF Surge Protector, 800MHz - 2.5GHz,
 DC Pass, 300W, IP67, 20kA, Hybrid, Bracket Toward Body

RF Surge Protectors Technical Data Sheet

PE73SP1010

Features

- Surge current of 20kA
- Max Power 300W
- Frequency range from 800 MHz to 2.5GHz
- N-type female connectors
- Waterproof IP67 rated
- DC Pass
- VSWR <1.1:1
- Low insertion loss
- CE & RoHS compliant

Applications

- GPS systems
- Active antenna systems

Description

RF surge protector (also known as lightning arrester) PE73SP1010 from Pasternack, utilizing a patented hybrid protection technology integrating a silicon avalanche suppression diode (SASD) and a MOV and gas tube, enables a quick response to a lightning surge to protect critical hardware while maintaining the RF performance. This RF surge protector component is manufactured in a coaxial in-line design with wide operating frequency range. All Pasternack RF surge protector products are available in stock with same day shipping.

Electrical Specifications

Surge Protector Type Hybrid
 DC Handling DC Pass

Description	Minimum	Typical	Maximum	Units
Frequency Range	0.8		2.5	GHz
Impedance		50		Ohms
VSWR			1.1:1	
Return Loss			26	dB
Insertion Loss			0.1	dB
Input Power, CW			300	Watts
Surge Current IEC 61000-4-5 8/20µs Waveform			20,000	Amps
Turn On Voltage		6.5		Volts
Throughput Energy FOR 3kA @ 8/20µs WAVEFORM			175	µJ

Click the following link (or enter part number in "SEARCH" on website) to obtain additional part information including price, inventory and certifications: [Type N F/F In/Out Coax RF Surge Protector, 800MHz - 2.5GHz, DC Pass, 300W, IP67, 20kA, Hybrid, Bracket Toward Body PE73SP1010](#)



Type N F/F In/Out Coax RF Surge Protector, 800MHz - 2.5GHz,
DC Pass, 300W, IP67, 20kA, Hybrid, Bracket Toward Body

RF Surge Protectors Technical Data Sheet

PE73SP1010

Mechanical Specifications

Configuration

Input Connector	N Female
Output Connector	N Female

Environmental Specifications

Temperature

Operating Range	-50 to 85 deg C
-----------------	-----------------

Ingress Protection (IP) Rating	IP 67
--------------------------------	-------

Compliance Certifications (see [product page](#) for current document)

Plotted and Other Data

Notes:

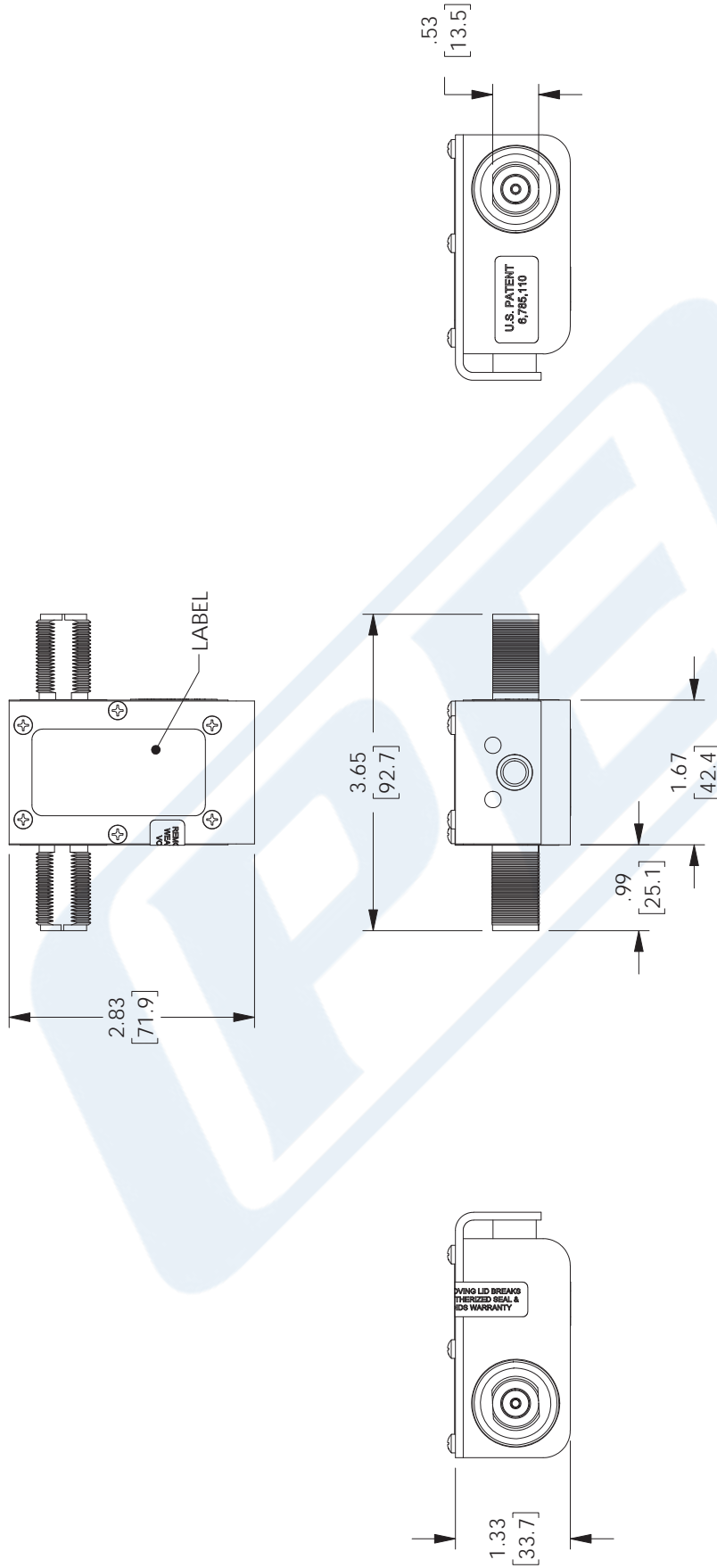
Type N F/F In/Out Coax RF Surge Protector, 800MHz - 2.5GHz, DC Pass, 300W, IP67, 20kA, Hybrid, Bracket Toward Body from Pasternack Enterprises has same day shipment for domestic and International orders. Our RF, microwave and millimeter wave products maintain a 99.4% availability and are part of the broadest selection in the industry.

Click the following link (or enter part number in "SEARCH" on website) to obtain additional part information including price, inventory and certifications: [Type N F/F In/Out Coax RF Surge Protector, 800MHz - 2.5GHz, DC Pass, 300W, IP67, 20kA, Hybrid, Bracket Toward Body PE73SP1010](#)

URL: <https://www.pasternack.com/type-n-surge-protector-2.5ghz-hybrid-pe73sp1010-p.aspx>

PE73SP1010 CAD Drawing

Type N F/F In/Out Coax RF Surge Protector, 800MHz - 2.5GHz, DC Pass, 300W, IP67, 20kA, Hybrid, Bracket Toward Body



NOTES:

HARDWARE INCLUDED.

REGULATORY COMPLIANCE:

CE2011/65/EU(RoHS DIRECTIVE)

STANDARD TOLERANCES	
.X	±0.2
.XX	±0.01
.XXX	±0.005

*STANDARD TOLERANCES APPLY ONLY TO DIMENSIONS IN INCHES



Pasternack Enterprises, Inc.
 P.O. Box 16759 | Irvine | CA | 92623
Phone: (949) 261-1920 | **Fax:** (949) 261-7451
Website: www.pasternack.com | **E-Mail:** sales@pasternack.com

DWG TITLE

PE73SP1010

NOTES:
 1. UNLESS OTHERWISE SPECIFIED ALL DIMENSIONS ARE NOMINAL.
 2. ALL SPECIFICATIONS ARE SUBJECT TO CHANGE WITHOUT NOTICE AT ANY TIME.
 3. DIMENSIONS ARE IN INCHES (mm).

CAGE CODE 53919

CAD FILE 3/22/18

SCALE N/A

SIZE A

256