



Type N F/F In/Out Bulkhead Coax RF Surge Protector,
DC - 2.5GHz and 1GHz - 2GHz, DC Pass, 2kW,
None, 150 V Max., 5kA, Gas Discharge Tube

RF Surge Protectors Technical Data Sheet

PE7301-4

Electrical Specifications

Surge Protector Type Gas Discharge Tube
DC Handling DC Pass

| Description | Minimum | Typical | Maximum | Units |
|------------------------------------|---------|---------|---------|--------|
| Frequency Range | DC | | 2.5 | GHz |
| Impedance | | 50 | | Ohms |
| Insertion Loss | | | 0.5 | dB |
| Operating Voltage (DC) | | | 150 | Volts |
| Input Power, CW | | | 2 | kWatts |
| Surge Current | | | 5 | kA |
| Breakdown Voltage | 20 | | 30 | Vdc |
| 350V ±15% @<100V/S>1000@5kv/µsRise | | | | |

Specifications by Frequency

| Description | F1 | F2 | F3 | F4 | F5 | Units |
|---------------------|---------|--------|----------|----|----|-------|
| Frequency Range | DC to 1 | 1 to 2 | 2 to 2.5 | | | GHz |
| VSWR, Typ | 1.1:1 | 1.3:1 | | | | |
| Insertion Loss, Typ | 0.1 | 0.2 | 0.5 | | | |

Mechanical Specifications

Size

Length 2.686 in [68.22 mm]
Width/Diameter 1 in [25.4 mm]
Height 2.495 in [63.37 mm]
Weight 0.335 lbs [151.95 g]

Configuration

Input Connector N Female
Output Connector N Female

Environmental Specifications

Ingress Protection (IP) Rating None

Click the following link (or enter part number in "SEARCH" on website) to obtain additional part information including price, inventory and certifications: [Type N F/F In/Out Bulkhead Coax RF Surge Protector, DC - 2.5GHz and 1GHz - 2GHz, DC Pass, 2kW, None, 150 V Max., 5kA, Gas Discharge Tube PE7301-4](#)



Type N F/F In/Out Bulkhead Coax RF Surge Protector,
DC - 2.5GHz and 1GHz - 2GHz, DC Pass, 2kW,
None, 150 V Max., 5kA, Gas Discharge Tube

RF Surge Protectors Technical Data Sheet

PE7301-4

Compliance Certifications (see [product page](#) for current document)

Plotted and Other Data

Notes:

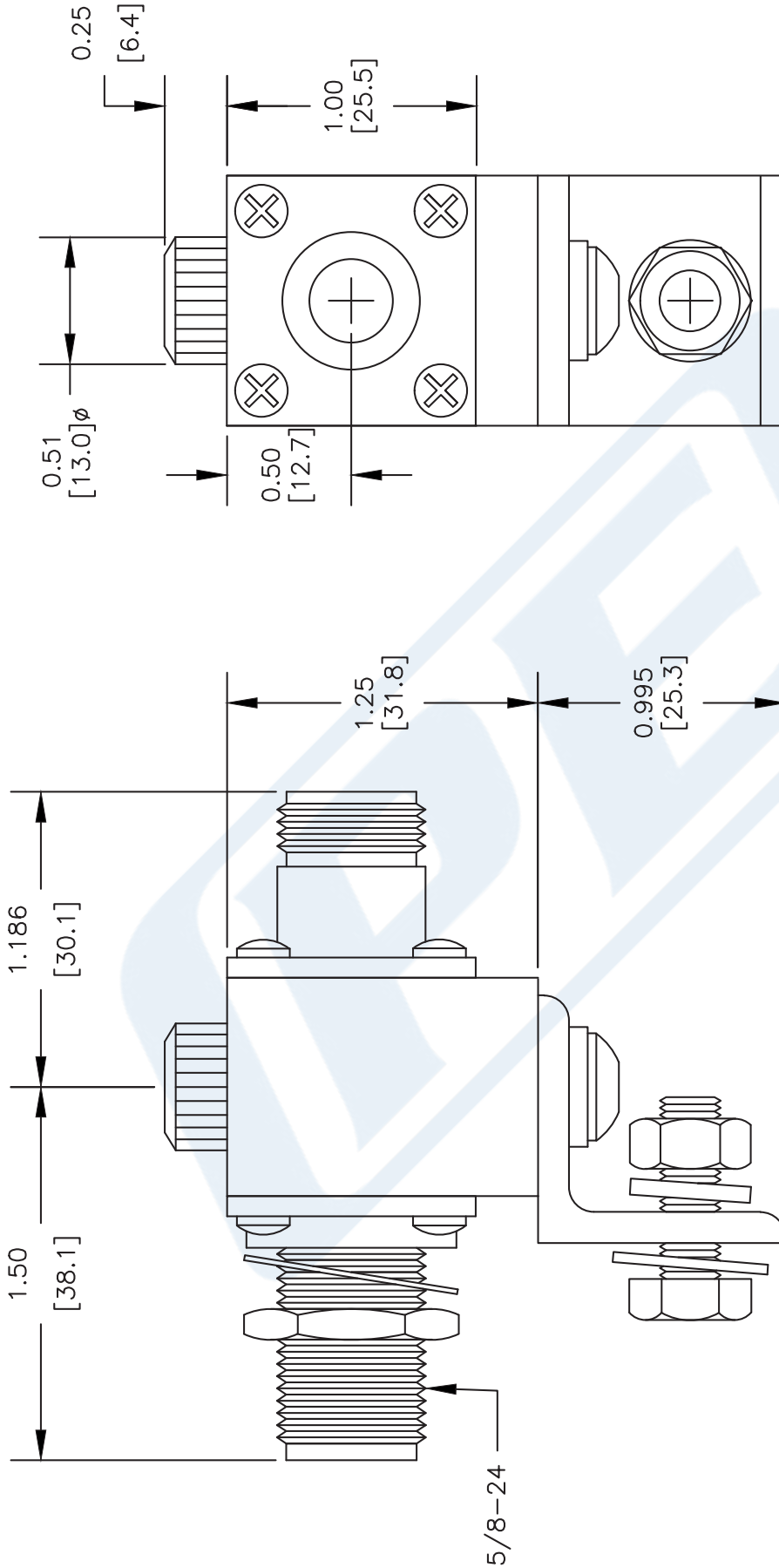
Type N F/F In/Out Bulkhead Coax RF Surge Protector, DC - 2.5GHz and 1GHz - 2GHz, DC Pass, 2kW, None, 150 V Max., 5kA, Gas Discharge Tube from Pasternack Enterprises has same day shipment for domestic and International orders. Our RF, microwave and millimeter wave products maintain a 99.4% availability and are part of the broadest selection in the industry.

Click the following link (or enter part number in "SEARCH" on website) to obtain additional part information including price, inventory and certifications: [Type N F/F In/Out Bulkhead Coax RF Surge Protector, DC - 2.5GHz and 1GHz - 2GHz, DC Pass, 2kW, None, 150 V Max., 5kA, Gas Discharge Tube PE7301-4](#)

URL: <https://www.pasternack.com/n-female-bulkhead-coax-surge-protector-pe7301-4-p.aspx>

PE7301-4 CAD Drawing

Type N F/F In/Out Bulkhead Coax RF Surge Protector, DC - 2.5GHz and 1GHz
 - 2GHz, DC Pass, 2kW, None, 150 V Max., 5kA, Gas Discharge Tube



NOTES:
 1. UNLESS OTHERWISE SPECIFIED ALL DIMENSIONS ARE NOMINAL.
 2. ALL SPECIFICATIONS ARE SUBJECT TO CHANGE WITHOUT NOTICE AT ANY TIME.
 3. DIMENSIONS ARE IN INCHES [mm].

DWG TITLE
PE7301-4

FSCM NO. 53919

XXXX

SIZE A

SCALE N/A

CAD FILE 051109

PE PASTERNAK®
 Pasternack Enterprises, Inc.
 P.O. Box 16759 | Irvine | CA | 92623
 Phone: (949) 261-1920 | Fax: (949) 261-7451
 Website: www.pasternack.com | E-Mail: sales@pasternack.com