



Type N F/F In/Out Coax RF Surge Protector, DC - 3GHz and 1GHz - 2GHz, DC Pass, 200W, None, 150 V Max., 5kA, Gas Discharge Tube

RF Surge Protectors Technical Data Sheet

PE7301-1

Electrical Specifications

Surge Protector Type Gas Discharge Tube
 DC Handling DC Pass

Description	Minimum	Typical	Maximum	Units
Frequency Range	DC		3	GHz
Impedance		50		Ohms
Insertion Loss			0.5	dB
Operating Voltage (DC)			150	Volts
Input Power, CW			200	Watts
Surge Current			5	kA

350V ±15% @<100V/S>1000@5kv/µsRise

Specifications by Frequency

Description	F1	F2	F3	F4	F5	Units
Frequency Range	DC to 1	1 to 2	2 to 3			GHz
VSWR, Typ	1.1:1	1.3:1				
Insertion Loss, Typ	0.1	0.2	0.5			

Mechanical Specifications

Size

Length 2.372 in [60.25 mm]
 Width/Diameter 1 in [25.4 mm]
 Height 2.625 in [66.68 mm]
 Weight 0.3005 lbs [136.3 g]

Configuration

Input Connector N Female
 Output Connector N Female

Environmental Specifications

Ingress Protection (IP) Rating None

Click the following link (or enter part number in "SEARCH" on website) to obtain additional part information including price, inventory and certifications: [Type N F/F In/Out Coax RF Surge Protector, DC - 3GHz and 1GHz - 2GHz, DC Pass, 200W, None, 150 V Max., 5kA, Gas Discharge Tube PE7301-1](#)



Type N F/F In/Out Coax RF Surge Protector, DC - 3GHz and 1GHz - 2GHz, DC Pass, 200W, None, 150 V Max., 5kA, Gas Discharge Tube

RF Surge Protectors Technical Data Sheet

PE7301-1

Compliance Certifications (see [product page](#) for current document)

Plotted and Other Data

Notes:

Type N F/F In/Out Coax RF Surge Protector, DC - 3GHz and 1GHz - 2GHz, DC Pass, 200W, None, 150 V Max., 5kA, Gas Discharge Tube from Pasternack Enterprises has same day shipment for domestic and International orders. Our RF, microwave and millimeter wave products maintain a 99.4% availability and are part of the broadest selection in the industry.

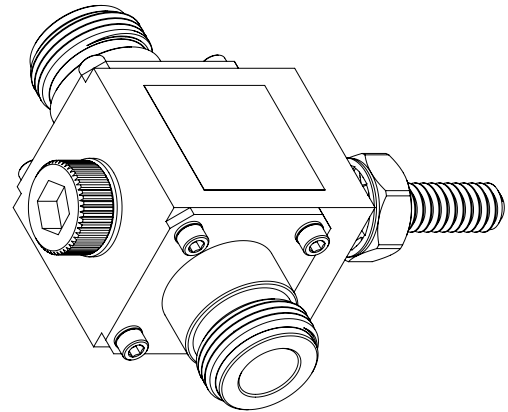
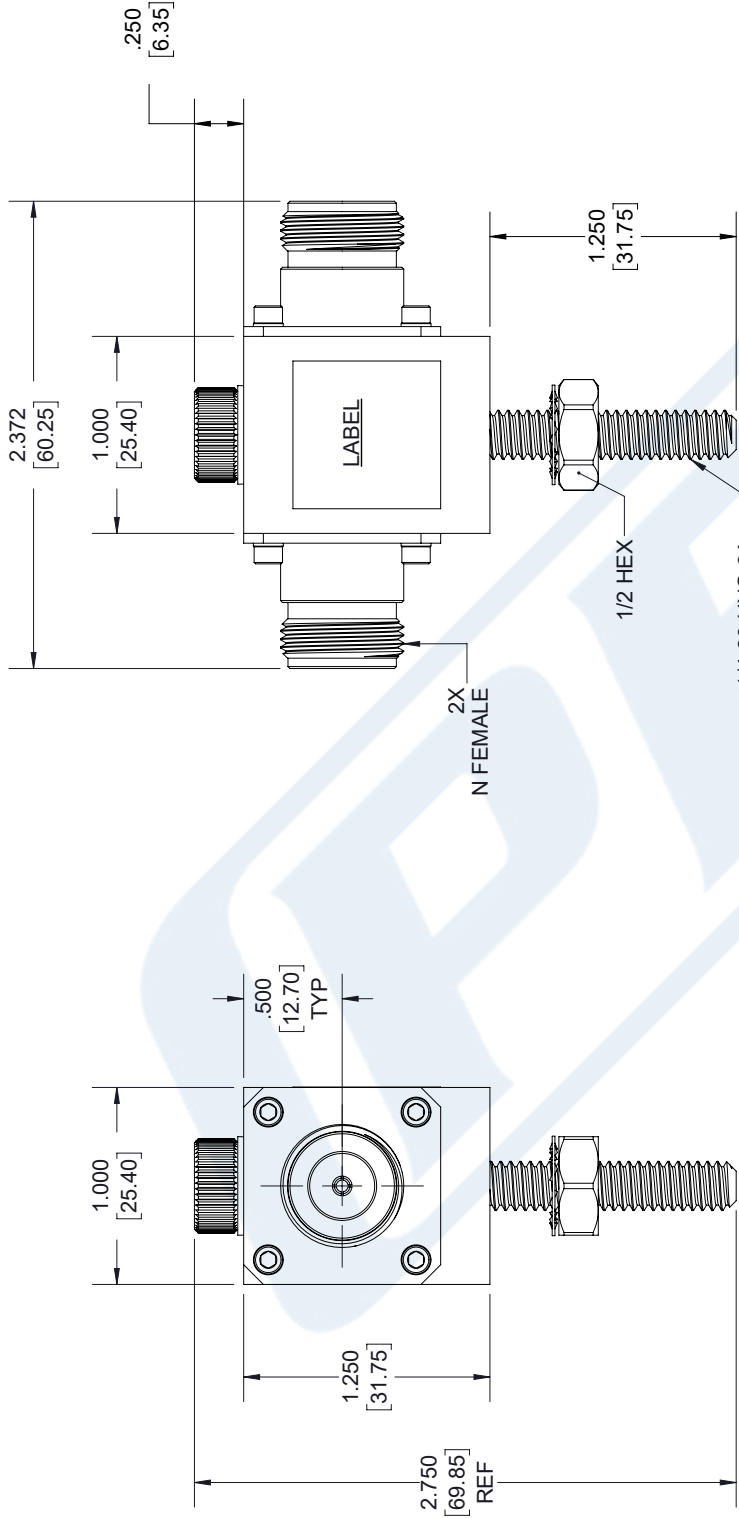
Click the following link (or enter part number in "SEARCH" on website) to obtain additional part information including price, inventory and certifications: [Type N F/F In/Out Coax RF Surge Protector, DC - 3GHz and 1GHz - 2GHz, DC Pass, 200W, None, 150 V Max., 5kA, Gas Discharge Tube PE7301-1](#)

URL: <https://www.pasternack.com/n-female-coax-surge-protector-pe7301-1-p.aspx>

PE7301-1 CAD Drawing

Type N F/F In/Out Coax RF Surge Protector, DC - 3GHz and 1GHz - 2GHz,
DC Pass, 200W, None, 150 V Max., 5kA, Gas Discharge Tube

REV.	DESCRIPTION	DATE	APPROVED
A	PCR PE7301-1 20191125	12/11/19	S.ELLIS



THIRD-ANGLE PROJECTION

THE INFORMATION AND DESIGN IN THIS DOCUMENT IS THE PROPERTY OF PASTERNAK CORPORATION. ALL RIGHTS RESERVED.

SHEET 1 OF 1

SCALE N/A

PE PASTERNAK
an INFINITI brand

Pasternack Enterprises, Inc.
P. O. Box 16759, Irvine, CA 92623.
Phone: 1.949.261.1920 | 1.866.727.8376
Fax: 1.949.261.7451
Website: www.pasternack.com
E-mail: sales@pasternack.com

UNLESS OTHERWISE SPECIFIED LEADING DIMENSIONS ARE INCHES DIMENSIONS IN [] ARE MILLIMETERS

TOLERANCES:

.X = ±.2	[5.08]	FRACTIONS
.XX = ±.02	[.51]	± 1/32
.XXX = ±.005	[.13]	ANGLES ± 1°

CABLE LENGTH (L) TOLERANCES:

L ≤ 12	[305]	± .1	[25] / -0
12	[305]	< L ≤ 60	[1524] = +2 [51] / -0
60	[1524]	< L ≤ 120	[3048] = +4 [102] / -0
120	[3048]	< L ≤ 300	[7620] = +6 [152] / -0
300	[7620]	< L =	+5% / L / -0

ALL DIMENSIONS SHOWN ARE FOR REFERENCE ONLY.

SIZE A 53919 K.DANG DRAWN BY

CAGE CODE PE7301-1

REV A

LABEL

PASTERNAK
PE7301-1
D/C: YYWW

THESE COMMODITIES, TECHNOLOGY OR SOFTWARE WERE EXPORTED FROM THE UNITED STATES IN ACCORDANCE WITH THE EXPORT ADMINISTRATION REGULATIONS. DIVERSION CONTRARY TO U.S. LAW PROHIBITED.