



SP6T Electromechanical Relay Normally Open Switch DC to 26.5 GHz, SMA, 40 Watts, 28V Control with TTL

Electromechanical Relay Switches Technical Data Sheet

PE71S6088

Features

- Single Pole Six Throw Relay Switch
- DC to 26.5 GHz Frequency Range
- 10M Cycle Min (25M Typ) Operating Life
- 40 Watt Avg Power Max
- -40 to +85 Deg C Operating Temperature
- Insertion Loss 0.6 dB Max
- VSWR 1.6:1 Max

Applications

- High Performance Relay Switch
- Military Communications
- Communications Systems
- Test & Measurement

Description

The PE71S6088 is a Single Pole Six Throw Electromechanical Relay Switch that operates from DC to 26.5 GHz and can handle up to 250 Watts of CW input power in a Break Before Make condition. The design features a Normally Open Actuator with TTL Logic and is rated for 10M Life Cycles (25M typical) for high reliability operation. Insertion loss is specified from 0.2 dB max and Isolation from 80 dB min, with +28 Vdc operating voltage. Performance is guaranteed over -40°C to +85°C and the switch assembly is RoHS and REACH compliant. The package interface uses solder terminals and SMA Female connectors.

Electrical Specifications

Switch Type	SP6T, Reflective
Actuator Type	Normally Open
Switching Sequence	Break before Make
Actuator Options	TTL Logic
TTL Control	on: 2.2 to 5.5 Volts off: 0 to 0.8 Volts

Description	Minimum	Typical	Maximum	Units
Frequency Range	DC		26.5	GHz
Impedance		50		Ohms
Operating Voltage	21	28	30	Volts
Actuating Current @ 28 Volts		110		mA
VSWR			1.6:1	
Insertion Loss			0.6	dB
Isolation	55			dB
Coil Resistance		250		Ohms
Input Power (CW)			40	Watts

Click the following link (or enter part number in "SEARCH" on website) to obtain additional part information including price, inventory and certifications: [SP6T Electromechanical Relay Normally Open Switch DC to 26.5 GHz, SMA, 40 Watts, 28V Control with TTL PE71S6088](#)





SP6T Electromechanical Relay Normally Open Switch DC to 26.5 GHz, SMA, 40 Watts, 28V Control with TTL

Electromechanical Relay Switches Technical Data

PE71S6088

Performance by Frequency

Description	F1	F2	F3	F4	F5	Units
Frequency Range	DC to 3	3 to 8	8 to 12.4	12.4 to 18	18 to 26.5	GHz
VSWR, Max	1.2:1	1.3:1	1.4:1	1.5:1	1.6:1	
Insertion Loss, Max	0.2	0.3	0.4	0.5	0.6	dB
Isolation, Min	80	70	60	60	55	dB
Input Power, Max (CW)	250	150	120	100	40	Watts

Electrical Specification Notes:
 Average Power and Actuating Current values at 25°C.

Mechanical Specifications

Size

Length	1.45 in [36.83 mm]
Width/Diameter	1.327 in [33.71 mm]
Height	1.327 in [33.71 mm]
Weight	0.24 lbs [108.86 g]
Operating Life	10,000,000 Cycles
Switching Time	10 ms Max

Connectors

RF Connector Type	SMA Female
Control Connector	Solder Pins

Mechanical Specification Notes:
 Solder Pins: 250°C max/30sec.
 Specified operating life is minimum. Typical operating life is 25M cycles.

Environmental Specifications

Temperature

Operating Range	-40 to +85 deg C
Storage Range	-55 to +85 deg C
Shock	MIL-STD-202, Method 213B, Cond. C
Sine Vibration	MIL-STD-202, Method 204D, Cond. D

Click the following link (or enter part number in "SEARCH" on website) to obtain additional part information including price, inventory and certifications: [SP6T Electromechanical Relay Normally Open Switch DC to 26.5 GHz, SMA, 40 Watts, 28V Control with TTL PE71S6088](#)



SP6T Electromechanical Relay Normally Open Switch DC to 26.5 GHz, SMA, 40 Watts, 28V Control with TTL

Electromechanical Relay Switches Technical Data

PE71S6088

Random Vibration
ESD Sensitivity



Environmental Specification Notes:
Environmental specifications are guaranteed but not tested.

Compliance Certifications (visit www.Pasternack.com for current document)

RoHS Compliant

REACH Compliant

12/17/2014

Plotted and Other Data

Notes:

- Values shown are typical at 25°C.

MIL-STD-202, Method 214A, Profile I, Cond. F
ESD Sensitive Material. Transport material in approved
ESD bags. Handle in approved ESD Workstation.

Click the following link (or enter part number in "SEARCH" on website) to obtain additional part information including price, inventory and certifications: [SP6T Electromechanical Relay Normally Open Switch DC to 26.5 GHz, SMA, 40 Watts, 28V Control with TTL PE71S6088](#)

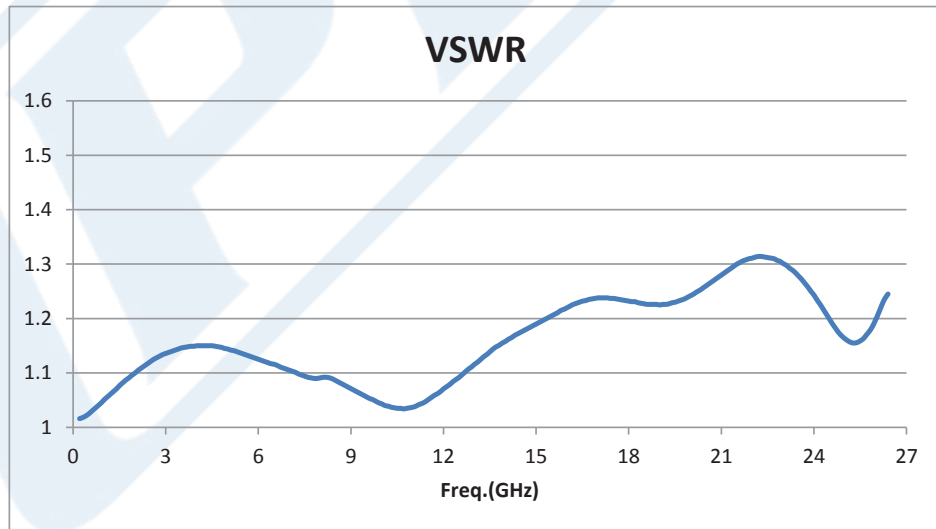
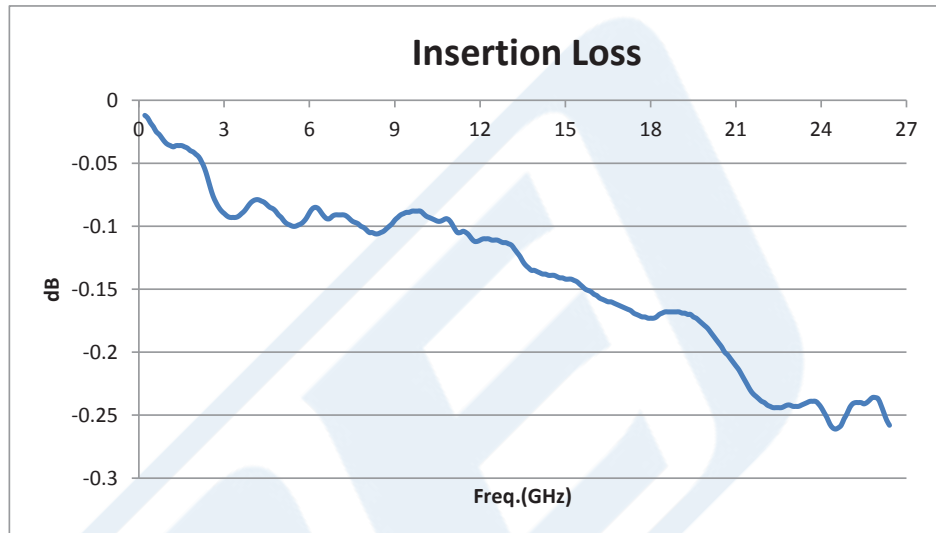


SP6T Electromechanical Relay Normally Open Switch DC to 26.5 GHz, SMA, 40 Watts, 28V Control with TTL

Electromechanical Relay Switches Technical Data

PE71S6088

Typical Performance Data



Click the following link (or enter part number in "SEARCH" on website) to obtain additional part information including price, inventory and certifications: [SP6T Electromechanical Relay Normally Open Switch DC to 26.5 GHz, SMA, 40 Watts, 28V Control with TTL PE71S6088](#)

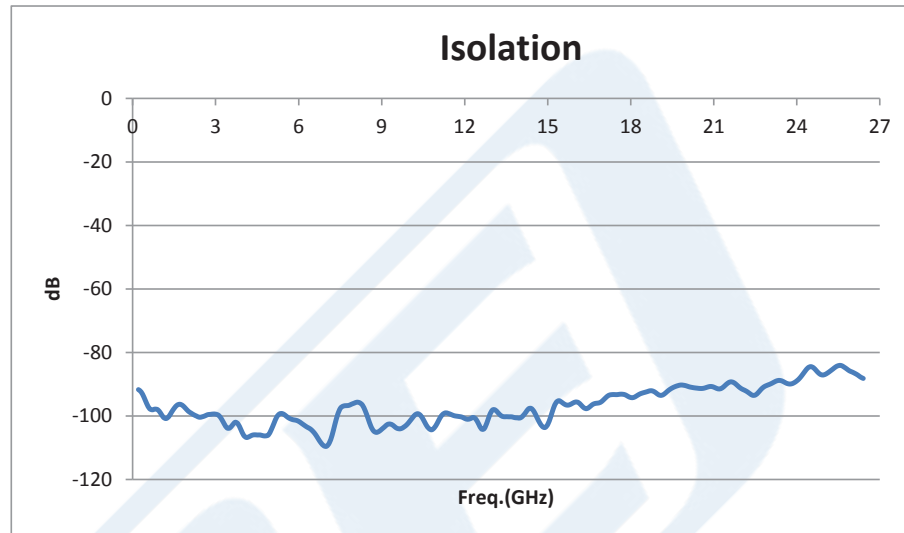




SP6T Electromechanical Relay Normally Open Switch DC
to 26.5 GHz, SMA, 40 Watts, 28V Control with TTL

Electromechanical Relay Switches Technical Data

PE71S6088



Click the following link (or enter part number in "SEARCH" on website) to obtain additional part information including price, inventory and certifications: [SP6T Electromechanical Relay Normally Open Switch DC to 26.5 GHz, SMA, 40 Watts, 28V Control with TTL PE71S6088](#)



SP6T Electromechanical Relay Normally Open Switch DC to 26.5 GHz, SMA, 40 Watts, 28V Control with TTL

Electromechanical Relay Switches Technical Data

PE71S6088

SP6T Electromechanical Relay Normally Open Switch DC to 26.5 GHz, SMA, 40 Watts, 28V Control with TTL from Pasternack Enterprises has same day shipment for domestic and International orders. Our RF, microwave and millimeter wave products maintain a 99% availability and are part of the broadest selection in the industry.

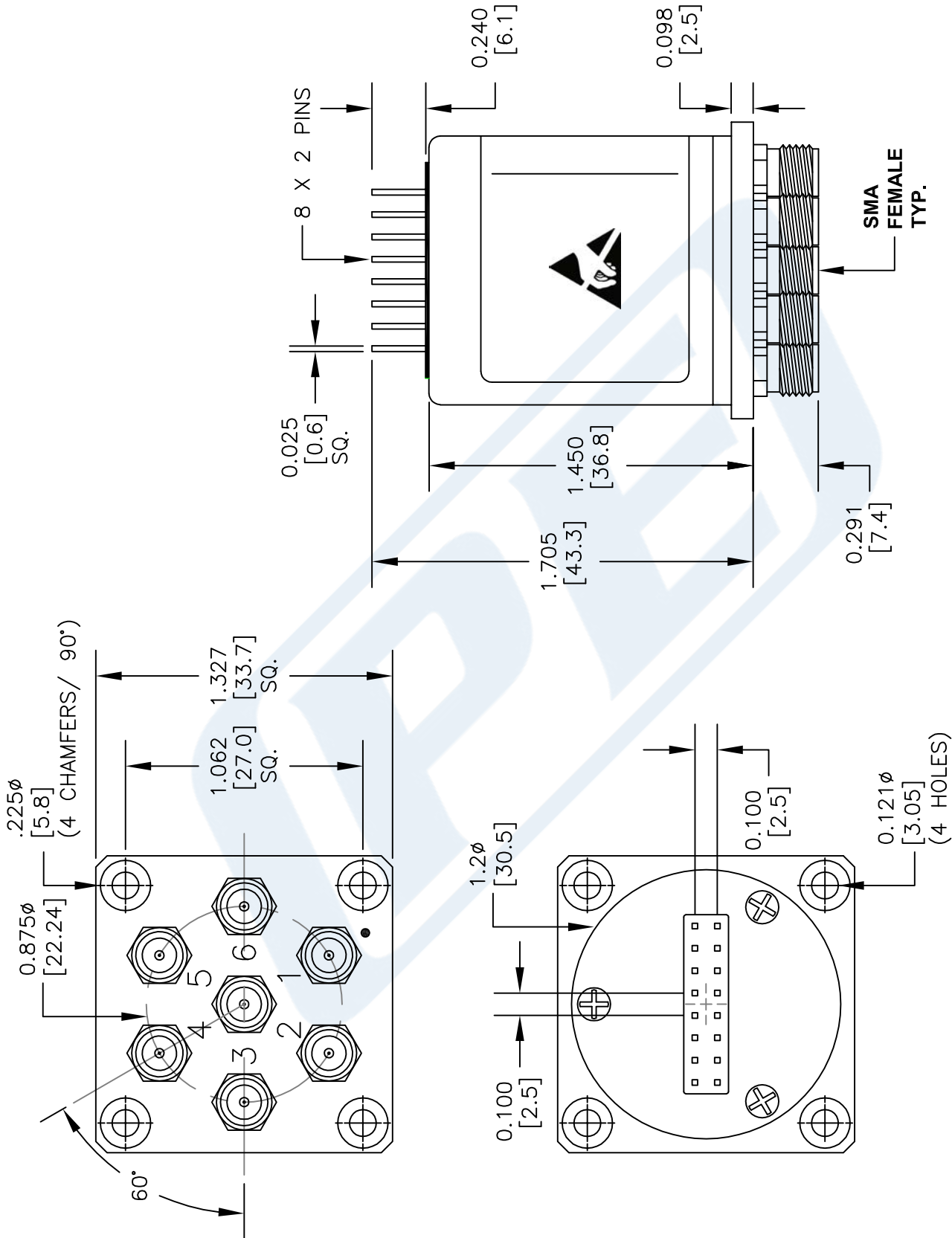
Click the following link (or enter part number in "SEARCH" on website) to obtain additional part information including price, inventory and certifications: [SP6T Electromechanical Relay Normally Open Switch DC to 26.5 GHz, SMA, 40 Watts, 28V Control with TTL PE71S6088](http://www.pasternack.com/sma-sp6t-electromechanical-relay-switch-26.5-ghz-normallyopen-pe71s6088-p.aspx)

URL: <http://www.pasternack.com/sma-sp6t-electromechanical-relay-switch-26.5-ghz-normallyopen-pe71s6088-p.aspx>

The information contained in this document is accurate to the best of our knowledge and representative of the part described herein. It may be necessary to make modifications to the part and/or the documentation of the part, in order to implement improvements. Pasternack reserves the right to make such changes as required. Unless otherwise stated, all specifications are nominal. Pasternack does not make any representation or warranty regarding the suitability of the part described herein for any particular purpose, and Pasternack does not assume any liability arising out of the use of any part or documentation.

PE71S6088 CAD Drawing

SP6T Electromechanical Relay Normally Open Switch DC to 26.5 GHz, SMA, 40 Watts, 28V Control with TTL



NOTES:
 1. UNLESS OTHERWISE SPECIFIED ALL DIMENSIONS ARE NOMINAL.
 2. ALL SPECIFICATIONS ARE SUBJECT TO CHANGE WITHOUT NOTICE AT ANY TIME.
 3. DIMENSIONS ARE IN INCHES (mm).

DWG TITLE
PE71S6088

PE PASTERNAK
 THE ENGINEER'S RF SOURCE
 Pasternack Enterprises, Inc.
 P.O. Box 16759 | Irvine | CA | 92623
 Phone: (949) 261-1920 | Fax: (949) 261-7451
 Website: www.pasternack.com | E-Mail: sales@pasternack.com

FSCM NO. 53919

CAD FILE 122914

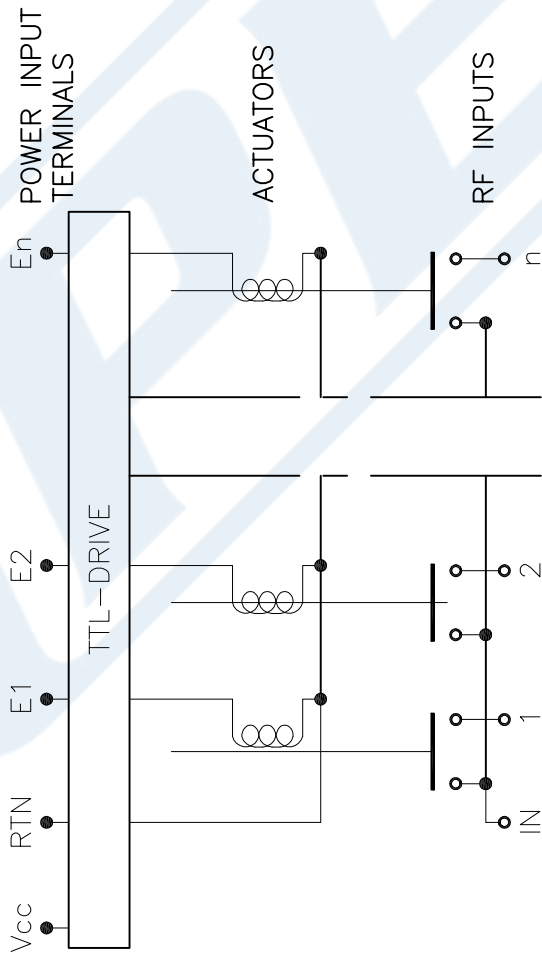
SCALE N/A

SIZE A 150

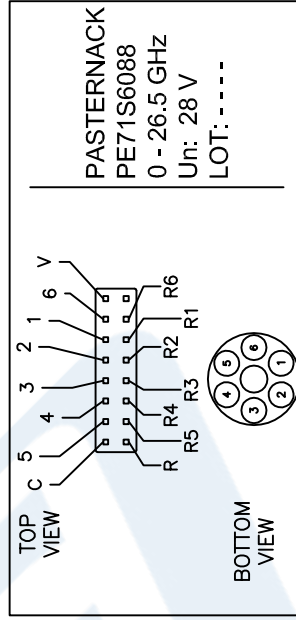
PE71S6088 CAD Drawing

SP6T Electromechanical Relay Normally Open Switch DC to 26.5 GHz, SMA, 40 Watts, 28V Control with TTL

SCHEMATIC DIAGRAM



PIN	Indicator
C	RTN
V	Vcc
1	E1
2	E2
3	E3
4	E4
5	E5
6	E6
R	NC
R1	NC
R2	NC
R3	NC
R4	NC
R5	NC
R6	NC



DWG TITLE

PE71S6088

NOTES:
 1. UNLESS OTHERWISE SPECIFIED ALL DIMENSIONS ARE NOMINAL.
 2. ALL SPECIFICATIONS ARE SUBJECT TO CHANGE WITHOUT NOTICE AT ANY TIME.
 3. DIMENSIONS ARE IN INCHES [mm].

PE PASTERNAK
 THE ENGINEER'S RF SOURCE
 Pasternack Enterprises, Inc.
 P.O. Box 16759 | Irvine | CA | 92623
 Phone: (949) 261-1920 | Fax: (949) 261-7451
 Website: www.pasternack.com | E-Mail: sales@pasternack.com

FSCM NO. 53919

CAD FILE 120214

SCALE N/A

SIZE A

150