



50 Ohm TNC Female to 75 Ohm F Female Matching Pad Operating from DC to 3 GHz RoHS Compliant

Matching Pads Technical Data Sheet

PE7082

Configuration

Design	Fixed Matching Pad
Connector 1	50 Ohms TNC Female
Connector 2	75 Ohms F Female

Electrical Specifications

Description	Minimum	Typical	Maximum	Units
Frequency Range	DC		3	GHz
VSWR			1.25:1	
Attenuation		±0.5	5.7	dB
Input Power (CW)			2	Watts

Electrical Specification Notes:
Impedance Matching Pads are resistive devices and are not designed as DC Pass or DC Block circuits

Mechanical Specifications

Size	
Length	1.96 in [49.78 mm]
Width	0.438 in [11.13 mm]
Weight	0.043 lbs [19.5 g]
Housing Material and Plating	Passivated Stainless Steel

Connectors

Description	Connector 1	Connector 2
Type	TNC Female	F Female
Impedance	50 Ohms	75 Ohms
Inner Conductor Material and Plating	Gold	Nickel
Dielectric Type	PTFE	PTFE
Body Material and Plating	Passivated Stainless Steel	Brass, Nickel

Compliance Certifications (see [product page](#) for current document)

Plotted and Other Data

Notes:

Click the following link (or enter part number in "SEARCH" on website) to obtain additional part information including price, inventory and certifications: [50 Ohm TNC Female to 75 Ohm F Female Matching Pad Operating from DC to 3 GHz RoHS Compliant PE7082](#)



50 Ohm TNC Female to 75 Ohm F Female Matching Pad Operating from DC to 3 GHz RoHS Compliant

Matching Pads Technical Data Sheet

PE7082

50 Ohm TNC Female to 75 Ohm F Female Matching Pad Operating from DC to 3 GHz RoHS Compliant from Pasternack Enterprises has same day shipment for domestic and International orders. Our RF, microwave and millimeter wave products maintain a 99.4% availability and are part of the broadest selection in the industry.

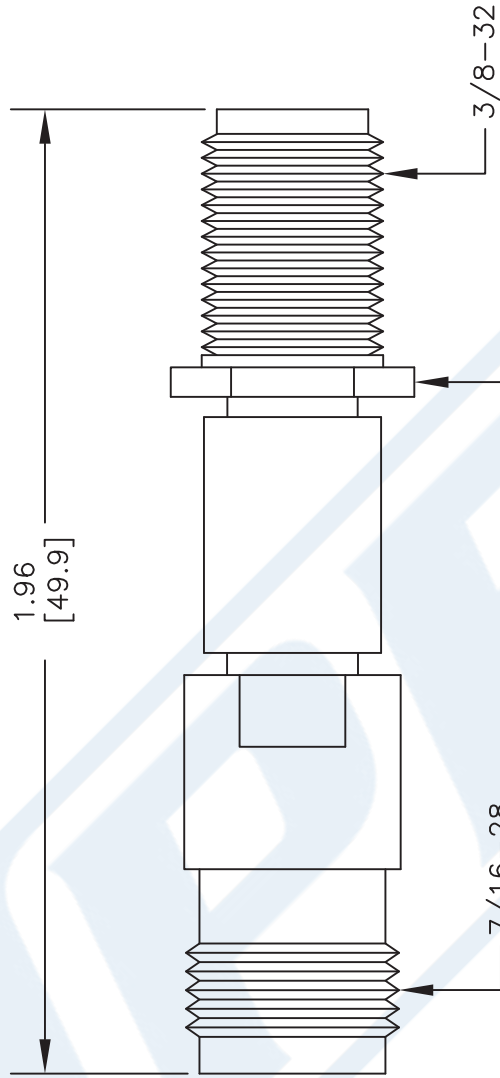
Click the following link (or enter part number in "SEARCH" on website) to obtain additional part information including price, inventory and certifications: [50 Ohm TNC Female to 75 Ohm F Female Matching Pad Operating from DC to 3 GHz RoHS Compliant PE7082](#)

URL: <https://www.pasternack.com/impedance-matching-pad-50-ohm-tnc-female-to-75-ohm-f-female-pe7082-p.aspx>

The information contained in this document is accurate to the best of our knowledge and representative of the part described herein. It may be necessary to make modifications to the part and/or the documentation of the part, in order to implement improvements. Pasternack reserves the right to make such changes as required. Unless otherwise stated, all specifications are nominal. Pasternack does not make any representation or warranty regarding the suitability of the part described herein for any particular purpose, and Pasternack does not assume any liability arising out of the use of any part or documentation.

PE7082 CAD Drawing

50 Ohm TNC Female to 75 Ohm F Female Matching Pad
Operating from DC to 3 GHz RoHS Compliant



NOTES:
1. UNLESS OTHERWISE SPECIFIED ALL DIMENSIONS ARE NOMINAL.
2. ALL SPECIFICATIONS ARE SUBJECT TO CHANGE WITHOUT NOTICE AT ANY TIME.
3. DIMENSIONS ARE IN INCHES [mm].

DWG TITLE
PE7082

FSCM NO. 53919

CAD FILE 020613

SCALE N/A

SIZE A

2233

PE PASTERNAK®
Pasternack Enterprises, Inc.
P.O. Box 16759 | Irvine | CA | 92623
Phone: (949) 261-1920 | Fax: (949) 261-7451
Website: www.pasternack.com | E-Mail: sales@pasternack.com