



## 5 Watt RF Load Up to 40 GHz with 2.92mm Male Black Anodized Aluminum Heatsink

### RF Terminations Technical Data Sheet

PE6TR028

#### Features

- DC to 40 GHz Frequency Range
- VSWR 1.35:1 Max
- Max Power 5 Watts (CW)
- 2.92mm Male Coaxial Interface

#### Applications

- Wireless
- SatCom
- Radar Systems
- Test and Measurement
- Commercial and Military Communication

#### Description

RF termination (also called RF load or dummy load) PE6TR028 from Pasternack operates from DC to 40 GHz and handles up to 5 Watts (CW). This 2.92mm termination (or load) has a male gender. PE6TR028 2.92mm load termination offers 1.35:1 max VSWR. This 5W 2.92mm terminator from Pasternack has a heatsink body which is designed to provide adequate heat dissipation within its full frequency of operation.

RF terminations / loads are critical passive components in many RF, microwave and millimeter wave systems where signal reflection from unused ports can reduce the signal integrity and can potentially damage the device. By terminating an unused port with a matched load (dummy load), the incident energy will be absorbed with minimal reflection. These radio frequency termination components are commonly used to terminate devices such as couplers, circulators, and switches. Loads / terminations are also widely used in measurement systems to ensure accurate results. Pasternack offers a large selection of in-stock RF, microwave and millimeter wave terminations up to 65 GHz with great performance over the entire operating range and with power handling capabilities up to 800 Watts (CW).

#### Electrical Specifications

Description	Minimum	Typical	Maximum	Units
Frequency Range	DC		40	GHz
Impedance		50		Ohms
VSWR			1.35:1	
Input Power (CW) derated linearly to 0.5W at +125°C			5	Watts
Input Power (Peak) 5µs pulse, 1.25% duty cycle			200	Watts

#### Performance by Frequency

Description	F1	F2	F3	F4	F5	Units
Frequency Range	DC to 18	18 to 40				GHz
VSWR, Max	1.2:1	1.35:1				

Click the following link (or enter part number in "SEARCH" on website) to obtain additional part information including price, inventory and certifications: [5 Watt RF Load Up to 40 GHz with 2.92mm Male Black Anodized Aluminum Heatsink PE6TR028](#)



5 Watt RF Load Up to 40 GHz with 2.92mm  
Male Black Anodized Aluminum Heatsink

RF Terminations Technical Data Sheet

PE6TR028

**Mechanical Specifications**

**Size**

Length 1 in [25.4 mm]  
Width 1.5 in [38.1 mm]  
Weight 0.083 lbs [37.65 g]

**Configuration**

Connector 2.92mm Male  
Hex Size 5/16 inch

**Material Specifications**

Description	Material	Plating
Connector 1 Contact	Beryllium Copper	Gold MIL-G-45204
Body	Passivated Stainless Steel	
Coupling Nut	Passivated Stainless Steel	
Housing	Black Anodized Aluminum Heatsink	

**Environmental Specifications**

**Temperature**

Operating Range -55 to +125 deg C

**Compliance Certifications** (see [product page](#) for current document)

**Plotted and Other Data**

Notes:

Click the following link (or enter part number in "SEARCH" on website) to obtain additional part information including price, inventory and certifications: [5 Watt RF Load Up to 40 GHz with 2.92mm Male Black Anodized Aluminum Heatsink PE6TR028](#)



## 5 Watt RF Load Up to 40 GHz with 2.92mm Male Black Anodized Aluminum Heatsink

### RF Terminations Technical Data Sheet

PE6TR028

5 Watt RF Load Up to 40 GHz with 2.92mm Male Black Anodized Aluminum Heatsink from Pasternack Enterprises has same day shipment for domestic and International orders. Our RF, microwave and millimeter wave products maintain a 99.4% availability and are part of the broadest selection in the industry.

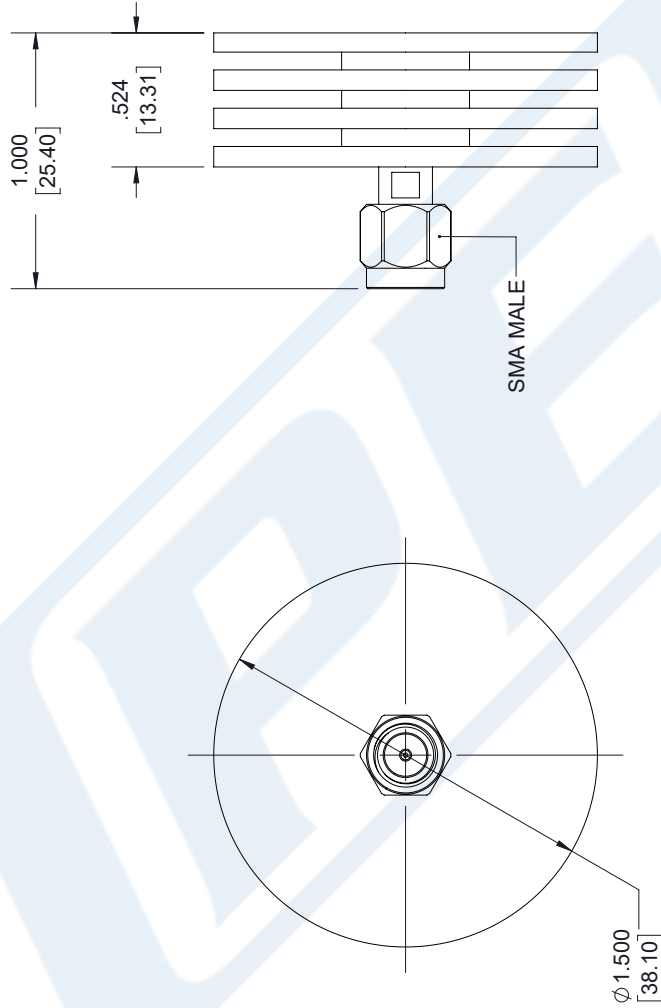
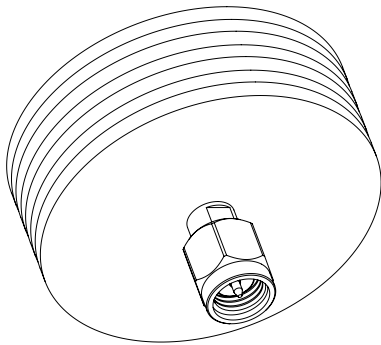
Click the following link (or enter part number in "SEARCH" on website) to obtain additional part information including price, inventory and certifications: [5 Watt RF Load Up to 40 GHz with 2.92mm Male Black Anodized Aluminum Heatsink PE6TR028](https://www.pasternack.com/5-watts-2.92mm-male-rf-load-40-ghz-pe6tr028-p.aspx)

URL: <https://www.pasternack.com/5-watts-2.92mm-male-rf-load-40-ghz-pe6tr028-p.aspx>

The information contained in this document is accurate to the best of our knowledge and representative of the part described herein. It may be necessary to make modifications to the part and/or the documentation of the part, in order to implement improvements. Pasternack reserves the right to make such changes as required. Unless otherwise stated, all specifications are nominal. Pasternack does not make any representation or warranty regarding the suitability of the part described herein for any particular purpose, and Pasternack does not assume any liability arising out of the use of any part or documentation.

# PE6TR028 CAD Drawing

5 Watt RF Load Up to 40 GHz with 2.92mm Male Black Anodized Aluminum Heatsink



### STANDARD TOLERANCES

.X ±0.2  
 .XX ±0.01  
 .XXX ±0.005

\*STANDARD TOLERANCES APPLY ONLY TO DIMENSIONS IN INCHES



Pasternack Enterprises, Inc.  
 P.O. Box 16759 | Irvine | CA | 92623

Phone: (949) 261-1920 | Fax: (949) 261-7451

Website: [www.pasternack.com](http://www.pasternack.com) | E-Mail: [sales@pasternack.com](mailto:sales@pasternack.com)

DWG TITLE

PE6TR028

NOTES:  
 1. UNLESS OTHERWISE SPECIFIED ALL DIMENSIONS ARE NOMINAL.  
 2. ALL SPECIFICATIONS ARE SUBJECT TO CHANGE WITHOUT NOTICE AT ANY TIME.  
 3. DIMENSIONS ARE IN INCHES [mm].

CAGE CODE 53919

CAD FILE 07/10/18

SCALE N/A

SIZE A

7361