



1 Watt RF Load Up to 10 GHz with SMC Jack

RF Terminations Technical Data Sheet

PE6TR005

Electrical Specifications

Description	Minimum	Typical	Maximum	Units
Frequency Range	DC		10	GHz
Impedance		50		Ohms
VSWR			1.35:1	
Input Power (CW)			1	Watts

Mechanical Specifications

Size

Length	0.689 in [17.5 mm]
Width	0.25 in [6.35 mm]
Weight	0.007 lbs [3.18 g]

Configuration

Connector	SMC Jack
-----------	----------

Material Specifications

Description	Material	Plating
Connector 1 Contact	Brass	Gold
Insulation	PTFE	
Body	Brass	Gold

Environmental Specifications

Temperature

Operating Range	-45 to +120 deg C
-----------------	-------------------

Compliance Certifications (see [product page](#) for current document)

Plotted and Other Data

Notes:

Click the following link (or enter part number in "SEARCH" on website) to obtain additional part information including price, inventory and certifications: [1 Watt RF Load Up to 10 GHz with SMC Jack PE6TR005](#)





1 Watt RF Load Up to 10 GHz with SMC Jack

RF Terminations Technical Data Sheet

PE6TR005

1 Watt RF Load Up to 10 GHz with SMC Jack from Pasternack Enterprises has same day shipment for domestic and International orders. Our RF, microwave and millimeter wave products maintain a 99.4% availability and are part of the broadest selection in the industry.

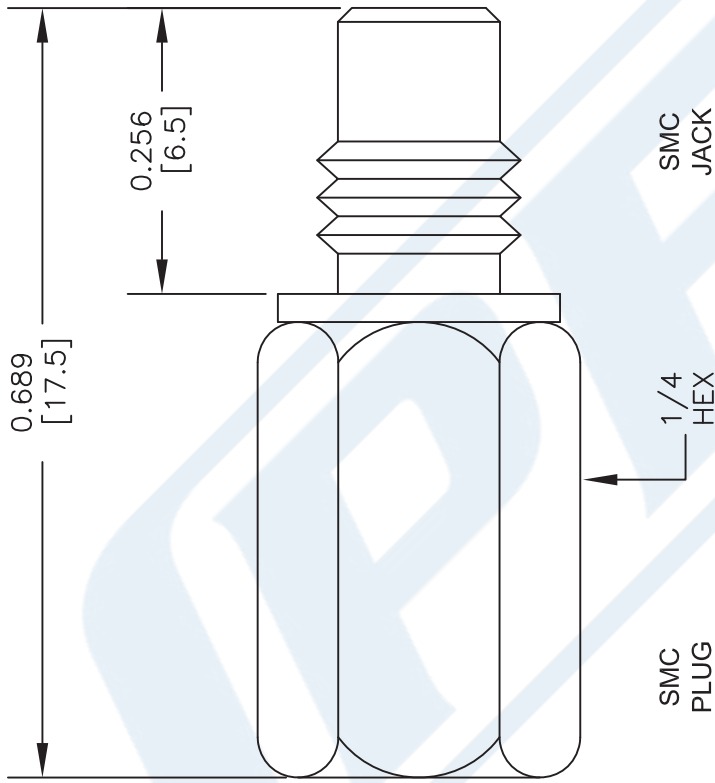
Click the following link (or enter part number in "SEARCH" on website) to obtain additional part information including price, inventory and certifications: [1 Watt RF Load Up to 10 GHz with SMC Jack PE6TR005](https://www.pasternack.com/1-watts-smc-jack-rf-load-10-ghz-pe6tr005-p.aspx)

URL: <https://www.pasternack.com/1-watts-smc-jack-rf-load-10-ghz-pe6tr005-p.aspx>

The information contained in this document is accurate to the best of our knowledge and representative of the part described herein. It may be necessary to make modifications to the part and/or the documentation of the part, in order to implement improvements. Pasternack reserves the right to make such changes as required. Unless otherwise stated, all specifications are nominal. Pasternack does not make any representation or warranty regarding the suitability of the part described herein for any particular purpose, and Pasternack does not assume any liability arising out of the use of any part or documentation.

PE6TR005 CAD Drawing

1 Watt RF Load Up to 10 GHz with SMC Jack



STANDARD TOLERANCES

.X ±0.2
 .XX ±0.1
 .XXX ±0.05

*STANDARD TOLERANCES APPLY ONLY TO DIMENSIONS IN INCHES



Pasternack Enterprises, Inc.
 P.O. Box 16759 | Irvine | CA | 92623
Phone: (949) 261-1920 | **Fax:** (949) 261-7451
Website: www.pasternack.com | **E-Mail:** sales@pasternack.com

DWG TITLE

PE6TR005

NOTES:
 1. UNLESS OTHERWISE SPECIFIED ALL DIMENSIONS ARE NOMINAL.
 2. ALL SPECIFICATIONS ARE SUBJECT TO CHANGE WITHOUT NOTICE AT ANY TIME.
 3. DIMENSIONS ARE IN INCHES [mm].

CAGE CODE 53919

CAD FILE 103116

SCALE N/A

SIZE A

2233