



2 Watt Feed-Thru Load Up to 1,000 MHz with BNC Male to Female Tri-Metal Plated Brass

RF Terminations Technical Data Sheet

PE6TR000

Features

- DC to 1,000 MHz Frequency Range
- VSWR 1.3:1 Max
- Max Power 2 Watts (CW)
- BNC Male to Female Coaxial Interface

Applications

- Wireless
- SatCom
- Radar Systems
- Test and Measurement
- Commercial and Military Communication

Description

RF feed-thru termination (also called RF feed-thru load) PE6TR000 from Pasternack operates from DC to 1,000 MHz and handles up to 2 Watts (CW). PE6TR000 BNC feed-thru load termination offers 1.3:1 max VSWR. This feed-thru BNC male to BNC female load is designed to be used with oscilloscopes and other test equipment to match to the 50 Ohm device under test (DUT).

RF terminations / loads are critical passive components in many RF, microwave and millimeter wave systems where signal reflection from unused ports can reduce the signal integrity and can potentially damage the device. By terminating an unused port with a matched load (dummy load), the incident energy will be absorbed with minimal reflection. These radio frequency termination components are commonly used to terminate devices such as couplers, circulators, and switches. Loads / terminations are also widely used in measurement systems to ensure accurate results. Pasternack offers a large selection of in-stock RF, microwave and millimeter wave terminations up to 65 GHz with great performance over the entire operating range and with power handling capabilities up to 800 Watts (CW).

Electrical Specifications

Description	Minimum	Typical	Maximum	Units
Frequency Range	DC		1,000	MHz
Impedance		50		Ohms
VSWR			1.3:1	
Input Power (CW)			2	Watts

Performance by Frequency

Description	F1	F2	F3	F4	F5	Units
Frequency Range	DC to 0.1	0.1 to 0.5	0.5 to 1			GHz
VSWR, Max	1.1:1	1.25:1	1.3:1			

Click the following link (or enter part number in "SEARCH" on website) to obtain additional part information including price, inventory and certifications: [2 Watt Feed-Thru Load Up to 1,000 MHz with BNC Male to Female Tri-Metal Plated Brass PE6TR000](#)



2 Watt Feed-Thru Load Up to 1,000 MHz with
BNC Male to Female Tri-Metal Plated Brass

RF Terminations Technical Data Sheet

PE6TR000

Mechanical Specifications

Size

Length 1.77 in [44.96 mm]
Width 0.57 in [14.48 mm]

Configuration

Connector 1 BNC Male
Connector 2 BNC Female

Material Specifications

Description	Material	Plating
Connector 1 Contact	Phosphor Bronze	Gold over Nickel 20 μ-in./50 μ-in.
Connector 2 Contact	Phosphor Bronze	Gold over Nickel 20 μ-in./50 μ-in.
Insulation	PTFE	
Body	Brass	Tri-Metal 100 μ-in.
Coupling Nut	Brass	Tri-Metal 100 μ-in.
Housing	Brass	Tri-Metal 100 μ-in.

Compliance Certifications (see [product page](#) for current document)

Plotted and Other Data

Notes:

Click the following link (or enter part number in "SEARCH" on website) to obtain additional part information including price, inventory and certifications: [2 Watt Feed-Thru Load Up to 1,000 MHz with BNC Male to Female Tri-Metal Plated Brass PE6TR000](#)



2 Watt Feed-Thru Load Up to 1,000 MHz with BNC Male to Female Tri-Metal Plated Brass

RF Terminations Technical Data Sheet

PE6TR000

2 Watt Feed-Thru Load Up to 1,000 MHz with BNC Male to Female Tri-Metal Plated Brass from Pasternack Enterprises has same day shipment for domestic and International orders. Our RF, microwave and millimeter wave products maintain a 99.4% availability and are part of the broadest selection in the industry.

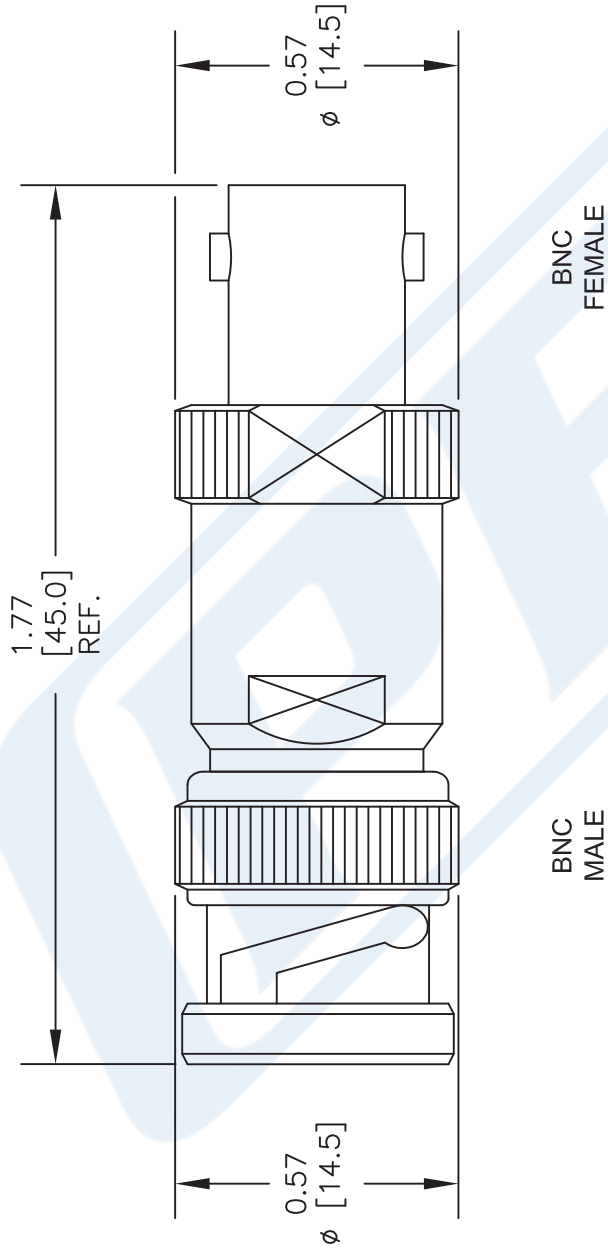
Click the following link (or enter part number in "SEARCH" on website) to obtain additional part information including price, inventory and certifications: [2 Watt Feed-Thru Load Up to 1,000 MHz with BNC Male to Female Tri-Metal Plated Brass PE6TR000](https://www.pasternack.com/2-watts-bnc-male-feed-thru-load-1000-mhz-pe6tr000-p.aspx)

URL: <https://www.pasternack.com/2-watts-bnc-male-feed-thru-load-1000-mhz-pe6tr000-p.aspx>

The information contained in this document is accurate to the best of our knowledge and representative of the part described herein. It may be necessary to make modifications to the part and/or the documentation of the part, in order to implement improvements. Pasternack reserves the right to make such changes as required. Unless otherwise stated, all specifications are nominal. Pasternack does not make any representation or warranty regarding the suitability of the part described herein for any particular purpose, and Pasternack does not assume any liability arising out of the use of any part or documentation.

PE6TR000 CAD Drawing

2 Watt Feed-Thru Load Up to 1,000 MHz with BNC Male to Female Tri-Metal Plated Brass



STANDARD TOLERANCES

- .X ±0.2
- .XX ±0.1
- .XXX ±0.05

*STANDARD TOLERANCES APPLY ONLY TO DIMENSIONS IN INCHES



Pasternack Enterprises, Inc.
 P.O. Box 16759 | Irvine | CA | 92623
Phone: (949) 261-1920 | **Fax:** (949) 261-7451
Website: www.pasternack.com | **E-Mail:** sales@pasternack.com

DWG TITLE

PE6TR000

NOTES:
 1. UNLESS OTHERWISE SPECIFIED ALL DIMENSIONS ARE NOMINAL.
 2. ALL SPECIFICATIONS ARE SUBJECT TO CHANGE WITHOUT NOTICE AT ANY TIME.
 3. DIMENSIONS ARE IN INCHES [mm].

CAGE CODE **53919**

CAD FILE 022217

SCALE N/A

SIZE A

2233