



**0.5 Watts Low Power Precision WR-42 RF
Load 18 GHz to 26.5 GHz**

TECHNICAL DATA SHEET

PE6811

0.5 Watts Low Power Precision WR-42 RF Load 18 GHz to 26.5 GHz

Configuration

RF Load Design	Precision
Connector	WR-42
Heat Sink	Aluminum

Electrical Specifications

Frequency Range, GHz	18 to 26.5
Impedance, Ohms	50
Maximum VSWR	1.05:1
Maximum Input Power, Watts	0.5

Mechanical Specifications

Size

Length, in [mm]	2.755 [69.98]
Width/Dia., in [mm]	0.875 [22.23]
Height, in [mm]	0.875 [22.23]

Color Blue

Connector

Type WR-42

Compliance Certifications (visit www.Pasternack.com for current document)

Plotted and Other Data

Notes: Values at 25 °C, sea level

0.5 Watts Low Power Precision WR-42 RF Load 18 GHz to 26.5 GHz from Pasternack Enterprises has same day shipment for domestic and International orders. Our RF, microwave and fiber optic products maintain a 99% availability and are part of the broadest selection in the industry.

Click the following link (or enter part number in "SEARCH" on website) to obtain additional part information including price, inventory and certifications: [0.5 Watts Low Power Precision WR-42 RF Load 18 GHz to 26.5 GHz PE6811](http://www.pasternack.com/precision-waveguide-termination-frequency-range-1800-2650-ghz-pe6811-p.aspx)

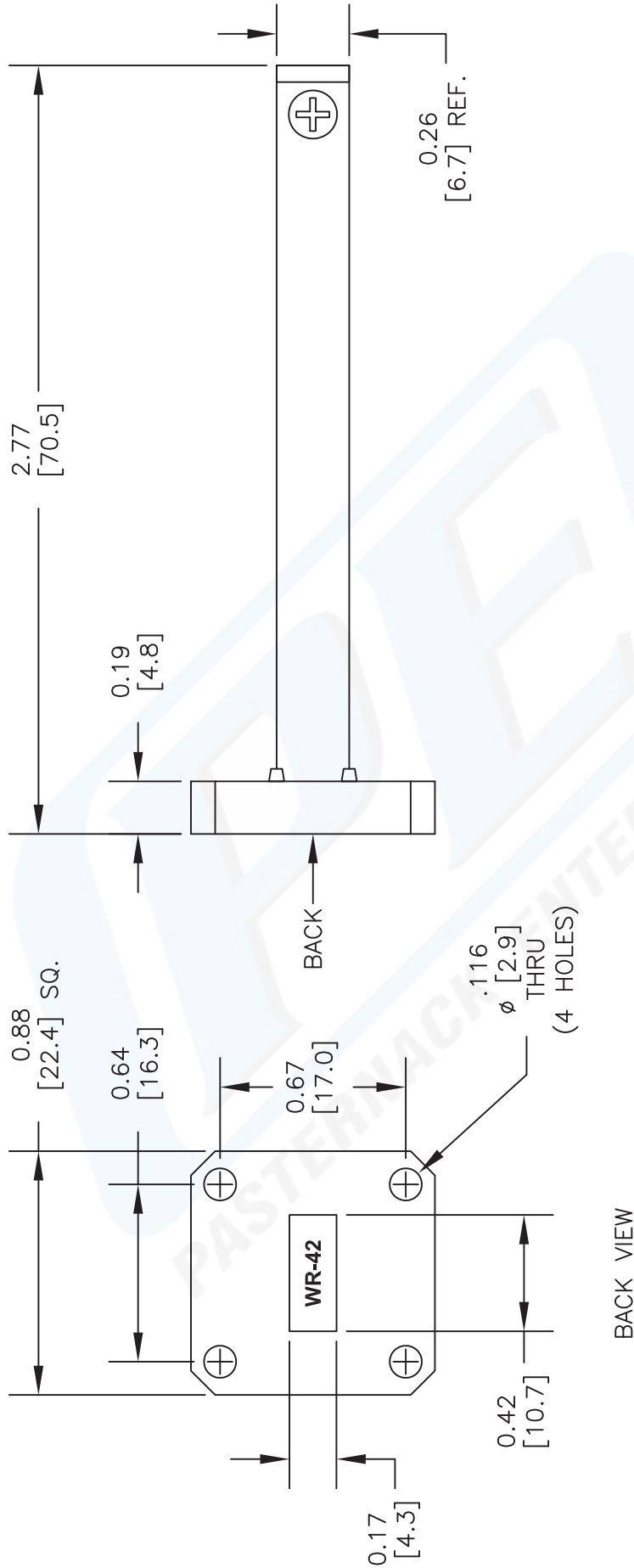
URL: <http://www.pasternack.com/precision-waveguide-termination-frequency-range-1800-2650-ghz-pe6811-p.aspx>

The information contained in this document is accurate to the best of our knowledge and representative of the part described herein. It may be necessary to make modifications to the part and/or the documentation of the part, in order to implement improvements. Pasternack reserves the right to make such changes as required. Unless otherwise stated, all specifications are nominal.



PE6811 CAD Drawing

0.5 Watts Low Power Precision WR-42 RF Load 18 GHz to 26.5 GHz



DWG TITLE

PE6811

NOTES:
 1. UNLESS OTHERWISE SPECIFIED ALL DIMENSIONS ARE NOMINAL.
 2. ALL SPECIFICATIONS ARE SUBJECT TO CHANGE WITHOUT NOTICE AT ANY TIME.
 3. DIMENSIONS ARE IN INCHES [mm].

REV. B

FSCM NO. 53919

CAD FILE 061912

SCALE N/A

SIZE A

2233

PASTERNAK ENTERPRISES, INC.

P.O. BOX 16759, IRVINE, CA 92623
 PHONE (949) 261-1920 FAX (949) 261-7451

WEB ADDRESS: www.pasternack.com
 E-MAIL ADDRESS: sales@pasternack.com

COAXIAL & FIBER OPTICS

