



1 Watts WR-51 RF Load Up To 18 GHz

TECHNICAL DATA SHEET

PE6803

1 Watts WR-51 RF Load Up To 18 GHz

Configuration

Connector	WR-51
Heat Sink	Aluminum

Electrical Specifications

Frequency Range, GHz	15 to 18
Impedance, Ohms	50
Maximum VSWR	1.2:1
Maximum Input Power, Watts	1

Mechanical Specifications

Size

Length, in [mm]	1 [25.4]
Width/Dia., in [mm]	1.31 [33.27]
Height, in [mm]	1.31 [33.27]

Connector

Type	WR-51
------	-------

Compliance Certifications (visit www.Pasternack.com for current document)

Plotted and Other Data

Notes:	Values at 25 °C, sea level
--------	----------------------------

1 Watts WR-51 RF Load Up To 18 GHz from Pasternack Enterprises has same day shipment for domestic and International orders. Our RF, microwave and fiber optic products maintain a 99% availability and are part of the broadest selection in the industry.

Click the following link (or enter part number in "SEARCH" on website) to obtain additional part information including price, inventory and certifications: [1 Watts WR-51 RF Load Up To 18 GHz PE6803](http://www.pasternack.com/waveguide-termination-frequency-range-1500-2200-ghz-pe6803-p.aspx)

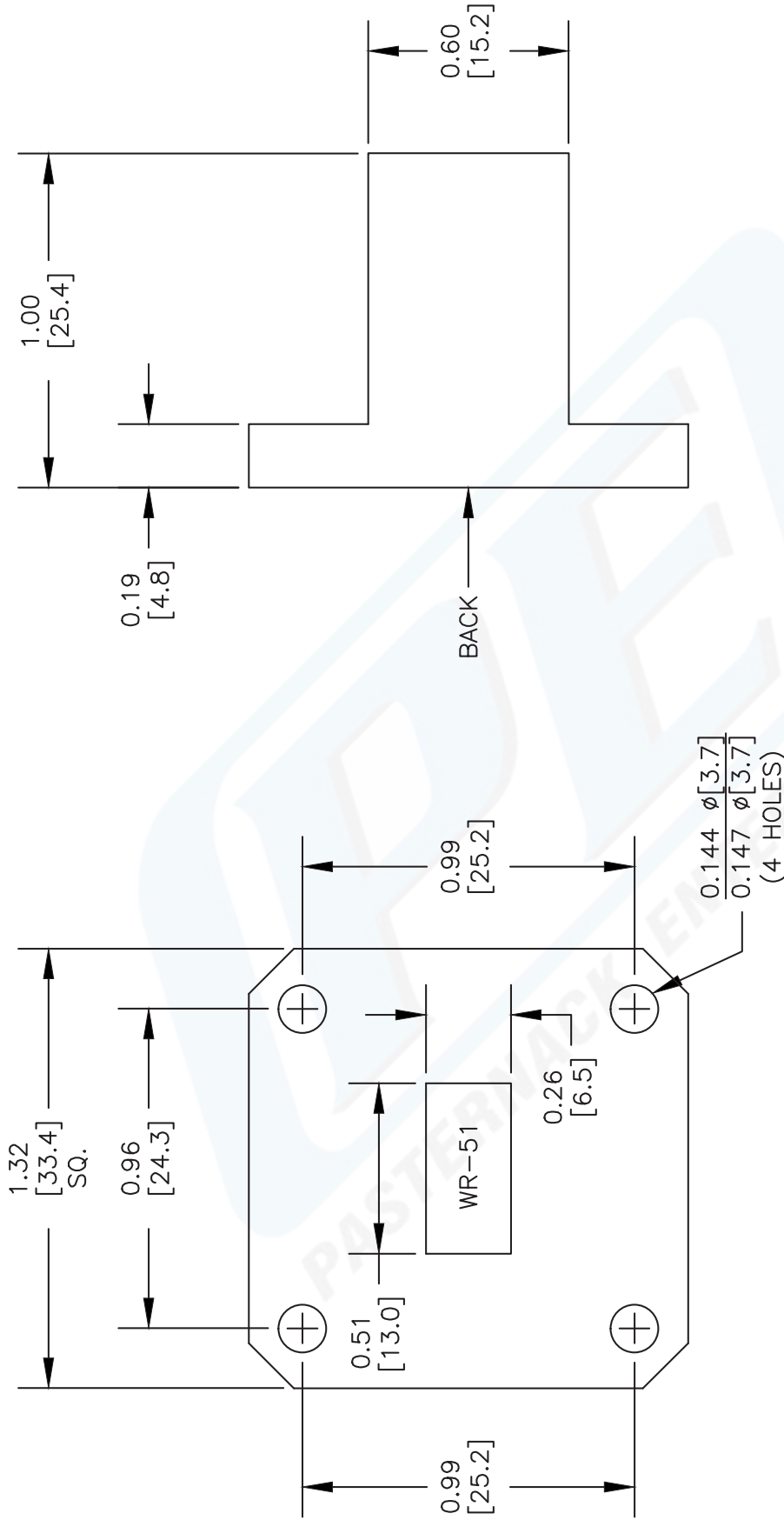
URL: <http://www.pasternack.com/waveguide-termination-frequency-range-1500-2200-ghz-pe6803-p.aspx>

The information contained in this document is accurate to the best of our knowledge and representative of the part described herein. It may be necessary to make modifications to the part and/or the documentation of the part, in order to implement improvements. Pasternack reserves the right to make such changes as required. Unless otherwise stated, all specifications are nominal.



PE6803 CAD Drawing

1 Watts WR-51 RF Load Up To 18 GHz



BACK VIEW

DWG TITLE

PE6803

NOTES:
 1. UNLESS OTHERWISE SPECIFIED ALL DIMENSIONS ARE NOMINAL.
 2. ALL SPECIFICATIONS ARE SUBJECT TO CHANGE WITHOUT NOTICE AT ANY TIME.
 3. DIMENSIONS ARE IN INCHES [mm].

FSCM NO. 53919

CAD FILE 012208

SCALE N/A

SIZE A

127



PASTERNAK®
 Pasternack Enterprises, Inc.
 P.O. Box 16759 | Irvine | CA | 92623
 Phone: (949) 261-1920 | Fax: (949) 261-7451
 Website: www.pasternack.com | E-Mail: sales@pasternack.com