



1 Watt RF Load Up to 6 GHz With Reverse Polarity SMA Male Input Tri-Metal Plated Brass

RF Terminations Technical Data Sheet

PE6241

Features

- DC to 6 GHz Frequency Range
- VSWR 1.2:1 Max
- Max Power 1 Watt (CW)
- Reverse Polarity SMA Male Coaxial Interface

Applications

- Wireless
- SatCom
- Radar Systems
- Test and Measurement
- Commercial and Military Communication

Description

Pasternack's PE6241 is an RF termination (also called RF load or dummy load) that operates from DC to 6 GHz and handles up to 1 Watt (CW). Our Reverse Polarity SMA termination / load has a male gender. PE6241 Reverse Polarity SMA load termination offers 1.2:1 max VSWR.

RF load / terminations are indispensable components in many RF, microwave and millimeter wave systems where signal reflection from unused ports can potentially damage the device or reduce the signal integrity. By using a terminator on an unused port with a matched load (dummy load), the incident energy will be absorbed with minimal reflection. These termination components are commonly used to terminate devices such as couplers, circulators, and switches. They are also widely used in measurement systems to ensure accurate results. Pasternack offers a huge selection of RF, microwave and millimeter wave terminations up to 65 GHz with excellent performance over the entire operating range and power handling capabilities up to 800 Watt (CW).

Electrical Specifications

Description	Minimum	Typical	Maximum	Units
Frequency Range	DC		6	GHz
Impedance		50		Ohms
VSWR			1.2:1	
Input Power (CW)			1	Watts

Performance by Frequency

Description	F1	F2	F3	F4	F5	Units
Frequency Range	DC to 3	3 to 6				GHz
VSWR, Max	1.15:1	1.2:1				

Mechanical Specifications

Size

Length 0.59 in [14.99 mm]
 Width 0.315 in [8 mm]

Click the following link (or enter part number in "SEARCH" on website) to obtain additional part information including price, inventory and certifications: [1 Watt RF Load Up to 6 GHz With Reverse Polarity SMA Male Input Tri-Metal Plated Brass PE6241](#)





1 Watt RF Load Up to 6 GHz With Reverse Polarity
SMA Male Input Tri-Metal Plated Brass

RF Terminations Technical Data Sheet

PE6241

Weight 0.008 lbs [3.63 g]

Configuration

Connector SMA Male Reverse Polarity
Hex Size 5/16 inch
Mating Torque 5 in-lbs [0.57 Nm]

Material Specifications

Description	Material	Plating
Connector 1 Contact	Beryllium Copper	Gold
Insulation	PTFE	
Body	Brass	Tri-Metal
Coupling Nut	Brass	Tri-Metal
Housing	Brass	Tri-Metal

Environmental Specifications

Temperature

Operating Range -45 to +120 deg C

Compliance Certifications (visit www.Pasternack.com for current document)

RoHS Compliant
REACH Compliant 12/17/2015

Plotted and Other Data

Notes:

Click the following link (or enter part number in "SEARCH" on website) to obtain additional part information including price, inventory and certifications: [1 Watt RF Load Up to 6 GHz With Reverse Polarity SMA Male Input Tri-Metal Plated Brass PE6241](#)





1 Watt RF Load Up to 6 GHz With Reverse Polarity SMA Male Input Tri-Metal Plated Brass

RF Terminations Technical Data Sheet

PE6241

1 Watt RF Load Up to 6 GHz With Reverse Polarity SMA Male Input Tri-Metal Plated Brass from Pasternack Enterprises has same day shipment for domestic and International orders. Our RF, microwave and millimeter wave products maintain a 99% availability and are part of the broadest selection in the industry.

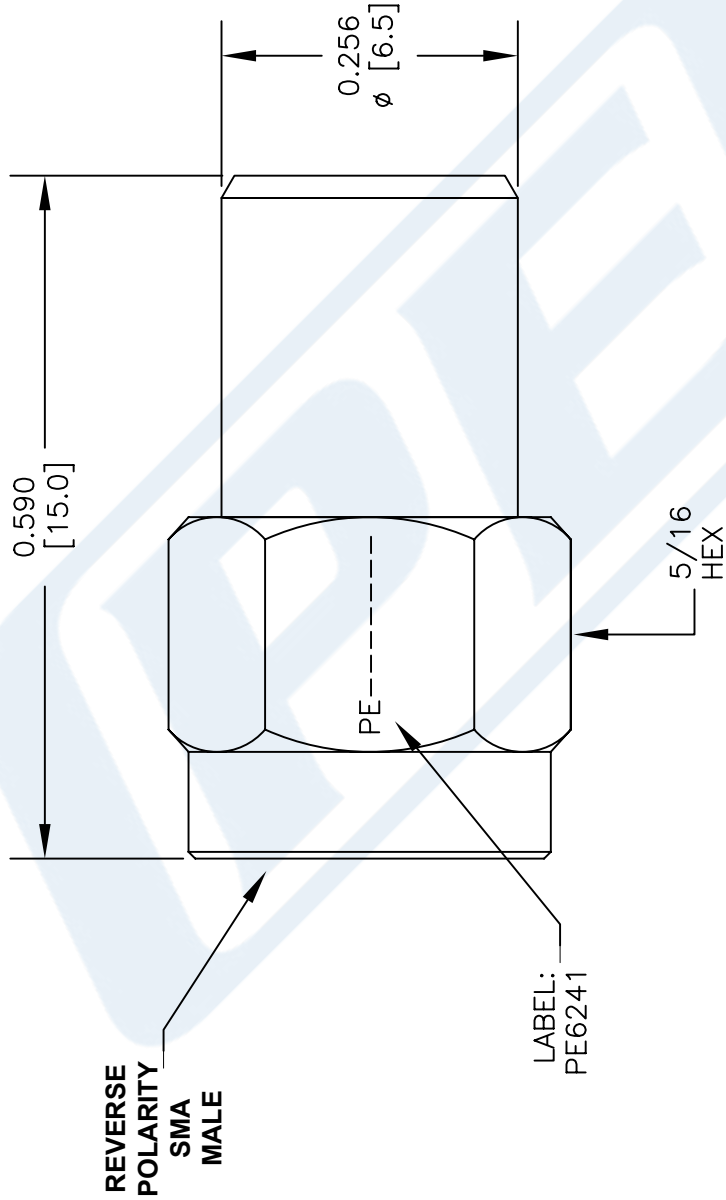
Click the following link (or enter part number in "SEARCH" on website) to obtain additional part information including price, inventory and certifications: [1 Watt RF Load Up to 6 GHz With Reverse Polarity SMA Male Input Tri-Metal Plated Brass PE6241](http://www.pasternack.com/1-watts-reverse-polarity-sma-male-rf-load-up-to-6-ghz-pe6241-p.aspx)

URL: <http://www.pasternack.com/1-watts-reverse-polarity-sma-male-rf-load-up-to-6-ghz-pe6241-p.aspx>

The information contained in this document is accurate to the best of our knowledge and representative of the part described herein. It may be necessary to make modifications to the part and/or the documentation of the part, in order to implement improvements. Pasternack reserves the right to make such changes as required. Unless otherwise stated, all specifications are nominal. Pasternack does not make any representation or warranty regarding the suitability of the part described herein for any particular purpose, and Pasternack does not assume any liability arising out of the use of any part or documentation.

PE6241 CAD Drawing

1 Watt RF Load Up to 6 GHz With Reverse Polarity SMA Male Input Tri-Metal Plated Brass



STANDARD TOLERANCES

DECIMAL	±0.20
.XX	±0.10
.XXX	

*STANDARD TOLERANCES APPLY ONLY TO DIMENSIONS IN INCHES

PE PASTERNAK®
 THE ENGINEER'S RF SOURCE
 Pasternack Enterprises, Inc.
 P.O. Box 16759 | Irvine | CA | 92623
 Phone: (949) 261-1920 | Fax: (949) 261-7451
 Website: www.pasternack.com | E-Mail: sales@pasternack.com

DWG TITLE
PE6241

NOTES:
 1. UNLESS OTHERWISE SPECIFIED ALL DIMENSIONS ARE NOMINAL.
 2. ALL SPECIFICATIONS ARE SUBJECT TO CHANGE WITHOUT NOTICE AT ANY TIME.
 3. DIMENSIONS ARE IN INCHES [mm].

FSCM NO. 53919

CAD FILE 042314

SCALE N/A

SIZE A