



## F Male Non-Shorting Dust Cap

### Shorts and Caps Technical Data Sheet

PE6240

#### Features

- Protects against dust and contaminants
- Protects against physical damage
- Nickel Plated Body

#### Applications

- General Purpose Laboratory Use
- Test and Measurement

#### Description

Pasternack's PE6240 connector dust cap has an F interface and a male gender. Our F male dust cap is a non-shorting design with a nickel plated body to ensure durability. The Pasternack non-shorting F connector cap is part of over 40,000 RF, microwave and millimeter wave products that ship the same day.

RF connector dust caps are essential for precision connectors, protecting them from dust, corrosion and potential damage especially to test and measurement equipment. Specific RF connector cap models come with a chain to prevent loss or misplacement. Internal short connector cap versions are available to protect equipment from a spike in current caused by electrostatic discharge (ESD).

#### Mechanical Specifications

##### Configuration

Connector	F Male Non-Shorting
Hex Size	7/16 inch

Description	Material	Plating
Body	Brass	Nickel
Gasket	Silicone Rubber	

##### Size

Length	0.33 in [8.38 mm]
Width	0.43 in [10.92 mm]
Weight	0.0455 lbs [20.64 g]

#### Compliance Certifications (visit [www.Pasternack.com](http://www.Pasternack.com) for current document)

Not RoHS Compliant

Click the following link (or enter part number in "SEARCH" on website) to obtain additional part information including price, inventory and certifications: [F Male Non-Shorting Dust Cap PE6240](#)



## F Male Non-Shorting Dust Cap

### Shorts and Caps Technical Data Sheet

PE6240

#### Plotted and Other Data

Notes:

F Male Non-Shorting Dust Cap from Pasternack Enterprises has same day shipment for domestic and International orders. Our RF, microwave and millimeter wave products maintain a 99% availability and are part of the broadest selection in the industry.

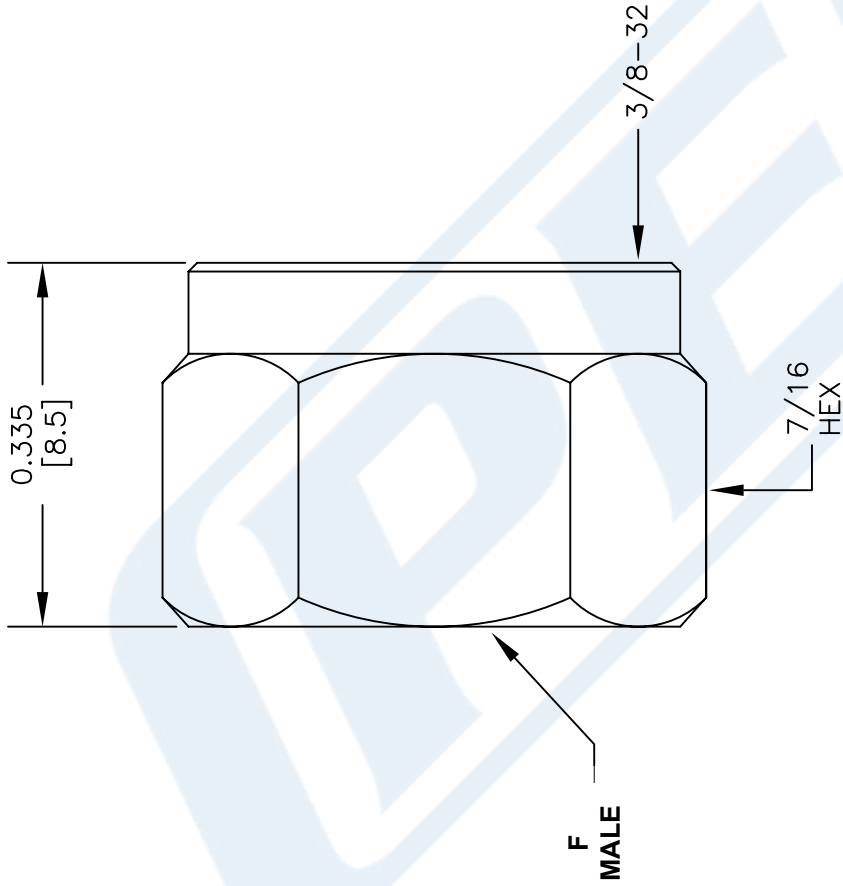
Click the following link (or enter part number in "SEARCH" on website) to obtain additional part information including price, inventory and certifications: [F Male Non-Shorting Dust Cap PE6240](#)

URL: <https://www.pasternack.com/non-shorting-f-male-dust-cap-pe6240-p.aspx>

The information contained in this document is accurate to the best of our knowledge and representative of the part described herein. It may be necessary to make modifications to the part and/or the documentation of the part, in order to implement improvements. Pasternack reserves the right to make such changes as required. Unless otherwise stated, all specifications are nominal. Pasternack does not make any representation or warranty regarding the suitability of the part described herein for any particular purpose, and Pasternack does not assume any liability arising out of the use of any part or documentation.

# PE6240 CAD Drawing

## F Male Non-Shorting Dust Cap



### STANDARD TOLERANCES

.X ±0.2  
.XX ±0.1  
.XXX ±0.05

\*STANDARD TOLERANCES APPLY  
ONLY TO DIMENSIONS IN INCHES



**THE ENGINEER'S RF SOURCE**  
Pasternack Enterprises, Inc.  
P.O. Box 16759 | Irvine | CA | 92623

Phone: (949) 261-1920 | Fax: (949) 261-7451

Website: [www.pasternack.com](http://www.pasternack.com) | E-Mail: [sales@pasternack.com](mailto:sales@pasternack.com)

DWG TITLE

**PE6240**

FSCM NO. 53919

NOTES:

1. UNLESS OTHERWISE SPECIFIED ALL DIMENSIONS ARE NOMINAL.
2. ALL SPECIFICATIONS ARE SUBJECT TO CHANGE WITHOUT NOTICE AT ANY TIME.
3. DIMENSIONS ARE IN INCHES [mm].

CAD FILE 051716

SCALE N/A

SIZE A

3045