



Medium Power 25 Watts RF Load Up To 8 GHz With 7/16 DIN Female Input Round Body Black Anodized Aluminum Heatsink

TECHNICAL DATA SHEET

PE6210

Configuration

Connector	7/16 DIN Female
Connector Specification	MIL-STD-348
Heat Sink	Black Anodized Aluminum Heatsink
Connection Method	Standard
Body Style	Straight

Electrical Specifications

Frequency Range, GHz	DC to 8
Impedance, Ohms	50
Maximum VSWR	1.6:1
Maximum Input Power, Watts	25
Peak Power, Watts	500

Frequency 1

Frequency, GHz	DC to 6
VSWR	1.3:1

Frequency 2

Frequency, GHz	6 to 12.4
VSWR	1.45:1

Frequency 3

Frequency, GHz	12.4 to 18
VSWR	1.6:1

Mechanical Specifications

Temperature

Operating Range, deg C	-65 to +125
------------------------	-------------

Size

Length, in [mm]	3.9 [99.06]
Width/Dia., in [mm]	2.3 [58.42]
Color	Black

Connector

Type	7/16 DIN Female
Inner Conductor Material and Plating	Brass, Silver
Outer Conductor Material and Plating	Brass, Silver
Body Material and Plating	Brass, Silver
Dielectric Type	PTFE

Compliance Certifications (visit www.Pasternack.com for current document)

RoHS Compliant	Yes
----------------	-----

Click the following link (or enter part number in "SEARCH" on website) to obtain additional part information including price, inventory and certifications: [Medium Power 25 Watts RF Load Up To 8 GHz With 7/16 DIN Female Input Round Body Black Anodized Aluminum Heatsink PE6210](#)

The information contained in this document is accurate to the best of our knowledge and representative of the part described herein. It may be necessary to make modifications to the part and/or the documentation of the part, in order to implement improvements. Pasternack reserves the right to make such changes as required. Unless otherwise stated, all specifications are nominal.





Medium Power 25 Watts RF Load Up To 8 GHz With 7/16 DIN
Female Input Round Body Black Anodized Aluminum Heatsink

TECHNICAL DATA SHEET

PE6210

Plotted and Other Data

Notes:

Values at 25 °C, sea level

Medium Power 25 Watts RF Load Up To 8 GHz With 7/16 DIN Female Input Round Body Black Anodized Aluminum Heatsink from Pasternack Enterprises has same day shipment for domestic and International orders. Our RF, microwave and fiber optic products maintain a 99% availability and are part of the broadest selection in the industry.

Click the following link (or enter part number in "SEARCH" on website) to obtain additional part information including price, inventory and certifications: [Medium Power 25 Watts RF Load Up To 8 GHz With 7/16 DIN Female Input Round Body Black Anodized Aluminum Heatsink PE6210](http://www.pasternack.com/25-watts-7-16-female-rf-load-up-to-8-ghz-pe6210-p.aspx)

URL: <http://www.pasternack.com/25-watts-7-16-female-rf-load-up-to-8-ghz-pe6210-p.aspx>

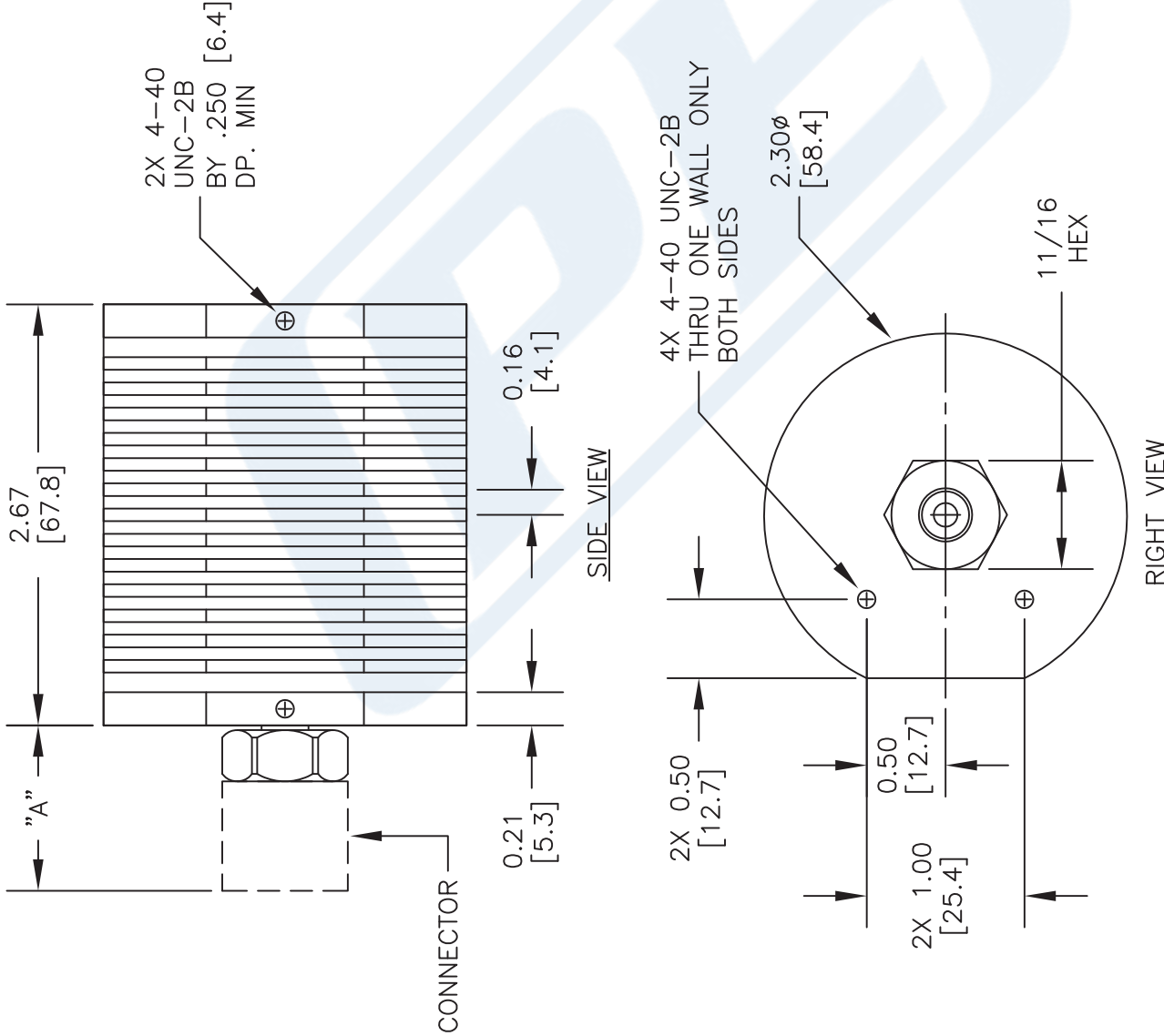
The information contained in this document is accurate to the best of our knowledge and representative of the part described herein. It may be necessary to make modifications to the part and/or the documentation of the part, in order to implement improvements. Pasternack reserves the right to make such changes as required. Unless otherwise stated, all specifications are nominal.



PE6210 CAD Drawing

Medium Power 25 Watts RF Load Up To 8 GHz With 7/16 DIN
Female Input Round Body Black Anodized Aluminum Heatsink

Table of Information		Part Number Configuration	
Connector Type	DIM "A" (REF.)	PN	Connector
SMA Male	0.68	PE6203	SMA Male
SMA Female	0.54	PE6204	SMA Female
N Male	0.98	PE6205	N Male
N Female	0.95	PE6206	N Female
TNC Male	0.98	PE6207	TNC Male
TNC Female	0.94	PE6208	TNC Female
7/16 Male	1.12	PE6209	7/16 Male
7/16 Female	1.16	PE6210	7/16 Female



NOTES:
1. UNLESS OTHERWISE SPECIFIED ALL DIMENSIONS ARE NOMINAL.
2. ALL SPECIFICATIONS ARE SUBJECT TO CHANGE WITHOUT NOTICE AT ANY TIME.
3. DIMENSIONS ARE IN INCHES [mm].

DWG TITLE
PE62xx

FSCM NO. 53919

CAD FILE 080213

SCALE N/A

SIZE A

2233

PE PASTERNAK®
Pasternack Enterprises, Inc.
P.O. Box 16759 | Irvine | CA | 92623
Phone: (949) 261-1920 | Fax: (949) 261-7451
Website: www.pasternack.com | E-Mail: sales@pasternack.com