



High Power 100 Watt RF Load Up to 3 GHz With 7/16 DIN Male Input Conduction Cooled Body Black Anodized Aluminum Heatsink

RF Terminations Technical Data Sheet

PE6197

Features

- High Power RF Load
- DC to 3 GHz Frequency Range
- VSWR 1.2:1 Max
- Max Power 100 Watt (CW)
- 7/16 DIN Male Coaxial Interface

Applications

- Wireless
- Radar Systems
- Test and Measurement
- Commercial and Military Communication
- SatCom

Description

Pasternack's PE6197 is a high power RF termination (also called RF load or dummy load) that operates from DC to 3 GHz and handles up to 100 Watt (CW). Our 7/16 DIN termination / load has a male gender. PE6197 7/16 DIN load termination offers 1.2:1 max VSWR. This Pasternack high power 100W 7/16 DIN terminator has a heatsink body which is designed to provide adequate heat dissipation within its full frequency of operation.

RF load / terminations are indispensable components in many RF, microwave and millimeter wave systems where signal reflection from unused ports can potentially damage the device or reduce the signal integrity. By using a terminator on an unused port with a matched load (dummy load), the incident energy will be absorbed with minimal reflection. These termination components are commonly used to terminate devices such as couplers, circulators, and switches. They are also widely used in measurement systems to ensure accurate results. Pasternack offers a huge selection of RF, microwave and millimeter wave terminations up to 65 GHz with excellent performance over the entire operating range and power handling capabilities up to 800 Watt (CW).

Electrical Specifications

| Description | Minimum | Typical | Maximum | Units |
|---|---------|---------|---------|-------|
| Frequency Range | DC | | 3 | GHz |
| Impedance | | 50 | | Ohms |
| VSWR | | | 1.2:1 | |
| Input Power (CW) derated linearly to 20W at +125°C | | | 100 | Watts |

Mechanical Specifications

| Size | |
|--------|---------------------|
| Length | 6.3 in [160.02 mm] |
| Width | 4.72 in [119.89 mm] |
| Height | 3.54 in [89.92 mm] |
| Weight | 3.36 lbs [1.52 Kg] |

Click the following link (or enter part number in "SEARCH" on website) to obtain additional part information including price, inventory and certifications: [High Power 100 Watt RF Load Up to 3 GHz With 7/16 DIN Male Input Conduction Cooled Body Black Anodized Aluminum Heatsink PE6197](#)





High Power 100 Watt RF Load Up to 3 GHz With
 7/16 DIN Male Input Conduction Cooled Body Black
 Anodized Aluminum Heatsink

RF Terminations Technical Data Sheet

PE6197

Configuration

Connector 7/16 DIN Male
 Hex Size 32 mm

Material Specifications

| Description | Material | Plating |
|---------------------|----------------------------------|-----------|
| Connector 1 Contact | Brass | Silver |
| Insulation | PTFE | |
| Body | Brass | Tri-Metal |
| Coupling Nut | Brass | Tri-Metal |
| Housing | Black Anodized Aluminum Heatsink | |

Environmental Specifications

Temperature

Operating Range -45 to +125 deg C

Compliance Certifications (visit www.Pasternack.com for current document)

RoHS Compliant
 REACH Compliant 12/17/2015

Plotted and Other Data

Notes:

High Power 100 Watt RF Load Up to 3 GHz With 7/16 DIN Male Input Conduction Cooled Body Black Anodized Aluminum Heatsink from Pasternack Enterprises has same day shipment for domestic and International orders. Our RF, microwave and millimeter wave products maintain a 99% availability and are part of the broadest selection in the industry.

Click the following link (or enter part number in "SEARCH" on website) to obtain additional part information including price, inventory and certifications: [High Power 100 Watt RF Load Up to 3 GHz With 7/16 DIN Male Input Conduction Cooled Body Black Anodized Aluminum Heatsink PE6197](http://www.Pasternack.com/100-watts-7-16-male-rf-load-up-to-3-ghz-pe6197-p.aspx)

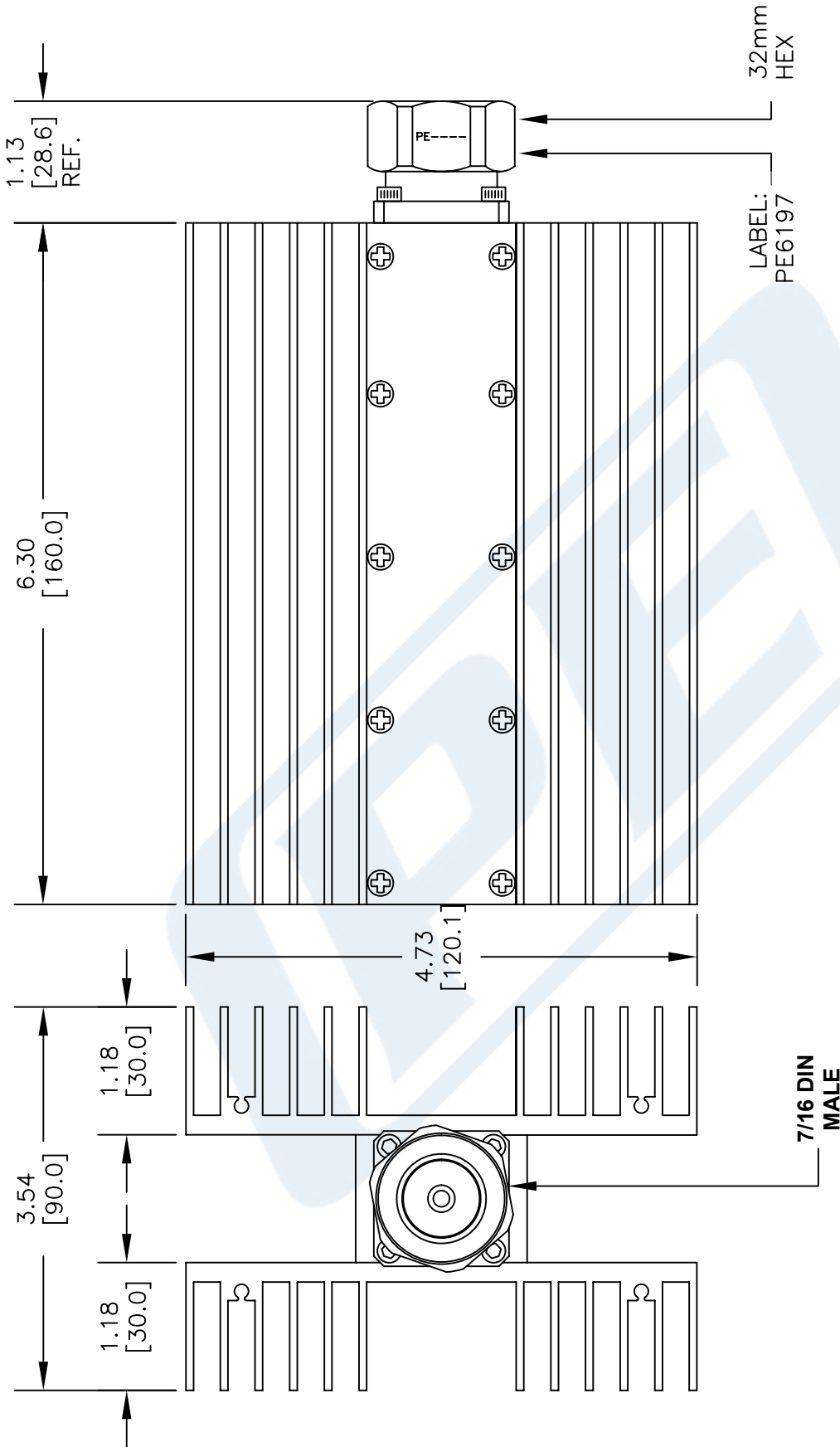
URL: <http://www.pasternack.com/100-watts-7-16-male-rf-load-up-to-3-ghz-pe6197-p.aspx>

The information contained in this document is accurate to the best of our knowledge and representative of the part described herein. It may be necessary to make modifications to the part and/or the documentation of the part, in order to implement improvements. Pasternack reserves the right to make such changes as required. Unless otherwise stated, all specifications are nominal. Pasternack does not make any representation or warranty regarding the suitability of the part described herein for any particular purpose, and Pasternack does not assume any liability arising out of the use of any part or documentation.



PE6197 CAD Drawing

High Power 100 Watt RF Load Up to 3 GHz With 7/16 DIN Male Input
Conduction Cooled Body Black Anodized Aluminum Heatsink



STANDARD TOLERANCES

DECIMAL ±0.20
.XX ±0.10
.XXX ±0.10

*STANDARD TOLERANCES APPLY ONLY TO DIMENSIONS IN INCHES



Pasternack Enterprises, Inc.
P.O. Box 16759 | Irvine | CA | 92623
Phone: (949) 261-1920 | Fax: (949) 261-7451
Website: www.pasternack.com | E-Mail: sales@pasternack.com

DWG TITLE

PE6197

FSCM NO. 53919

NOTES:
1. UNLESS OTHERWISE SPECIFIED ALL DIMENSIONS ARE NOMINAL.
2. ALL SPECIFICATIONS ARE SUBJECT TO CHANGE WITHOUT NOTICE AT ANY TIME.
3. DIMENSIONS ARE IN INCHES [mm].

CAD FILE 060816

SCALE N/A

SIZE A

3045